



Project Name:
Type:

Environmental Lighting for Architecture, Inc.

Turnberry - TBY HID Ordering Matrix

Turnberry

The Turnberry is a traditional six-sided fixture. The Turnberry has been installed in a multitude of sites throughout the United States, Canada and the world; including shopping malls, parking lots, government buildings, schools, libraries and many others. Designed with a tapered curved hood, the Turnberry is available in up to 400 watts of HID. With its classic style, superior quality, and high performance standards; the Turnberry is a perfect solution to many lighting applications.





Project Name:
Type:

Turnberry - TBY HID Ordering Matrix

Environmental Lighting for Architecture, Inc.

1	2	3	4	5	6	7	8	9
TBY								

1. Fixture: Matrix #: Description:
TBY Turnberry Fixture

2. Size: Matrix #: Weight: EPA:
22 42 lbs. 1.5

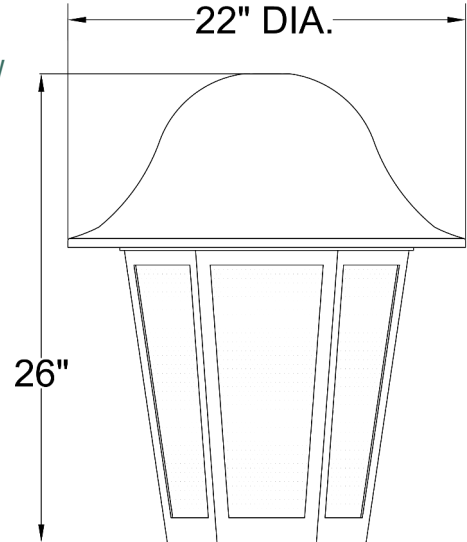
3. Mounting: Matrix #: Description:
CR* Cross Arm
PT* Post Top
BR* Wall Bracket
CP Chain Pendant
SP Stem Pendant
PM Pier Mount

*Specify which Cross Arm, Pole, or Wall Bracket is to be used. See ELA website for choices.

4. Distribution: Matrix #: Description:
H3 Type 3 - Horizontal
Horizontal **H5** Type 5 - Horizontal
Vertical **V3*** Type 3 - Vertical
V5 Type 5 - Vertical

* Requires prismatic refractor.

TBY/22
Horizontal Max: 250W
Vertical Max: 400W



5. Lamping: Description: Pulse Start Metal Halide (Watts/Type)
Matrix #: **50PSMH**
70PSMH
100PSMH
150PSMH
200PSMH
250PSMH
320PSMH*
350PSMH*
400PSMH*

1. Electronic ballast available for 50, 70, 100, and 150 watt MH lamps.

2. Other wattages and ballasts available. Consult factory.

* Vertical Distribution ONLY

Description: Metal Halide (Watts/Type)
Matrix #: **50MH**
70MH
T6 70MH
100MH
T6 150MH

Description: High Pressure Sodium (Watts/Type)
Matrix #: **50HPS**
70HPS
100HPS
150HPS
250HPS

Description: Incandescent
Matrix #: **INC***

*Note: Incandescent socket supplied will be E26 Medium-Base (suitable for lamping by others), unless otherwise specified.

6. Voltage: Matrix #: Description:
120 120VAC
208 208VAC
240 240VAC
277 277VAC
347 347VAC
480 480VAC

7. Lens: Matrix #: Description:
CA* Clear Acrylic
CP* Clear Polycarbonate
CG Clear Glass
FA* Frosted Acrylic
FP* Frosted Polycarbonate
FG Frosted Glass
OA* Opal Acrylic
OG Opal Glass
SA* Seedy Acrylic
SG Seedy Glass
HCG* Horizontal Clear Flat Glass (Tempered)
HFG* Horizontal Frosted Flat Glass (Tempered)

* 150 Watt maximum wattage

8. Finish: Matrix #: Description:
(Standard Powder Coat)
AG Augustine Green
CC Charcoal
DB Dark Bronze
GY Architectural Grey
MG Malaga Green
MN Black - Midnight
PW Pewter
SB Statuary Bronze
VL Village Green
WH White

Note: Custom colors available upon request.

9. Options: Matrix #: Description:
BBU Battery Backup
PCB Photocell Button
TB Terminal Block
PCR3* 3 Pin Photo Control Receptacle
PCR5* 5 Pin Photo Control Receptacle
PCF7* 7 Pin Photo Control Receptacle
HSS House Side Shield

1. BBU test button location shall have visibility for testing on site. Consult factory for placement location.

2. ELA Can integrate client specified Wifi /remote control components upon request.

* See ELA for mounting options.

ELA Warranty Info: Environmental Lighting for Architecture, Inc. (ELA) offers a Five (5) Year Warranty on all products exclusively manufactured by ELA. Furthermore, ELA offers a Five (5) Year Warranty on all LED and LED components; and guarantees that no fewer than 90% of the diodes in each fixture will still be operating during this time. Please contact ELA for the details of each warranty.