



Project Name:	
Type:	

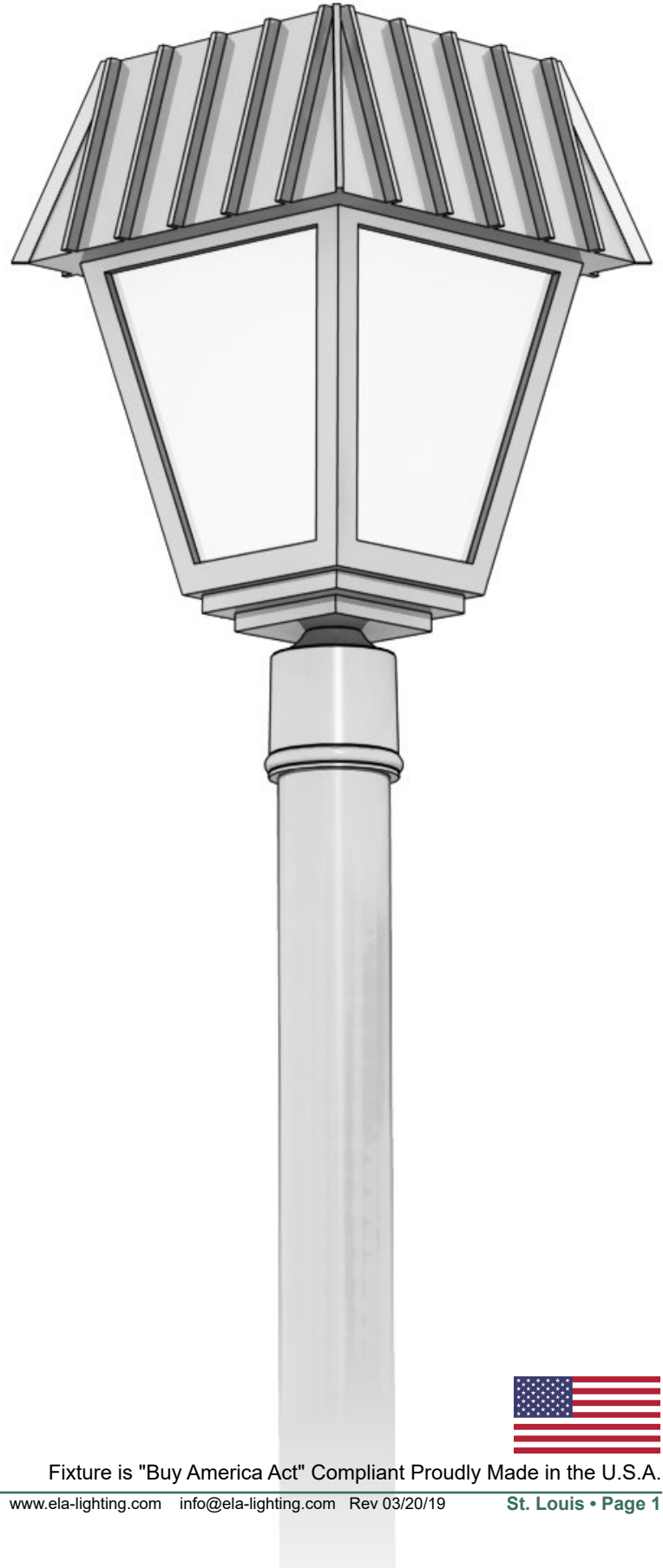
Environmental Lighting for Architecture, Inc.

St. Louis - STL

LED Ordering Matrix

St. Louis

The St. Louis has been a staple in ELA's line of decorative site lighting for many years. Available in various mounting styles, this traditional design will fulfill the design requirements for many of today's lighting applications. Suitable for pole, cross arm, wall mounting or surface mounting conditions, the St. Louis is the perfect solution for many shopping malls, parking lots, site and walkway lighting, museums, schools, libraries, theaters, and roadways. Available with a maximum 69 watt LED while still maintaining excellent light output.



Fixture is "Buy America Act" Compliant Proudly Made in the U.S.A.



Project Name: _____
 Type: _____

St. Louis - STL LED Ordering Matrix

Environmental Lighting for Architecture, Inc.

1 / 2 / 3 / 4 / 5 / 6 / 7 / 8 / 9

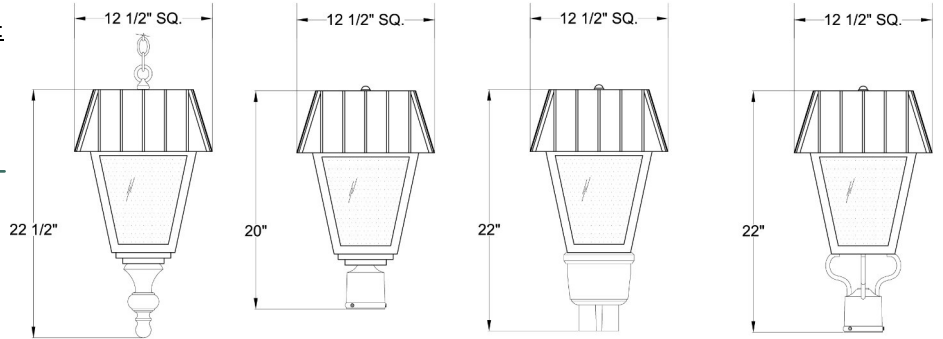
STL / [] / [] / [] / [] / [] / [] / [] / []

1. Fixture: Matrix #: **STL** Description: **St. Louis**

2. Size: Matrix #: **12BH** Weight: 22 lbs. EPA: 1.1
12DM 20 lbs. 1.0
12CF 22 lbs. 1.0
12PD 23 lbs. 0.9

3. Mounting: Matrix #: **PD** Description: **Pendant**
ST* Step Housing
BH* Ballast Housing
CF* Convex Fork

*Specify which pole is to be used. See ELA website for choices.



STL/12PD
Horizontal: 69W
Vertical: 54W

STL/12ST
Horizontal: 69W
Vertical: 54W

STL/12BH
Horizontal: 69W
Vertical: 54W

STL/12CF
Horizontal: 69W
Vertical: 54W

4. Distribution: Matrix #: **H2** Description: **Type 2 - Horizontal**
H3 Type 3 - Horizontal
H4 Type 4 - Horizontal
H5 Type 5 - Horizontal
 Horizontal
V3* Type 3 - Vertical
V5* Type 5 - Vertical
 Vertical

5. Lamping:

	Matrix #:	Description:	Diodes	Lumens*	Wattage*	Efficacy	LED Drive (mA)	Standard Dimming Type**
Horizontal	35LED	LED Board	24	3360	35	96	292	1-10VDC, Triac, Forward Phase
	50LED	LED Board	56	4800	50	96	417	1-10VDC, Triac, Forward Phase
	69LED	LED Board	56	6624	69	96	575	1-10VDC, Triac, Forward Phase
Vertical	18LED	LED Corn Cob	56	1980	18	110	150	Line Voltage On-Board Transformer
	27LED	LED Corn Cob	81	2970	27	110	225	Line Voltage On-Board Transformer
	36LED	LED Corn Cob	108	3960	36	110	300	Line Voltage On-Board Transformer
	45LED	LED Corn Cob	135	4950	45	110	375	Line Voltage On-Board Transformer
	54LED	LED Corn Cob	135	5940	54	110	450	Line Voltage On-Board Transformer

*Other wattages & lumens available upon request.

**Other dimming types available upon request.

6. Color Temps (K): Matrix #: **AM*** Description: **Amber Color Temp**
27 2700k Color Temp
30 3000k Color Temp
40 4000k Color Temp
50 5000k Color Temp
 Note: Other color temperatures & RGB's available upon request.
 *Amber not available in corn cobs.

7. Voltage: Matrix #: **120** Description: **120VAC**
208 208VAC
240 240VAC
277 277VAC
347* 347VAC
480* 480VAC
 *Contact ELA for details.

8. Lens:

Matrix #:	Description:	Matrix #:	Description:
CG	Clear Glass	SG	Seedy Glass
CA	Clear Acrylic	SA	Seedy Acrylic
CP	Clear Polycarbonate	HCG*	Horizontal Clear Glass
FG	Frosted Glass	HFG*	Horizontal Frosted Glass
FA	Frosted Acrylic		
FP	Frosted Polycarbonate		

* Fits HORIZONTAL Lamping options ONLY

9. Finish: (Standard Powder Coat)

Matrix #:	Description:	Matrix #:	Description:
AG	Augustine Green	MN	Black - Midnight
CC	Charcoal	PW	Pewter
DB	Dark Bronze	SB	Statuary Bronze
GY	Architectural Grey	VL	Village Green
MG	Malaga Green	WH	White

Note: Custom colors available upon request.

10. Options:

- | | Matrix #: | Description: |
|--|--------------|--------------------------------|
| 1. BBU test button location shall have visibility for testing on site. Consult factory for placement location. | BBU** | Battery Backup |
| 2. BBU LED lumen output reduced in BBU mode. | PCB | Photocell Button |
| 3. ELA Can integrate client specified wifi /remote control components upon request. | PCR3* | 3 Pin Photo Control Receptacle |
| | PCR5* | 5 Pin Photo Control Receptacle |
| | PCF7* | 7 Pin Photo Control Receptacle |
| | HSS | House Side Shield |

* See ELA for mounting options.
 ** Size 18 and Horizontal LED Option ONLY.

ELA Warranty Info: Environmental Lighting for Architecture, Inc. (ELA) offers a Five (5) Year Warranty on all products exclusively manufactured by ELA. Furthermore, ELA offers a Five (5) Year Warranty on all LED and LED components; and guarantees that no fewer than 90% of the diodes in each fixture will still be operating during this time. Please contact ELA for the details of each warranty.