



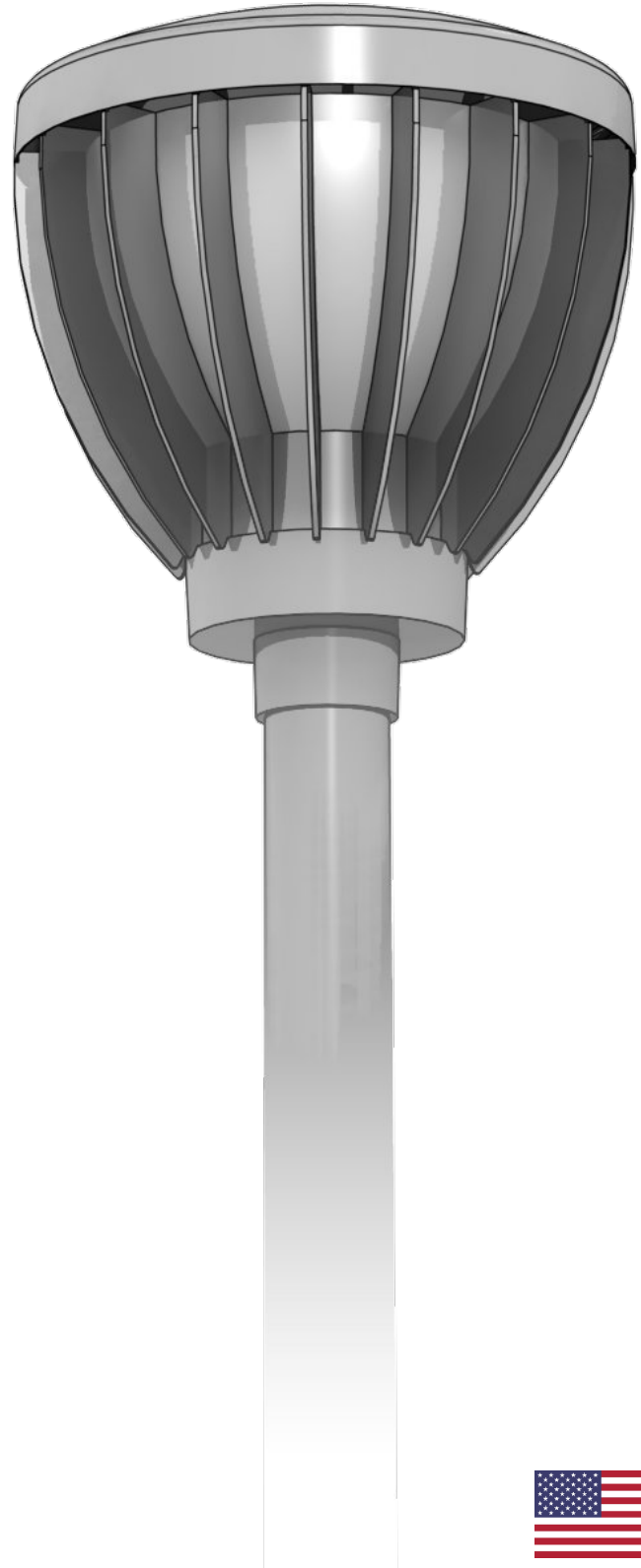
Project Name:
Type:

Environmental Lighting for Architecture, Inc.

## Parkside - PRK HID Ordering Matrix

# Parkside

The Parkside is ELA's "pumpkin fixture"; which is available in two sizes. Designed to be extremely vandal resistant, the Parkside can be mounted on a pole, cross arm; or be wall mounted. The Parkside is able to generate up to 250 watts in HID. Designed to be very durable while supplying low energy consumption light output. The Parkside is often specified for parking lots, shopping malls, parks, site and walkway lighting, schools, libraries, and much more.



Fixture is "Buy America Act" Compliant Proudly Made in the U.S.A.



Project Name: \_\_\_\_\_  
 Type: \_\_\_\_\_

# Parkside - PRK HID Ordering Matrix

Environmental Lighting for Architecture, Inc.

1 / 2 / 3 / 4 / 5 / 6 / 7 / 8 / 9  
**PRK** / [ ] / [ ] / [ ] / [ ] / [ ] / [ ] / [ ] / [ ]

**1. Fixture:** Matrix #: **PRK** Description: Parkside Fixture

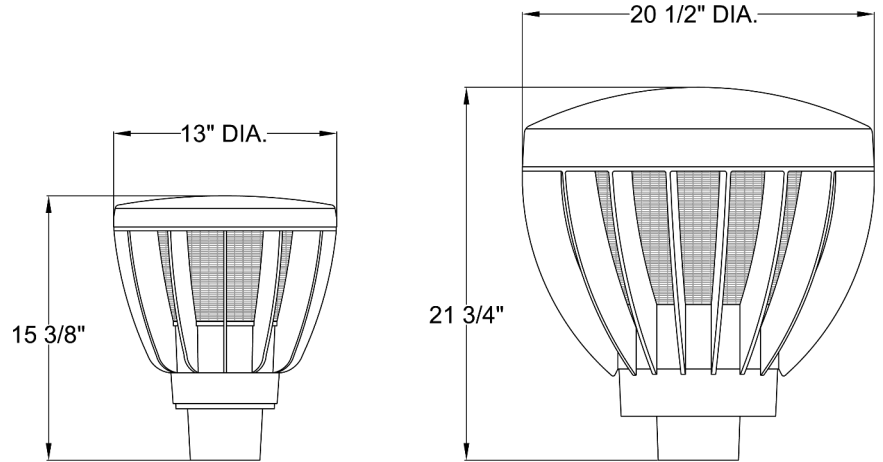
**2. Size:** Matrix #: **13** Weight: 40 lbs. EPA: 0.7  
 Matrix #: **21** Weight: 55 lbs. EPA: 1.5

**3. Mounting:** Matrix #: **CR\*** Description: Cross arm  
 Matrix #: **PT\*** Description: Post Top  
 Matrix #: **BR\*** Description: Wall Bracket  
 Matrix #: **CP** Description: Chain Pendant  
 Matrix #: **SP** Description: Stem Pendant

\*Specify which Cross arm, Pole, or Wall Bracket is to be used. See ELA website for choices.

**4. Distribution:** Matrix #: **V3** Description: Type 3 - Vertical  
 Matrix #: **V5** Description: Type 5 - Vertical

Note: All lenses are prismatic



**PRK/13**  
Vertical Max: 150W

**PRK/21**  
Vertical Max: 250W

5. Lamping:	Description:	Description:	Description:	Description:
	Pulse Start Metal Halide (Watts/Type)	Metal Halide (Watts/Type)	High Pressure Sodium (Watts/Type)	Incandescent
	Matrix #: <b>50PSMH</b> <b>70PSMH</b> <b>100PSMH</b> <b>150PSMH</b> <b>200PSMH</b> <b>250PSMH</b>	Matrix #: <b>T6 39MH</b> <b>50MH</b> <b>70MH</b> <b>T6 70MH</b> <b>100MH</b> <b>T6 150MH</b>	Matrix #: <b>50HPS</b> <b>70HPS</b> <b>100HPS</b> <b>150HPS</b> <b>250HPS</b>	Matrix #: <b>INC*</b>

1. Electronic ballast available for 50, 70, 100, and 150 watt MH lamps.

2. Other wattages and ballasts available. Consult factory.

\*Note: Incandescent socket supplied will be E26 Medium-Base (suitable for lamping by others), unless otherwise specified.

**6. Voltage:**

Matrix #:	Description:
<b>120</b>	120VAC
<b>208</b>	208VAC
<b>240</b>	240VAC
<b>277</b>	277VAC
<b>347</b>	347VAC
<b>480</b>	480VAC

**7. Lens:**

Matrix #:	Description:
<b>CA</b>	Clear Prismatic Acrylic Lens

**9. Options:**

Matrix #:	Description:
<b>BBU</b>	Battery Backup
<b>PCB</b>	Photocell Button
<b>TB</b>	Terminal Block
<b>PCR3*</b>	3 Pin Photo Control Receptacle
<b>PCR5*</b>	5 Pin Photo Control Receptacle
<b>PCF7*</b>	7 Pin Photo Control Receptacle
<b>HSS</b>	House Side Shield

1. BBU test button location shall have visibility for testing on site. Consult factory for placement location.

2. ELA Can integrate client specified Wifi /remote control components upon request.

\* See ELA for mounting options.

**8. Finish:** (Standard Powder Coat)

Matrix #:	Description:
<b>AG</b>	Augustine Green
<b>CC</b>	Charcoal
<b>DB</b>	Dark Bronze
<b>GY</b>	Architectural Grey
<b>MG</b>	Malaga Green
<b>MN</b>	Black - Midnight
<b>PW</b>	Pewter
<b>SB</b>	Statuary Bronze
<b>VL</b>	Village Green
<b>WH</b>	White

Note: Custom colors available upon request.

**ELA Warranty Info:** Environmental Lighting for Architecture, Inc. (ELA) offers a Five (5) Year Warranty on all products exclusively manufactured by ELA. Furthermore, ELA offers a Five (5) Year Warranty on all LED and LED components; and guarantees that no fewer than 90% of the diodes in each fixture will still be operating during this time. Please contact ELA for the details of each warranty.