



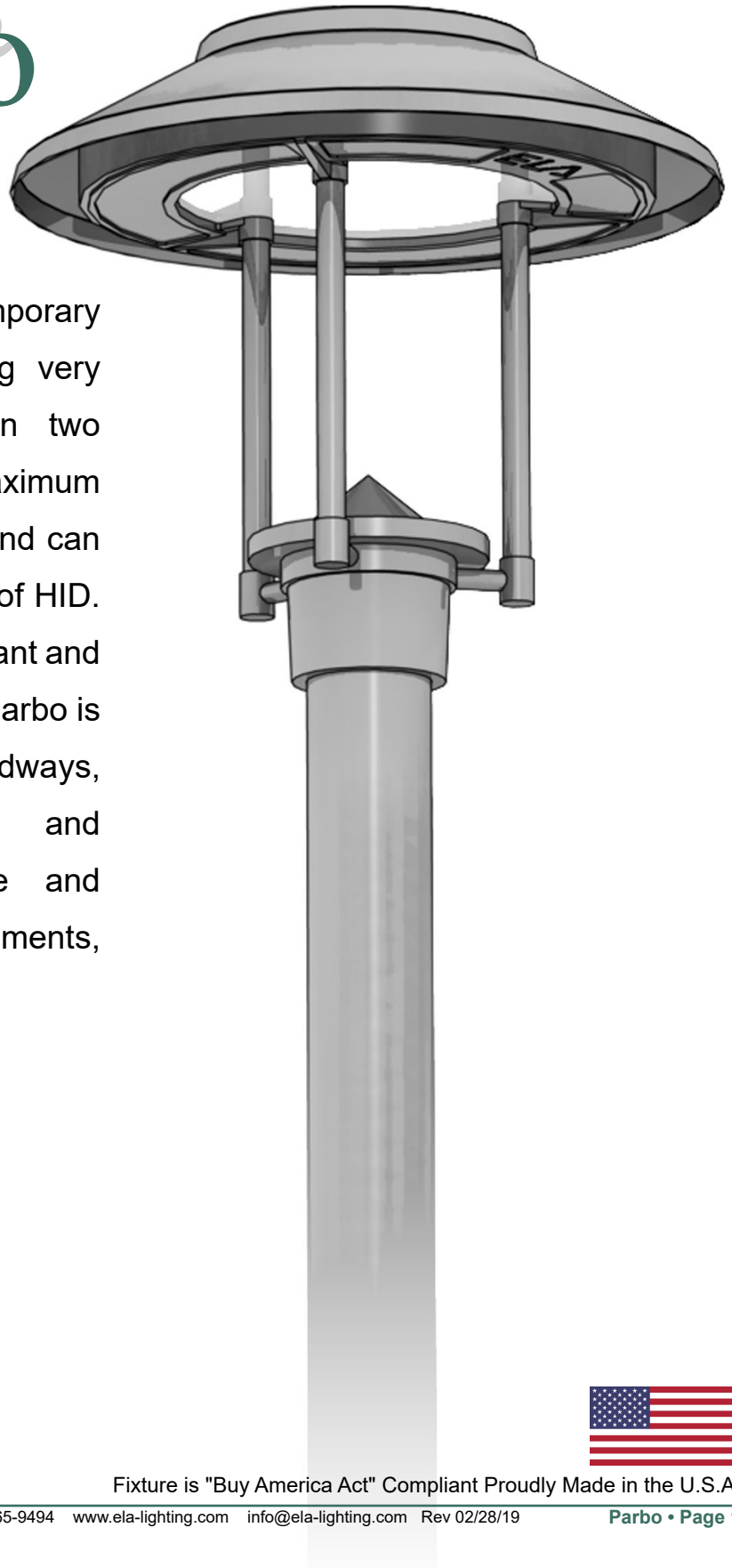
Project Name:
Type:

Environmental Lighting for Architecture, Inc.

# Parbo - PAR HID Ordering Matrix

# Parbo

The Parbo offers a contemporary decorative look while generating very good performance. Available in two sizes, the Parbo produces maximum downlight with full cut-off optics and can be provided with up to 400 watts of HID. Suitable for pole, cross arm, pendant and wall mounted specifications; the Parbo is a great specification for roadways, shopping centers, schools and universities, parking lots, site and walkway lighting, housing developments, and much more.



Fixture is "Buy America Act" Compliant Proudly Made in the U.S.A.



Project Name:
Type:

# Parbo - PAR HID Ordering Matrix

Environmental Lighting for Architecture, Inc.

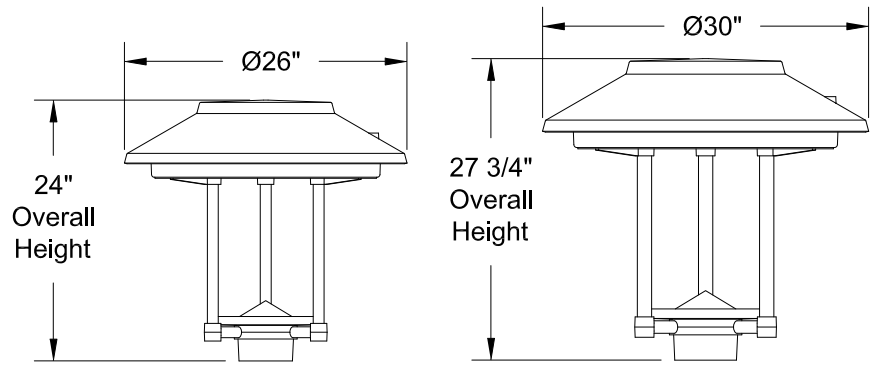
1	2	3	4	5	6	7	8	9
PAR								

**1. Fixture:**      Matrix #:      Description:  
**PAR**              **PAR**              Parbo Fixture

**2. Size:**              Matrix #:              Weight:              EPA:  
**26**                      38 lbs.                  1.5  
**30**                      44 lbs.                  1.7

**3. Mounting:**      Matrix #:              Description:  
**CR\***                      Cross Arm  
**PT\***                      Post Top  
**BR\***                      Wall Bracket  
**CP**                        Chain Pendant  
**SP**                        Stem Pendant  
**PM**                        Pier Mount

\*Specify which Cross Arm, Pole, or Wall Bracket is to be used. See ELA website for choices.



**PAR/26**

**PAR/30**

**4. Distribution:**    Matrix #:              Description:  
Horizontal Only    **H2**                      Type 2 - Horizontal  
                             **H3**                      Type 3 - Horizontal  
                             **H4**                      Type 4 - Horizontal  
                             **H5**                      Type 5 - Horizontal

**Plan Views**  
2 Fixtures

<p><b>5. Lamping:</b>      <u>Description:</u>      Pulse Start Metal Halide (Watts/Type)</p> <p><u>Matrix #:</u>          <b>50PSMH</b>  <b>70PSMH</b>  <b>100PSMH</b>  <b>150PSMH</b>  <b>175PSMH</b>  <b>200PSMH</b>  <b>250PSMH</b>■  <b>400PSMH</b>■</p> <p>1. Electronic ballast available for 50, 70, 100, 150, 200, and 250 watt MH lamps.  2. Other wattages and ballasts available. Consult factory.  ■ Fits PAR/30 only.</p>	<p><u>Description:</u>      Metal Halide (Watts/Type)</p> <p><u>Matrix #:</u>          <b>50MH</b>  <b>70MH</b>  <b>T6 70MH</b>  <b>100MH</b>  <b>T6 150MH</b>  <b>250MH</b>■  <b>400MH</b>■</p>	<p><u>Description:</u>      High Pressure Sodium (Watts/Type)</p> <p><u>Matrix #:</u>          <b>50HPS</b>  <b>70HPS</b>  <b>100HPS</b>  <b>150HPS</b>  <b>250HPS</b>■  <b>400HPS</b>■</p>	<p><u>Description:</u>      Incandescent</p> <p><u>Matrix #:</u>          <b>INC*</b></p> <p>*Note: Incandescent socket supplied will be E26 Medium-Base (suitable for lamping by others), unless otherwise specified.</p>
---	--	---	--

**6. Voltage:**              Matrix #:              Description:  
**120**                      120VAC  
**208**                      208VAC  
**240**                      240VAC  
**277**                      277VAC  
**347**                      347VAC  
**480**                      480VAC

**7. Lens:**                      Matrix #:              Description:  
**CA\***                      Clear Acrylic  
**FA\***                      Frosted Acrylic  
**CG\***                      Clear Tempered Glass  
**FG\***                      Frosted Tempered Glass

\*Full Cut-Off compliant.

**8. Finish:**                      (Standard Powder Coat)      Matrix #:              Description:  
**AG**                      Augustine Green  
**CC**                      Charcoal  
**DB**                      Dark Bronze  
**GY**                      Architectural Grey  
**MG**                      Malaga Green  
**MN**                      Black - Midnight  
**PW**                      Pewter  
**SB**                      Statuary Bronze  
**VL**                      Village Green  
**WH**                      White

Note: Custom colors available upon request.

**9. Options:**                      Matrix #:              Description:  
**BBU**                      Battery Backup  
**PCB**                      Photocell Button  
**TB**                        Terminal Block  
**PCR3\***                  3 Pin Photo Control Receptacle  
**PCR5\***                  5 Pin Photo Control Receptacle  
**PCF7\***                  7 Pin Photo Control Receptacle  
**HSS**                      House Side Shield

1. BBU test button location shall have visibility for testing on site. Consult factory for placement location.

2. ELA Can integrate client specified wifi /remote control components upon request.

\* See ELA for mounting options.

**ELA Warranty Info:** Environmental Lighting for Architecture, Inc. (ELA) offers a Five (5) Year Warranty on all products exclusively manufactured by ELA. Furthermore, ELA offers a Five (5) Year Warranty on all LED and LED components; and guarantees that no fewer than 90% of the diodes in each fixture will still be operating during this time. Please contact ELA for the details of each warranty.