



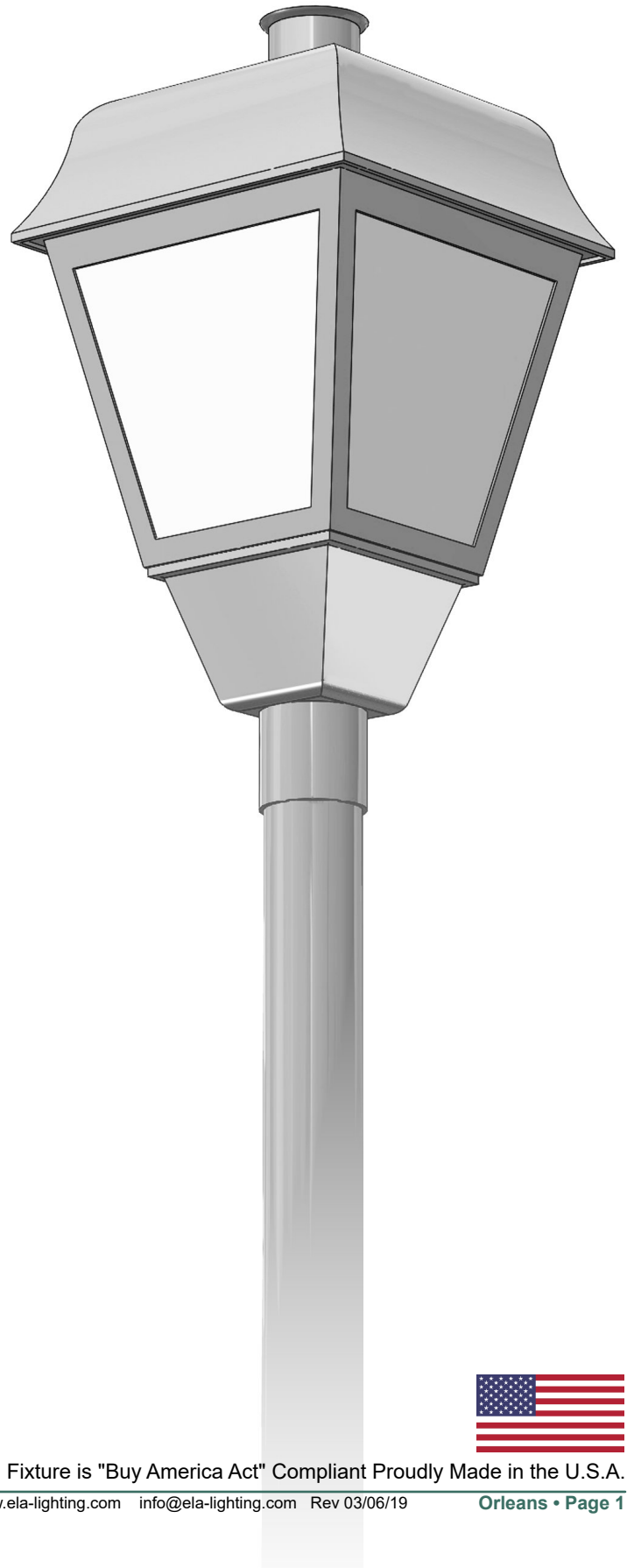
Project Name:
Type:

Environmental Lighting for Architecture, Inc.

# Orleans - ORL HID Ordering Matrix

## Orleans

The Orleans is a traditional 4-sided lantern with a smooth, tapered hood and an optional faux decorative chimney; while generating up to 250 watts of HID power. The Orleans, which can be provided with several styles of side lenses or no side lenses for full cut-off optics, is often specified for court houses, museums, historical sites, piers and harbors, parking lots, site and walkway lighting, and much more.



Fixture is "Buy America Act" Compliant Proudly Made in the U.S.A.



Project Name:
Type:

# Orleans - ORL HID Ordering Matrix

Environmental Lighting for Architecture, Inc.

1	2	3	4	5	6	7	8	9
ORL								

**1. Fixture:**      Matrix #:      Description:  
**ORL**                      Orleans Fixture

**2. Size:**              Matrix #:      Weight:      EPA:  
**18**                      48 lbs.              2.4

**3. Mounting:**      Matrix #:      Description:  
**CA\***                      Cross Arm  
**WB\***                      Wall Bracket  
**CP**                        Chain Pendant  
**SP**                        Stem Pendant  
**PT\***                      Post Top  
**PM\***                      Pier Mount

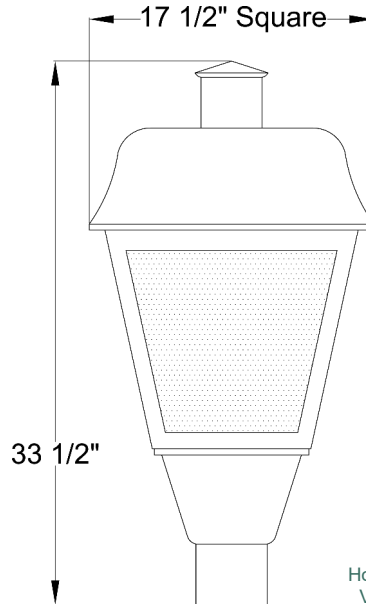
\*Specify which ELA product is to be used. See ELA website for choices.

**4. Distribution:**      Matrix #:      Description:  
**V3\***                      Type 3 - Vertical  
**V5**                      Type 5 - Vertical  
Horizontal      **H2**                      Type 2 - Horizontal  
**H3**                      Type 3 - Horizontal  
**H4**                      Type 4 - Horizontal  
**H5**                      Type 5 - Horizontal

1. Vertical optics fit a mogul base socket.

2. Horizontal only uses a medium base socket, unless otherwise specified.

\* Glass refractor required.



**ORL / 18**  
Horizontal Max: 250W  
Vertical Max: 250W

<b>5. Lamping:</b> <u>Description:</u> Pulse Start Metal Halide (Watts/Type)  <u>Matrix #:</u> <b>50PSMH</b> <b>70PSMH</b> <b>100PSMH</b> <b>150PSMH</b> <b>175PSMH</b> <b>200PSMH</b> <b>250PSMH</b>  1. Electronic ballast available for 50, 70, 100, and 150 watt MH lamps. 2. Other wattages and ballasts available. Consult factory.	<u>Description:</u> Metal Halide (Watts/Type)  <u>Matrix #:</u> <b>50MH</b> <b>70MH</b> <b>T6 70MH</b> <b>100MH</b> <b>T6 150MH</b>	<u>Description:</u> High Pressure Sodium (Watts/Type)  <u>Matrix #:</u> <b>50HPS</b> <b>70HPS</b> <b>100HPS</b> <b>150HPS</b> <b>200HPS</b> <b>250HPS</b>	<u>Description:</u> Incandescent  <u>Matrix #:</u> <b>INC*</b>  *Note: Incandescent socket supplied will be E26 Medium-Base (suitable for lamping by others), unless otherwise specified.

**6. Voltage:**

<u>Matrix #:</u>	<u>Description:</u>
<b>120</b>	120VAC
<b>208</b>	208VAC
<b>240</b>	240VAC
<b>277</b>	277VAC
<b>347</b>	347VAC
<b>480</b>	480VAC

**7. Lens:**

<u>Matrix #:</u>	<u>Description:</u>	<u>Matrix #:</u>	<u>Description:</u>
<b>CG**</b>	Clear Glass	<b>SG</b>	Seedy Glass
<b>CA*</b>	Clear Acrylic	<b>SA*</b>	Seedy Acrylic
<b>CP*</b>	Clear Polycarbonate	<b>HCG**</b>	Horizontal Clear Glass
<b>FG**</b>	Frosted Glass	<b>HFG**</b>	Horizontal Frosted Glass
<b>FA*</b>	Frosted Acrylic		
<b>FP*</b>	Frosted Polycarbonate		

\* 50W Max Wattage  
\*\* Tempered Glass Lens panel

**8. Finish:**  
(Standard Powder Coat)

<u>Matrix #:</u>	<u>Description:</u>
<b>AG</b>	Augustine Green
<b>CC</b>	Charcoal
<b>DB</b>	Dark Bronze
<b>GY</b>	Architectural Grey
<b>MG</b>	Malaga Green
<b>MN</b>	Black - Midnight
<b>PW</b>	Pewter
<b>SB</b>	Statuary Bronze
<b>VL</b>	Village Green
<b>WH</b>	White

Note: Custom colors available upon request.

**9. Options:**

<u>Matrix #:</u>	<u>Description:</u>
<b>BBU</b>	Battery Backup
<b>PCB</b>	Photocell Button
<b>TB</b>	Terminal Block
<b>PCR3*</b>	3 Pin Photo Control Receptacle
<b>PCR5*</b>	5 Pin Photo Control Receptacle
<b>PCF7*</b>	7 Pin Photo Control Receptacle
<b>HSS</b>	House Side Shield

1. BBU test button location shall have visibility for testing on site. Consult factory for placement location.  
2. ELA Can integrate client specified Wifi /remote control components upon request.  
\* See ELA for mounting options.

**ELA Warranty Info:** Environmental Lighting for Architecture, Inc. (ELA) offers a Five (5) Year Warranty on all products exclusively manufactured by ELA. Furthermore, ELA offers a Five (5) Year Warranty on all LED and LED components; and guarantees that no fewer than 90% of the diodes in each fixture will still be operating during this time. Please contact ELA for the details of each warranty.