



Project Name:
Type:

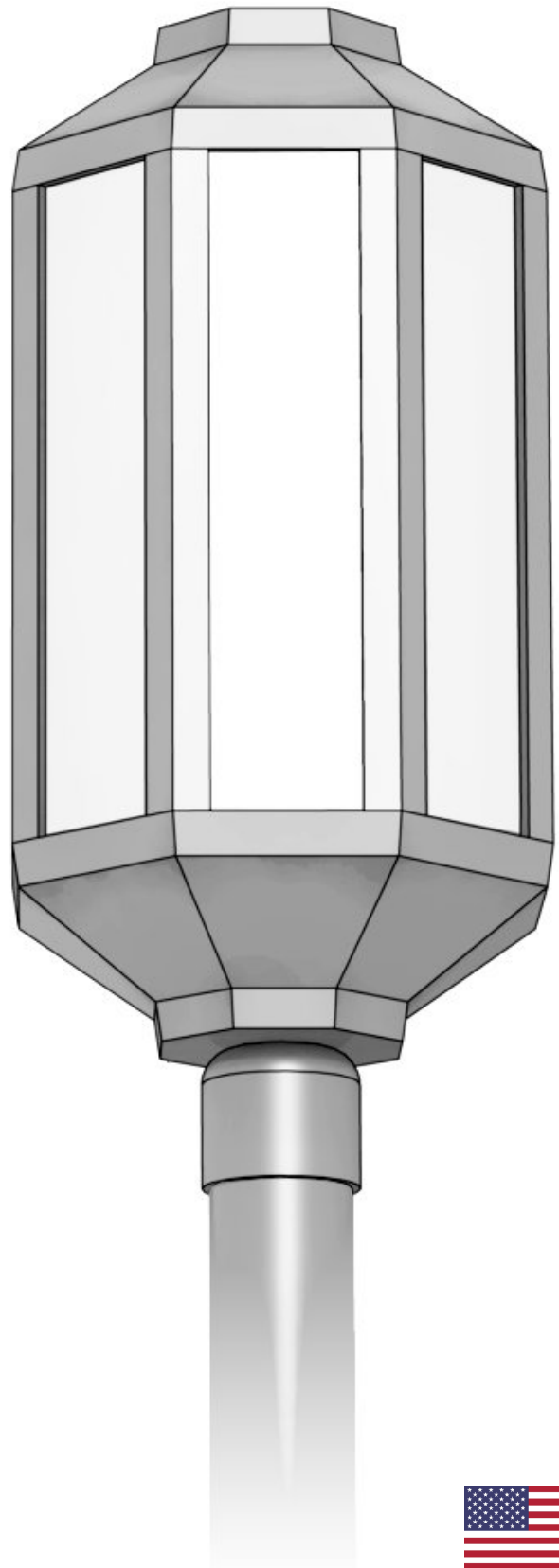
Environmental Lighting for Architecture, Inc.

Miramar - MIR

LED Ordering Matrix

Miramar

The Miramar is a contemporary, eight-sided luminaire that offers several mounting styles and many lens options. A regular in ELA's line for years, this timeless design is suitable for pole, pier mount, cross arm, wall or ceiling mounted applications. The Miramar is a perfect fit for shopping malls, decorative street lighting, parking lots, government buildings, site and walkway lighting, schools, libraries, high-end residential applications, and much more. Available with up to 120 watts of LED power sources the Miramar is the perfect solution for a full array of lighting applications.



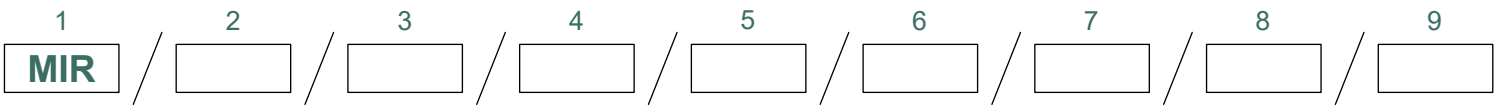
Fixture is "Buy America Act" Compliant Proudly Made in the U.S.A.



Project Name: _____
 Type: _____

Miramar - MIR LED Ordering Matrix

Environmental Lighting for Architecture, Inc.



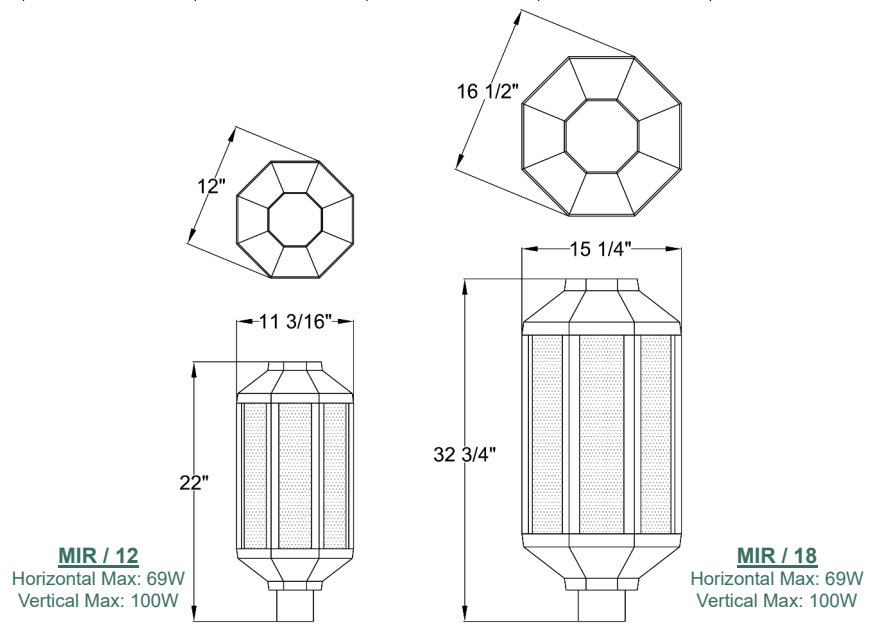
1. Fixture:	<u>Matrix #:</u> MIR	<u>Description:</u> Miramar Fixture
--------------------	--------------------------------	--

2. Size:	<u>Matrix #:</u> 12	<u>Weight:</u> 30 lbs.	<u>EPA:</u> 1.0
	15	40 lbs.	1.8

3. Mounting:	<u>Matrix #:</u> CA*	<u>Description:</u> Cross Arm
	WB*	Wall Bracket
	CP	Chain Pendant
	SP	Stem Pendant
	PT*	Post Top
	PM*	Pier Mount

*Specify which ELA product is to be used. See ELA website for choices.

4. Distribution:	<u>Matrix #:</u> H2	<u>Description:</u> Type 2 - Horizontal	
	H3	Type 3 - Horizontal	
	H4	Type 4 - Horizontal	
	H5	Type 5 - Horizontal	
	Horizontal	V3	Type 3 - Vertical
	Vertical	V5	Type 5 - Vertical



MIR / 12
Horizontal Max: 69W
Vertical Max: 100W

MIR / 18
Horizontal Max: 69W
Vertical Max: 100W

5. Lamping:	<u>Matrix #:</u>	<u>Description:</u>	<u>Diodes</u>	<u>Lumens*</u>	<u>Wattage*</u>	<u>Efficacy</u>	<u>LED Drive (mA)</u>	<u>Standard Dimming Type**</u>
Horizontal	35LED	LED Board	24	3360	35	96	292	1-10VDC, Triac, Forward Phase
	50LED	LED Board	56	4800	50	96	417	1-10VDC, Triac, Forward Phase
	69LED	LED Board	56	6624	69	96	575	1-10VDC, Triac, Forward Phase
	101LED*	LED Board	100	9696	101	96	842	1-10VDC, Triac, Forward Phase
Vertical	27LED	LED Corn Cob	81	2970	27	110	275	Line Voltage On-Board Transformer
	45LED	LED Corn Cob	135	4950	45	110	375	Line Voltage On-Board Transformer
	80LED	LED Corn Cob	234	8800	80	110	667	Line Voltage On-Board Transformer
	100LED	LED Corn Cob	280	11000	100	110	833	Line Voltage On-Board Transformer
	120LED*	LED Corn Cob	336	13200	120	110	1000	Line Voltage On-Board Transformer

1) Other wattages & lumens available upon request.
 2) Other dimming types available upon request.
 * Size 15 ONLY

6. Color Temps (k):	<u>Matrix #:</u> AM*	<u>Description:</u> Amber Color Temp
	27	2700k Color Temp
	30	3000k Color Temp
	40	4000k Color Temp
	50	5000k Color Temp

Note: Other color temperatures & RGB's available upon request.
 *Amber not available in corn cobs.

7. Voltage:	<u>Matrix #:</u> 120	<u>Description:</u> 120VAC
	208	208VAC
	240	240VAC
	277	277VAC
	347*	347VAC
	480*	480VAC

*Contact ELA for details.

8. Lens:	<u>Matrix #:</u> CG	<u>Description:</u> Clear Glass
	CA*	Clear Acrylic
	CP*	Clear Polycarbonate
	FG	Frosted Glass
	FA*	Frosted Acrylic
	FP*	Frosted Polycarbonate
	SG	Seedy Glass
	SA*	Seedy Acrylic

1) All glass panels (excluding SEEDY) are tempered glass.
 * 50W max wattage

9. Finish: (Standard Powder Coat)	<u>Matrix #:</u> AG	<u>Description:</u> Augustine Green
	CC	Charcoal
	DB	Dark Bronze
	GY	Architectural Grey
	MG	Malaga Green
	MN	Black - Midnight
	PW	Pewter
	SB	Statuary Bronze
	VL	Village Green
	WH	White

Note: Custom colors available upon request.

10. Options:	<u>Matrix #:</u> BBU**	<u>Description:</u> Battery Backup
	PCB	Photocell Button
	ST	Solid Top
	PCR3*	3 Pin Photo Control Receptacle
	PCR5*	5 Pin Photo Control Receptacle
	PCF7*	7 Pin Photo Control Receptacle
	HSS	House Side Shield

1. BBU test button location shall have visibility for testing on site. Consult factory for placement location.
 2. BBU LED lumen output reduced in BBU mode.
 3. ELA Can integrate client specified wifi /remote control components upon request.
 * See ELA for mounting options.
 ** Size 15 and Horizontal LED Option Only.

ELA Warranty Info: Environmental Lighting for Architecture, Inc. (ELA) offers a Five (5) Year Warranty on all products exclusively manufactured by ELA. Furthermore, ELA offers a Five (5) Year Warranty on all LED and LED components; and guarantees that no fewer than 90% of the diodes in each fixture will still be operating during this time. Please contact ELA for the details of each warranty.