



Project Name:
Type:

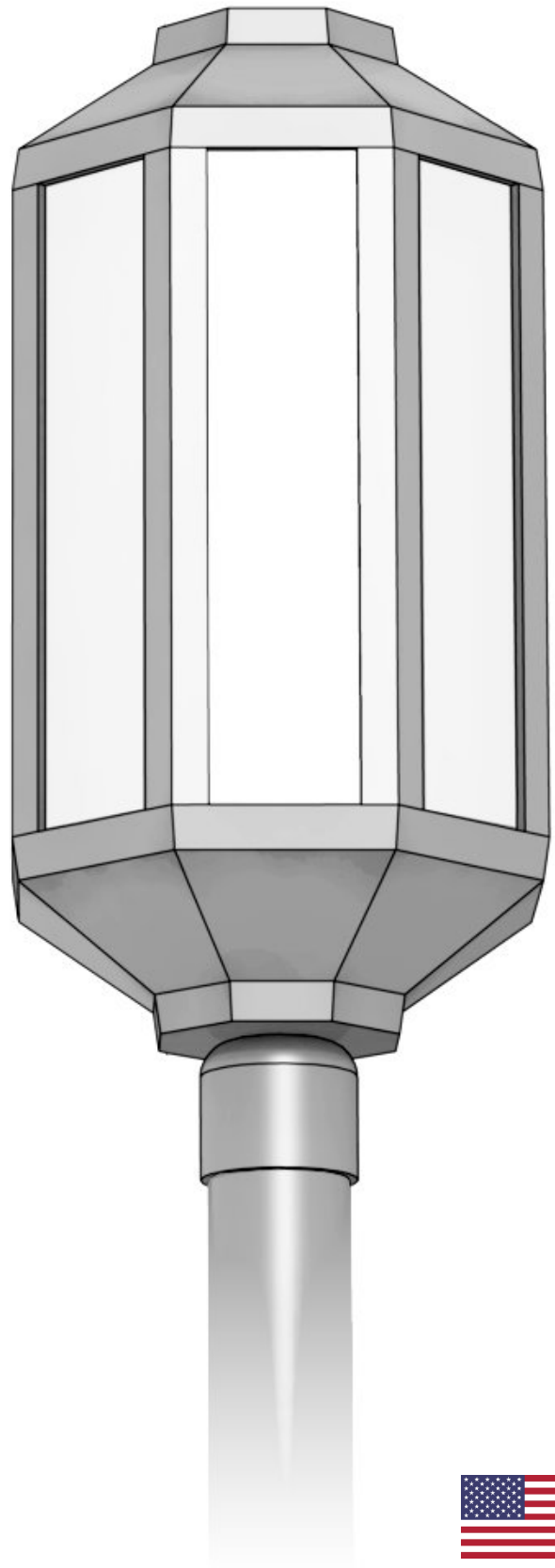
Environmental Lighting for Architecture, Inc.

# Miramar - MIR

## HID Ordering Matrix

# Miramar

The Miramar is a contemporary, eight-sided luminaire that offers several mounting styles and many lens options. A regular in ELA's line for years, this timeless design is suitable for pole, pier mount, cross arm, wall or ceiling mounted applications. The Miramar is a perfect fit for shopping malls, decorative street lighting, parking lots, government buildings, site and walkway lighting, schools, libraries, high-end residential applications, and much more. Available with up to 250 watts of HID power sources the Miramar is the perfect solution for a full array of lighting applications.



Fixture is "Buy America Act" Compliant Proudly Made in the U.S.A.



Project Name: \_\_\_\_\_  
 Type: \_\_\_\_\_

# Miramar - MIR HID Ordering Matrix

Environmental Lighting for Architecture, Inc.

1 **MIR** / 2 / 3 / 4 / 5 / 6 / 7 / 8 / 9

**1. Fixture:** Matrix #: **MIR** Description: Miramar Fixture

**2. Size:** Matrix #: **12** Weight: 30 lbs. EPA: 1.0  
**15** 40 lbs. 1.8

**3. Mounting:** Matrix #: **CA\*** Description: Cross Arm  
**WB\*** Wall Bracket  
**CP** Chain Pendant  
**SP** Stem Pendant  
**PT\*** Post Top  
**PM\*** Pier Mount

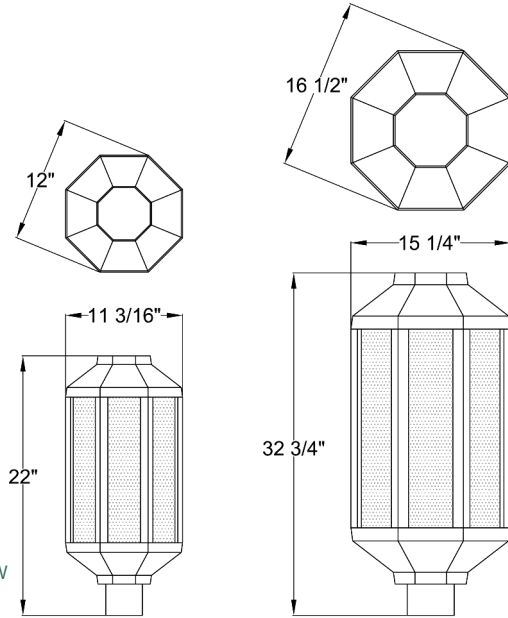
\*Specify which ELA product is to be used. See ELA website for choices.

**4. Distribution:** Matrix #: **H3** Description: Type 3 - Horizontal  
**H5** Type 5 - Horizontal  
 Horizontal  
**V3\*** Type 3 - Vertical  
**V5** Type 5 - Vertical  
 Vertical

1. Vertical optics fit a mogul base socket.

2. Horizontal only uses a medium base socket.

\* Glass refractor required.



**MIR / 12**  
Vertical Max: 100W

**MIR / 18**  
Horizontal Max: 100W  
Vertical Max: 250W

**5. Lamping:** Description: Pulse Start Metal Halide (Watts/Type)  
Matrix #: **50PSMH**  
**70PSMH**  
**100PSMH**  
**150PSMH**  
**175PSMH**  
**200PSMH**  
**250PSMH**

1. Electronic ballast available for 50, 70, 100, and 150 watt MH lamps.

2. Other wattages and ballasts available. Consult factory.

Description: Metal Halide (Watts/Type)  
Matrix #: **50MH**  
**70MH**  
**T6 70MH**  
**100MH**  
**T6 150MH**

Description: High Pressure Sodium (Watts/Type)  
Matrix #: **50HPS**  
**70HPS**  
**100HPS**  
**150HPS**  
**200HPS**  
**250HPS**

Description: Incandescent  
Matrix #: **INC\***  
 \*Note: Incandescent socket supplied will be E26 Medium-Base (suitable for lamping by others), unless otherwise specified.

**6. Voltage:** Matrix #: **120** Description: 120VAC  
**208** 208VAC  
**240** 240VAC  
**277** 277VAC  
**347** 347VAC  
**480** 480VAC

**7. Lens:** Matrix #: **CG** Description: Clear Glass  
**CA\*** Clear Acrylic  
**CP\*** Clear Polycarbonate  
**FG** Frosted Glass  
**FA\*** Frosted Acrylic  
**FP\*** Frosted Polycarbonate  
**SG** Seedy Glass  
**SA\*** Seedy Acrylic

1) All glass lens panels (excluding SEEDY) are tempered glass.

\* 50W Max Wattage

**8. Finish:** (Standard Powder Coat) Matrix #: **AG** Description: Augustine Green  
**CC** Charcoal  
**DB** Dark Bronze  
**GY** Architectural Grey  
**MG** Malaga Green  
**MN** Black - Midnight  
**PW** Pewter  
**SB** Statuary Bronze  
**VL** Village Green  
**WH** White

Note: Custom colors available upon request.

**9. Options:** Matrix #: **BBU** Description: Battery Backup  
**PCB** Photocell Button  
**TB** Terminal Block  
**PCR3\*** 3 Pin Photo Control Receptacle  
**PCR5\*** 5 Pin Photo Control Receptacle  
**PCF7\*** 7 Pin Photo Control Receptacle  
**HSS** House Side Shield

1. BBU test button location shall have visibility for testing on site. Consult factory for placement location.

2. ELA Can integrate client specified Wifi /remote control components upon request.

\* See ELA for mounting options.

**ELA Warranty Info:** Environmental Lighting for Architecture, Inc. (ELA) offers a Five (5) Year Warranty on all products exclusively manufactured by ELA. Furthermore, ELA offers a Five (5) Year Warranty on all LED and LED components; and guarantees that no fewer than 90% of the diodes in each fixture will still be operating during this time. Please contact ELA for the details of each warranty.