



| | |
|---------------|--|
| Project Name: | |
| Type: | |

Madison - MAD

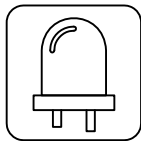
Ordering Matrix

Madison

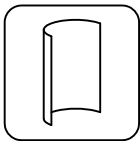
The Madison is a classic outdoor fixture which offers both style and high performance. Featuring a full cut-off horizontal lens, the Madison can be provided with up to 106 watts of LED which produces 11,342 lumens. The Madison is also equipped with multiple board technology, which allows for better LED performance and light distribution. The Madison fixture also has a standard hinged hood for toolless entry! Suitable for pole, cross arm, pendant and wall mounted specifications, the Madison is the perfect solution for decorative site and area lighting; including roads, historical sites, schools and universities, museums, parking lots, site and walkway lighting, housing developments, and much more.



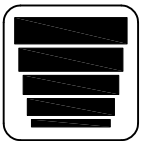
Fixture is "Buy American Act" compliant
Proudly Made in the U.S.A



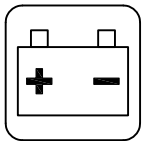
LED Board



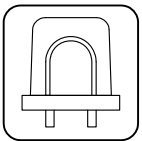
House Side Shield



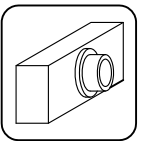
0-10V Dimming



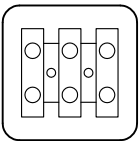
Battery Backup



Twist Lock Photocell



Button Photocell



Terminal Block



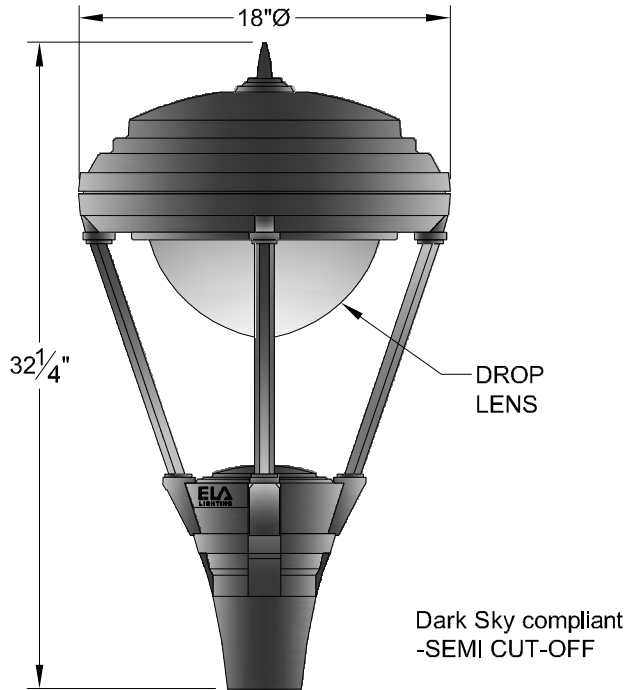
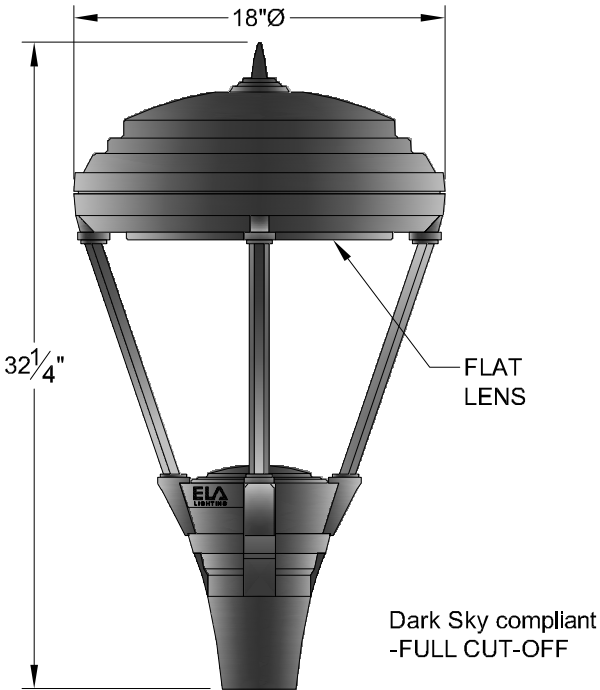
Project Name: _____
 Type: _____

Madison - MAD

Ordering Matrix

Environmental Lighting for Architecture, Inc.

1 2 3 4 5 6 7 8 9 10
MAD / **18** / / / / / / / / /



MAD/18

MAX: 106W

EPA:

0.77

EPA:

1.0

| | | |
|--|------------------------|----------------|
| 1. Fixture | | |
| <u>Matrix #:</u> | <u>Description:</u> | |
| MAD | Madison | |
| 2. Size | | |
| <u>Matrix #:</u> | <u>Description:</u> | <u>Weight:</u> |
| 18 | 18 inch | 45 lbs. |
| 3. Mounting | | |
| <u>Matrix #:</u> | <u>Description:</u> | |
| PT3 | Post Top - 3" Diameter | |
| PT4 | Post Top -4" Diameter | |
| *CA | Cross Arm | |
| *BR | Wall Bracket | |
| *Specify Cross Arm or Wall Bracket to be used. For other options please contact factory. | | |

| | | |
|------------------------|------------------|---------------------|
| 4. Distribution | <u>Matrix #:</u> | <u>Description:</u> |
| | H2 | Type 2 - Horizontal |
| | | |
| | H3 | Type 3 - Horizontal |
| | | |
| | H4 | Type 4 - Horizontal |
| | | |
| | H5 | Type 5 - Horizontal |
| | | |
| Dark Sky compliant | | |



| | |
|---------------|--|
| Project Name: | |
| Type: | |

Madison - MAD

Ordering Matrix

Environmental Lighting for Architecture, Inc.

5. LED SYSTEM:

| Matrix #: | Description: | Lumens: | Wattage: | Efficacy: | LED Drive (mA) | Standard Dimming Type: |
|-----------|--------------|---------|----------|-----------|----------------|-------------------------------|
| 49LED | LED BOARD | 5243 | 49 | 107 | 1,150 | 0-10vDC, Triac, Forward Phase |
| 60LED | LED BOARD | 6420 | 60 | 107 | 1,400 | 0-10vDC, Triac, Forward Phase |
| 71LED | LED BOARD | 7597 | 71 | 107 | 1,670 | 0-10vDC, Triac, Forward Phase |
| 80LED | LED BOARD | 8560 | 80 | 107 | 1,880 | 0-10vDC, Triac, Forward Phase |
| 91LED | LED BOARD | 9737 | 91 | 107 | 2,150 | 0-10vDC, Triac, Forward Phase |
| 98LED | LED BOARD | 10486 | 98 | 107 | 2,300 | 0-10vDC, Triac, Forward Phase |
| 106LED | LED BOARD | 11342 | 106 | 107 | 2,500 | 0-10vDC, Triac, Forward Phase |

6. Color Temperature (K)

| Matrix #: | Description: |
|-----------|-------------------------|
| AM | Amber Color Temperature |
| 27 | 2700K Color Temperature |
| 30 | 3000K Color Temperature |
| 40 | 4000K Color Temperature |
| 50 | 5000K Color Temperature |

Note: Other color temperatures & RGB available upon request

7. Voltage

| Matrix #: | Description: |
|-----------|--------------|
| 120 | 120VAC |
| 208 | 208VAC |
| 240 | 240VAC |
| 277 | 277VAC |
| *347 | 347VAC |
| *480 | 480VAC |

*Contact Factory

8. Lens

| Matrix #: | Description: |
|-----------|---------------------------------|
| CG | Clear Flat Tempered Glass |
| FG | Frosted Flat Tempered Glass |
| CDA | Clear Drop Acrylic Lens |
| FDA | Frosted Drop Acrylic Lens |
| CDP | Clear Drop Polycarbonate Lens |
| FDP | Frosted Drop Polycarbonate Lens |

9. Finish

| Matrix #: | Description: |
|-----------|--------------------|
| AG | Augustine Green |
| CC | Charcoal |
| DB | Dark Bronze |
| GY | Architectural Grey |
| MG | Malaga Green |
| MN | Midnight (Black) |
| PW | Pewter |
| SB | Statuary Bronze |
| VL | Village Green |
| WH | White |

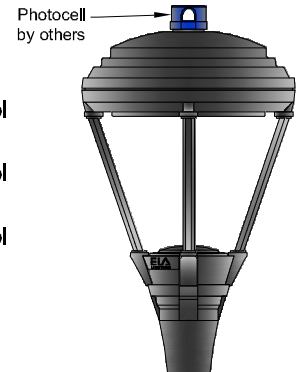
* Custom colors available. Contact Factory

10. Options

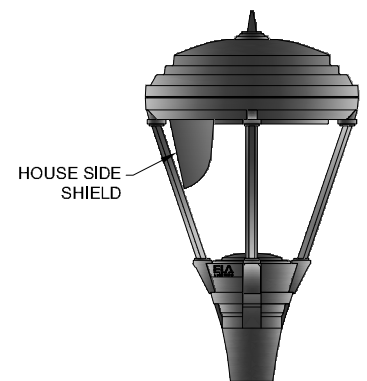
Matrix #: Description:
BBU Battery Backup (location to be remote)

* **PCB** Photocell Button

- * **PCR3** 3 Pin Photo Control Receptacle
- * **PCR5** 5 Pin Photo Control Receptacle
- * **PCR7** 7 Pin Photo Control Receptacle



HSS House Side Shield



- * **OC** Occupancy Sensor
- * **TB** Terminal Block

* Contact Factory for location & details.
 * * Receptacle only - Photocell BY OTHERS

ELA Warranty Info: ELA reserves the right to change specifications without notice. Please refer to the ELA Terms and

Conditions documentation for further detail: www.ela-lighting.com/pdf/Warranty.pdf