



Project Name:	
Type:	

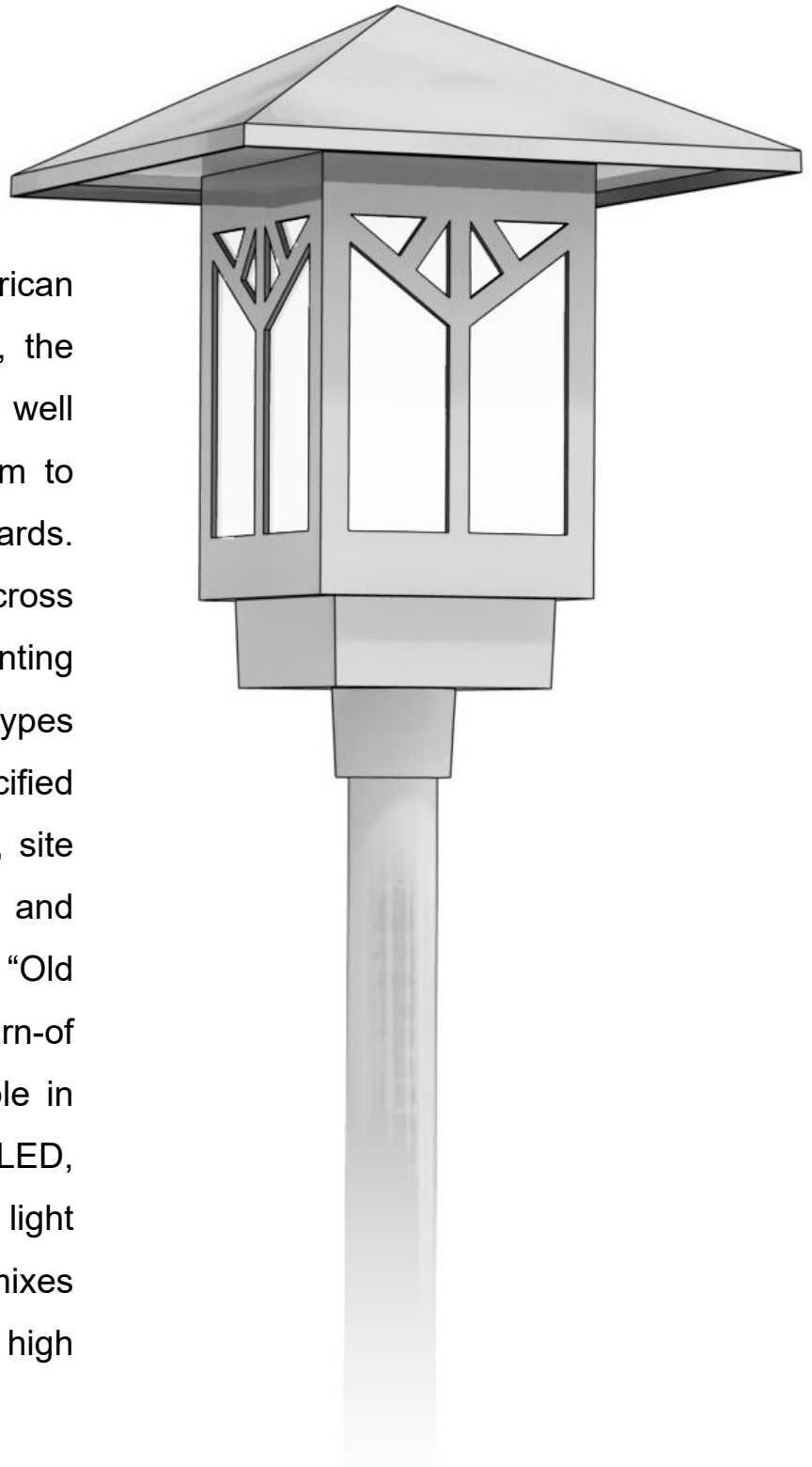
Environmental Lighting for Architecture, Inc.

# Kraft - KRA

## LED Ordering Matrix

# Kraft

Designed after the American Craftsman Style of architecture, the Kraft is aesthetically pleasing, well constructed, and able to perform to today's stringent lighting standards. The Kraft is suitable for pole, cross arm, wall, or pendant mounting conditions. Among many other types of projects, the Kraft is often specified for parking lots, shopping malls, site and walkway lighting, roads and driveways, museums, lighting for "Old Town" sections of cities, and turn-of-the-century applications. Available in up to a maximum 135 watts in LED, while still maintaining excellent light output, the Kraft perfectly mixes tradition with today's high performance requirements.



Fixture is "Buy America Act" Compliant Proudly Made in the U.S.A.



Project Name: \_\_\_\_\_  
 Type: \_\_\_\_\_

# Kraft - KRA LED Ordering Matrix

Environmental Lighting for Architecture, Inc.

1 **KRA** / 2 / 3 / 4 / 5 / 6 / 7 / 8 / 9

**1. Fixture:** Matrix #: **KRA** Description: Kraft Fixture

**2. Size:**

Matrix #:	Weight:	EPA:
06	5 lbs.	0.3
20	35 lbs.	1.7
34	45 lbs.	2.8

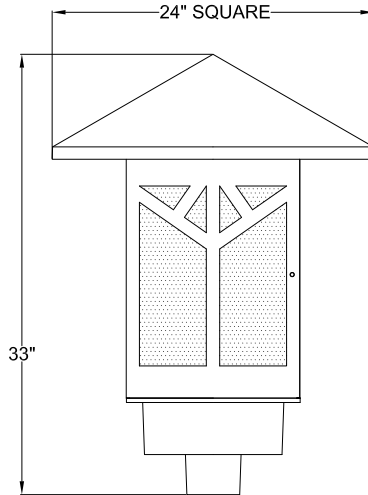
**3. Mounting:**

Matrix #:	Description:
PF*	Post Fitter
PM*	Pier Mount
CA*	Cross Arm
WB*	Wall Bracket

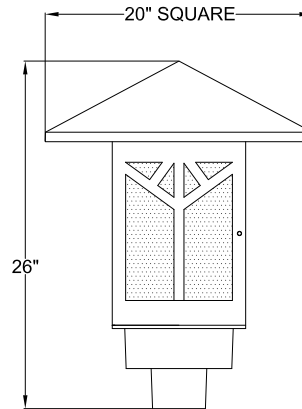
\*Specify which pole is to be used. See ELA website for choices.

**4. Optics:**

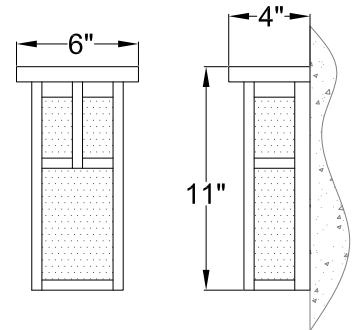
Matrix #:	Description:
H2	Type 2 - Horizontal
H3	Type 3 - Horizontal
H4	Type 4 - Horizontal
H5	Type 5 - Horizontal
V3	Type 3 - Vertical
V5	Type 5 - Vertical



**KRA / 24**  
Horizontal Max: 135W  
Vertical Max: 120W



**KRA / 20**  
Horizontal Max: 101W  
Vertical Max: 80W



**KRA / 20**  
Contact Factory

**5. Lamping:**

	Matrix #:	Description:	Diodes	Lumens*	Wattage*	Efficacy	LED Drive (mA)	Standard Dimming Type**
	35LED	LED Board	24	3360	35	96	292	1-10VDC, Triac, Forward Phase
	69LED	LED Board	56	6624	69	95	575	1-10VDC, Triac, Forward Phase
	101LED	LED Board	100	9696	101	95	842	1-10VDC, Triac, Forward Phase
	135LED+	LED Board	100	12960	135	95	1125	1-10VDC, Triac, Forward Phase
Horizontal								
Vertical	27LED	LED Corn Cob	81	2970	27	110	275	Line Voltage On-Board Transformer
	45LED	LED Corn Cob	135	4950	45	110	375	Line Voltage On-Board Transformer
	80LED	LED Corn Cob	234	8800	80	110	667	Line Voltage On-Board Transformer
	120LED+	LED Corn Cob	336	13200	120	110	1000	Line Voltage On-Board Transformer

\* Size 24 ONLY.

\*\*Other wattages & lumens available upon request.

\*\*Other dimming types available upon request.

**6. Color Temps (k):**

Matrix #:	Description:
AM*	Amber Color Temp
27	2700k Color Temp
30	3000k Color Temp
40	4000k Color Temp
50	5000k Color Temp

Note: Other color temperatures & RGB's available upon request.

\*Amber not available in corn cobs.

**7. Voltage:**

Matrix #:	Description:
120	120VAC
208	208VAC
240	240VAC
277	277VAC
347*	347VAC
480*	480VAC

\*Contact ELA for details.

**8. Lens:**

Matrix #:	Description:	Matrix #:	Description:
CG	Clear Glass	FP	Frosted Polycarbonate
CA	Clear Acrylic	SG	Seedy Glass
CP	Clear Polycarbonate	SA	Seedy Acrylic
FG	Frosted Glass	HCG*	Horizontal Clear Glass
FA	Frosted Acrylic	HFG*	Horizontal Frosted Glass

\* Full Cut Off. Sizes 20 and 24 ONLY.

**9. Finish:**

(Standard Powder Coat)

Matrix #:	Description:
AG	Augustine Green
CC	Charcoal
DB	Dark Bronze
GY	Architectural Grey
MG	Malaga Green
MN	Black - Midnight
PW	Pewter
SB	Statuary Bronze
VL	Village Green
WH	White

Note: Custom colors available upon request.

**10. Options:**

Matrix #:	Description:
BBU**	Battery Backup
PCB	Photocell Button
PCR3*	3 Pin Photo Control Receptacle
PCR5*	5 Pin Photo Control Receptacle
PCF7*	7 Pin Photo Control Receptacle
HSS	House Side Shield

\* See ELA for mounting options.

\*\* Size 20 and 24, Horizontal LED Option ONLY.

**ELA Warranty Info:**

Environmental Lighting for Architecture, Inc. (ELA) offers a Five (5) Year Warranty on all products exclusively manufactured by ELA. Furthermore, ELA offers a Five (5) Year Warranty on all LED and LED components; and guarantees that no fewer than 90% of the diodes in each fixture will still be operating during this time. Please contact ELA for the details of each warranty.