

Project Name:
Type:

# Jamestown - JST

## Ordering Matrix

Environmental Lighting for Architecture, Inc.

# Jamestown

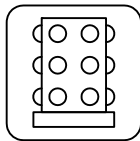
The Jamestown is an acorn globe fixture with a decorative embossed cast aluminum fitter and cage, giving it a classic look, while being able to meet some of today's highly sought after performance needs. The Jamestown is suitable for poles, cross arms and wall mounted specifications. Available with a horizontal LED Board or LED Corn Cob style module as well as it's various mounting options, the Jamestown is able to suit a variety of looks while maintaining a classic design.



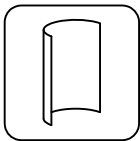
Fixture is "Buy American Act" compliant  
Proudly Made in the U.S.A



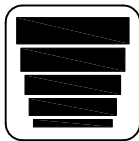
LED Board



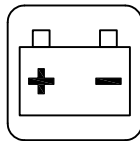
LED Module



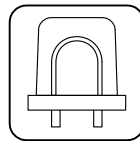
House Side Shield



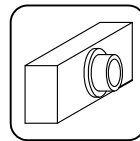
0-10V Dimming



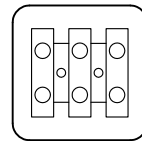
Battery Backup



Twist Lock Photocell



Button Photocell



Terminal Block



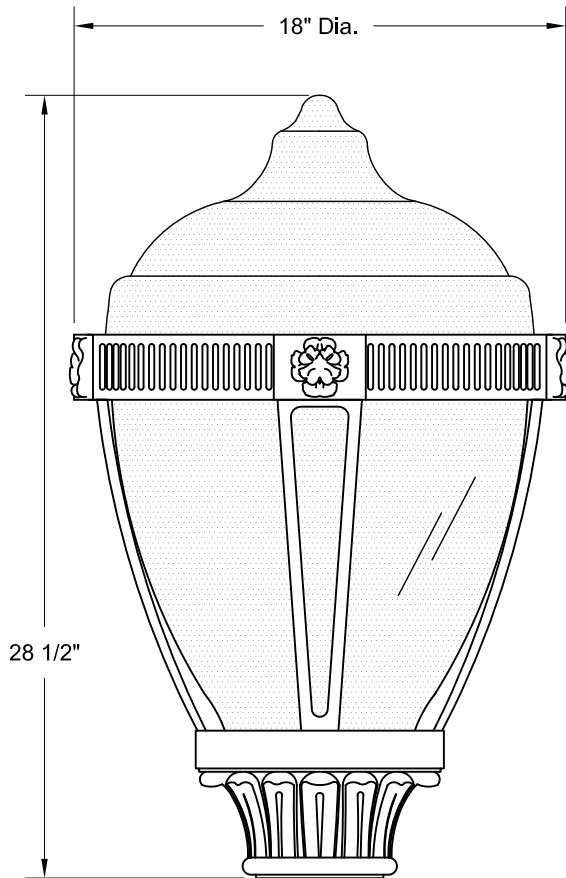
Project Name:
Type:

# Jamestown - JST

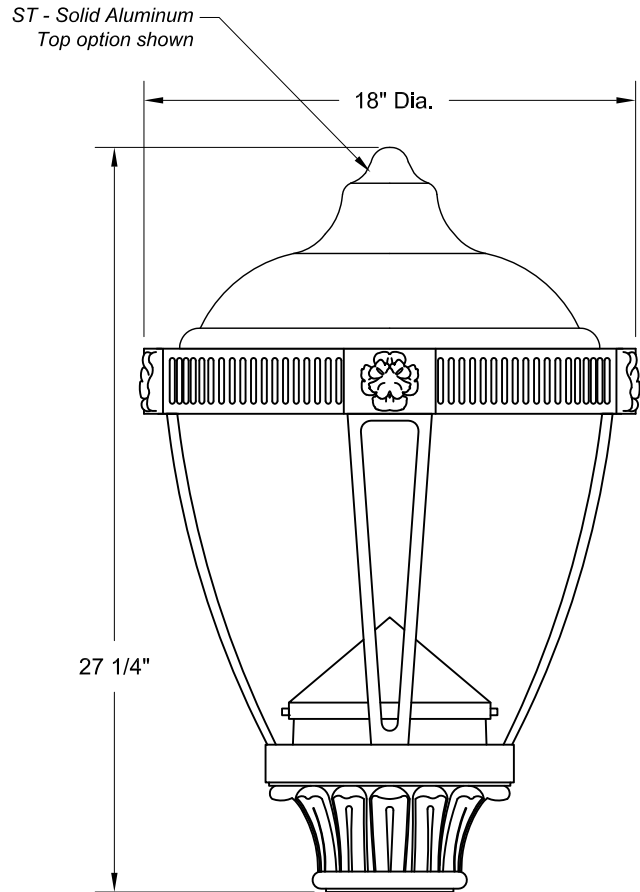
## Ordering Matrix

Environmental Lighting for Architecture, Inc.

1	2	3	4	5	6	7	8	9	10
JST									

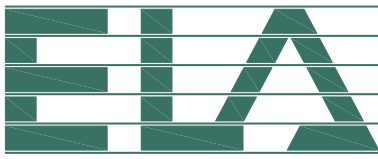


**JST/18A**  
Horizontal Max: 43W  
Vertical Max: 120W



**JST/18B**  
Horizontal Max: 57W  
Vertical Max: 120W

<b>1. Fixture:</b> <u>Matrix#:</u> <b>JST</b> <u>Description:</u> Jamestown	<b>3. Mounting:</b> <u>Matrix#:</u> <b>PT3</b> Post Top - 3" Diameter <b>PT4</b> Post Top - 4" Diameter <b>*CA</b> Cross Arm <b>*BR</b> Wall Bracket	
	* Specify Cross Arm or Wall Bracket is to be used. For all other options please contact factory.	
<b>2. Size:</b> <u>Matrix#:</u> <b>18A</b> 30 lbs. 2.3 <b>*18B</b> 38 lbs. 1.4  * Solid Aluminum Top Only	<b>4. Distribution:</b> <u>Matrix#:</u> <b>H2</b> Type 2 - Horizontal <b>H3</b> Type 3 - Horizontal <b>H4</b> Type 4 - Horizontal <b>H5</b> Type 5 - Horizontal <hr/> <b>Vertical</b> <b>V3</b> Type 3 - Vertical <b>V5</b> Type 5 - Vertical (Corn Cob)	



Project Name:
Type:

# Jamestown - JST Ordering Matrix

Environmental Lighting for Architecture, Inc.

5. Lamping:	Matrix#:	Description:	Lumens:	Wattage:	Efficacy:	LED Drive (mA):	Standard Dimming Type
	23LED	LED Board	2507	23	109	1050	0-10VDC, Triac, Forward Phase
	29LED	LED Board	3161	29	109	1340	0-10VDC, Triac, Forward Phase
	36LED	LED Board	3924	36	109	1670	0-10VDC, Triac, Forward Phase
	43LED	LED Board	4687	43	109	2000	0-10VDC, Triac, Forward Phase
	*50LED	LED Board	5450	50	109	2000	0-10VDC, Triac, Forward Phase
	*57LED	LED Board	6213	57	109	2300	0-10VDC, Triac, Forward Phase
Horizontal Vertical (Corn Cob)	25LED	LED Corn Cob	2750	25	110		
	30LED	LED Corn Cob	3300	30	110		
	35LED	LED Corn Cob	3850	35	110		
	40LED	LED Corn Cob	4400	40	110		
	45LED	LED Corn Cob	4950	45	110		
	50LED	LED Corn Cob	5500	50	110		
	60LED	LED Corn Cob	6600	60	110		
	80LED	LED Corn Cob	8800	80	110		
	100LED	LED Corn Cob	11000	100	110		
	120LED	LED Corn Cob	13200	120	110		

\* Size 18B only

6. Color Temperature (K):	Matrix#:	Description:
	AM	Amber Color Temperature
	27	2700K Color Temperature
	30	3000K Color Temperature
	40	4000K Color Temperature
	50	5000K Color Temperature

Note: Other color temperatures & RGB available upon request.  
Amber not available in Corn Cobs

7. Voltage:	Matrix#:	Description:
	120	120VAC
	208	208VAC
	240	240VAC
	277	277VAC
	*347	347VAC
	*480	480VAC

\* Contact factory for details

8. Lens:	Matrix#:	Description:
	*SA	Stippled Acrylic Globe
	*SP	Stippled Polycarbonate Globe
	*OP	Opal Polycarbonate
	**HCG	Horizontal Clear Glass
	**HFG	Horizontal Frosted Glass

\*18A only

\*\*18B only

9. Finish:	Matrix#:	Description:
Standard	AG	Augustine Green
Powder Coat	CC	Charcoal
	DB	Dark Bronze
	GY	Architectural Grey
	MG	Malaga Green
	MN	Midnight - Black
	PW	Pewter
	SB	Statuary Bronze
	VL	Village Green
	WH	White

Note: Custom colors available upon request.

10. Options:	Matrix#:	Description:
	BBU	Battery Backup ( <i>Horizontal LED only</i> )
	PCB	Photocell Button
	TB	Terminal Block
	*PCR3	3 Pin Photo Control Receptacle
	*PCR5	5 Pin Photo Control Receptacle
	*PCR7	7 Pin Photo Control Receptacle
	HSS	House Side Shield
	ST	Solid Aluminum Top option
	FF1	Fixture Finial option 1
	FF2	Fixture Finial option 2

1. Contact factory for BBU test button location.
2. BBU LED lumen output reduced in BBU mode.
3. Contact factory for wifi/remote controls.

\* Contact factory for location.

**ELA Warranty Info:** ELA reserves the right to change specifications without notice. Please refer to the ELA Terms and Conditions documentation for further detail: [www.ela-lighting.com/pdf/Warranty.pdf](http://www.ela-lighting.com/pdf/Warranty.pdf)