



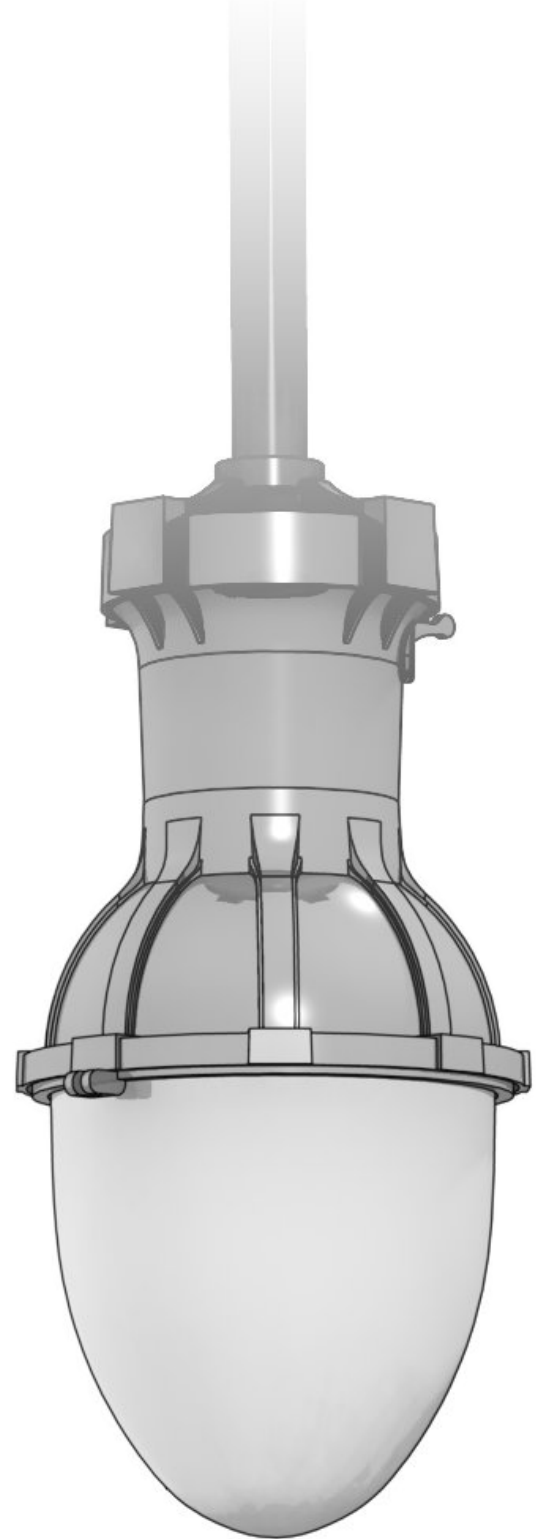
Project Name:
Type:

Environmental Lighting for Architecture, Inc.

Industrial - IND LED Ordering Matrix

Industrial

ELA's Industrial family of fixtures is a modern operating fixture with a style inspired by America's Industrial Revolution. This combination gives the Industrial a look that fits both small scale architectural projects as well as large municipality needs. The Industrial body is constructed from high quality aluminum ensuring longevity and strength. Also offered is the substitution of the teardrop glass for a flat glass lens to adhere to the growing demand for full cut-off compliance.



Fixture is "Buy America Act" Compliant Proudly Made in the U.S.A.



Project Name: _____
 Type: _____

Industrial - IND LED Ordering Matrix

Environmental Lighting for Architecture, Inc.



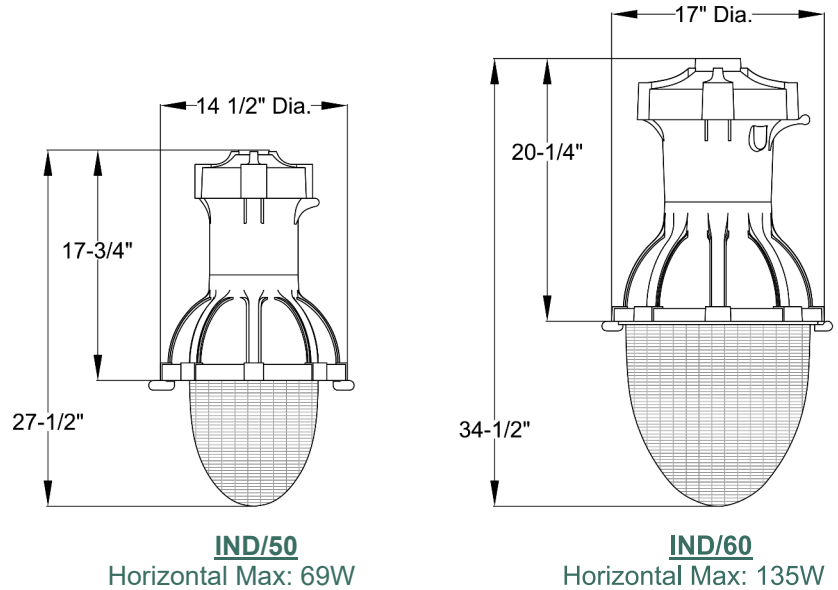
1. Fixture: Matrix #: Description:
IND Industrial Fixture

2. Size: Matrix #: Weight: EPA:
50 40 lbs. 1.7
60 57 lbs. 2.6

3. Mounting: Matrix #: Description:
CR* Cross Arm
BR* Wall Bracket
CP Chain Pendant
SP Stem Pendant

*Specify which Cross Arm or Wall Bracket is to be used. See ELA website for choices.

4. Distribution: Matrix #: Description:
H2 Type 2 - Horizontal
H3 Type 3 - Horizontal
H4 Type 4 - Horizontal
H5 Type 5 - Horizontal
 Horizontal
V3 Type 3 - Vertical
V5 Type 5 - Vertical
 Vertical



5. Lamping:	<u>Matrix #:</u>	<u>Description:</u>	<u>Diodes</u>	<u>Lumens*</u>	<u>Wattage*</u>	<u>Efficacy</u>	<u>LED Drive (mA)</u>	<u>Standard Dimming Type**</u>
	35LED	LED Board	24	3360	35	96	292	1-10VDC, Triac, Forward Phase
	50LED	LED Board	56	4800	50	96	417	1-10VDC, Triac, Forward Phase
	69LED	LED Board	56	6624	69	96	575	1-10VDC, Triac, Forward Phase
	101LED*	LED Board	100	9696	101	96	842	1-10VDC, Triac, Forward Phase
	135LED*	LED Board	100	12960	135	96	1125	1-10VDC, Triac, Forward Phase

1) Other wattages & lumens available upon request.
 2) Other dimming types available upon request.
 * Size 60 ONLY

6. Color Temps (k): Matrix #: Description:
AM* Amber Color Temp
27 2700k Color Temp
30 3000k Color Temp
40 4000k Color Temp
50 5000k Color Temp

Note: Other color temperatures & RGB's available upon request.
 *Amber not available in corn cobs.

7. Voltage: Matrix #: Description:
120 120VAC
208 208VAC
240 240VAC
277 277VAC
347* 347VAC
480* 480VAC

*Contact ELA for details.

8. Lens: Matrix #: Description:
TG Teardrop Glass
CG* Clear Horizontal Tempered Flat Glass
FG* Frosted Horizontal Tempered Flat Glass

*Full Cut-Off Compliant.

9. Finish: Matrix #: Description:
 (Standard Powder Coat)
AG Augustine Green
CC Charcoal
DB Dark Bronze
GY Architectural Grey
MG Malaga Green
MN Black - Midnight
PW Pewter
SB Statuary Bronze
VL Village Green
WH White

Note: Custom colors available upon request.

10. Options: Matrix #: Description:
PCB Photocell Button
TB Terminal Block
PCR3* 3 Pin Photo Control Receptacle
PCR5* 5 Pin Photo Control Receptacle
PCF7* 7 Pin Photo Control Receptacle
HSS House Side Shield

1. BBU LED lumen output reduced in BBU mode.
 2. ELA Can integrate client specified Wifi /remote control components upon request.
 * See ELA for mounting options.

ELA Warranty Info:
 Environmental Lighting for Architecture, Inc. (ELA) offers a Five (5) Year Warranty on all products exclusively manufactured by ELA. Furthermore, ELA offers a Five (5) Year Warranty on all LED and LED components; and guarantees that no fewer than 90% of the diodes in each fixture will still be operating during this time. Please contact ELA for the details of each warranty.