



Project Name:
Type:

Environmental Lighting for Architecture, Inc.

Gold Rush - GLD HID Ordering Matrix

Gold Rush

Inspired by the look of an early American miner's lantern, ELA introduces the *Gold Rush*! Available in two sizes, this unique design is the perfect choice to be used as decorative street and/or site lighting in cities and towns with a strong history of mining and exploration; as well as sites with a historical or western theme. The *Gold Rush* is suitable for pole, pier mount, cross arm, wall or ceiling mounted applications. The *Gold Rush* is not just a unique design but is also designed to meet today's lighting performance demands. Available in up to a maximum 250 watt HID, while still maintaining excellent light output. With it's unique historic style, superior durability and high performance standards, the *Gold Rush* is the perfect solution for a wide array of lighting applications.



Fixture is "Buy America Act" Compliant Proudly Made in the U.S.A.



Project Name: _____
 Type: _____

Gold Rush - GLD HID Ordering Matrix

Environmental Lighting for Architecture, Inc.

1 **GLD** / 2 / 3 / 4 / 5 / 6 / 7 / 8 / 9

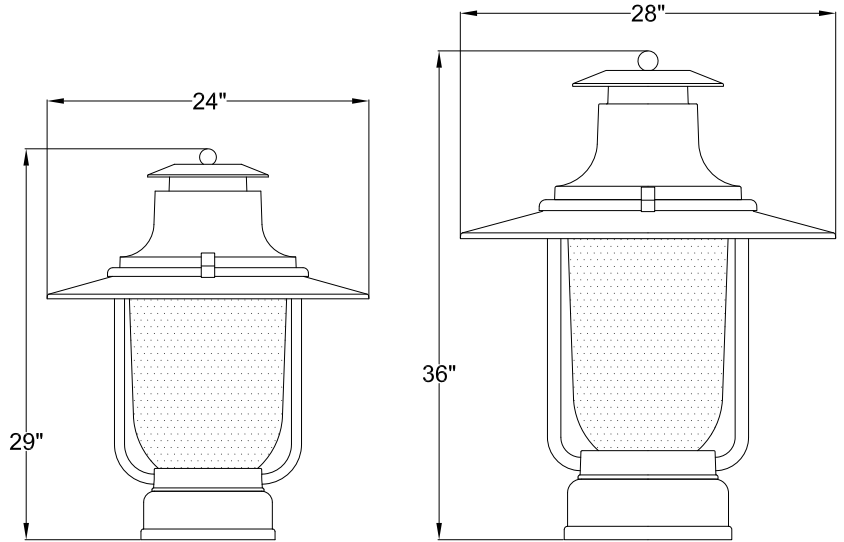
1. Fixture: Matrix #: **GLD** Description: Gold Rush Fixture

2. Size: Matrix #: **24** Weight: 38 lbs. EPA: 1.5
28 47 lbs. 1.8

3. Mounting: Matrix #: **PF*** Description: Post Fitter
PM* Pier Mount
WB* Wall Bracket
SP Stem Pendant
CP Chain Pendant

*Specify which pole is to be used. See ELA website for choices.

4. Distribution: Matrix #: **H3** Description: Type 3 - Horizontal
Horizontal **H5** Type 5 - Horizontal
Vertical **V3*** Type 3 - Vertical
V5 Type 5 - Vertical



GLD / 24
Horizontal Max: 100W
Vertical Max: 150W

GLD / 28
Horizontal Max: 150W
Vertical Max: 250W

- Vertical optics fit a mtogul base socket.
- Horizontal only use medium base socket, unless otherwise specified.

* Glass refractor required.

5. Lamping: Description: Pulse Start Metal Halide (Watts/Type)

Matrix #: **50PSMH**
70PSMH
100PSMH
150PSMH
175PSMH■◆
200PSMH■◆
250PSMH■◆

1. Electronic ballast available for 50, 70, 100, and 150 watt MH lamps.

2. Other wattages and ballasts available. Consult factory.

- Only fits GLD/28.
- ◆ GLD/28 fits vertical only.

Description: Metal Halide (Watts/Type)

Matrix #: **50MH**
70MH
T6 70MH
100MH
T6 150MH

Description: High Pressure Sodium (Watts/Type)

Matrix #: **50HPS**
70HPS
100HPS
150HPS
200HPS■◆
250HPS■◆

Description: Incandescent

Matrix #: **INC***

*Note: Incandescent socket supplied will be E26 Medium-Base (suitable for lamping by others), unless otherwise specified.

6. Voltage: Matrix #: **120** Description: 120VAC
208 208VAC
240 240VAC
277 277VAC
347 347VAC
480 480VAC

8. Finish: Matrix #: **AG** Description: Augustine Green
(Standard Powder Coat) **CC** Charcoal
DB Dark Bronze
GY Architectural Grey
MG Malaga Green
MN Black - Midnight
PW Pewter
SB Statuary Bronze
VL Village Green
WH White

Note: Custom colors available upon request.

ELA Warranty info: Environmental Lighting for Architecture, Inc. (ELA) offers a Five (5) Year Warranty on all products exclusively manufactured by ELA. Furthermore, ELA offers a Five (5) Year Warranty on all LED and LED components; and guarantees that no fewer than 90% of the diodes in each fixture will still be operating during this time. Please contact ELA for the details of each warranty.

7. Lens: Matrix #: **CG** Description: Clear Glass (Tempered)
CA* Clear Acrylic
CP* Clear Polycarbonate
FG Frosted Glass (Tempered)
FA* Frosted Acrylic
FP* Frosted Polycarbonate
SG Seedy Glass
SA* Seedy Acrylic
HCG Horizontal Clear Glass (Tempered)
HFG Horizontal Frosted Glass (Tempered)

* 50w max wattage fits DLW/12 only.

9. Options: Matrix #: **BBU** Description: Battery Backup
PCB Photocell Button
TB Terminal Block
PCR3* 3 Pin Photo Control Receptacle
PCR5* 5 Pin Photo Control Receptacle
PCF7* 7 Pin Photo Control Receptacle
HSS House Side Shield

1. BBU test button location shall have visibility for testing on site. Consult factory for placement location.

2. ELA Can integrate client specified Wifi /remote control components upon request.

* See ELA for mounting options.