



Project Name:	
Type:	

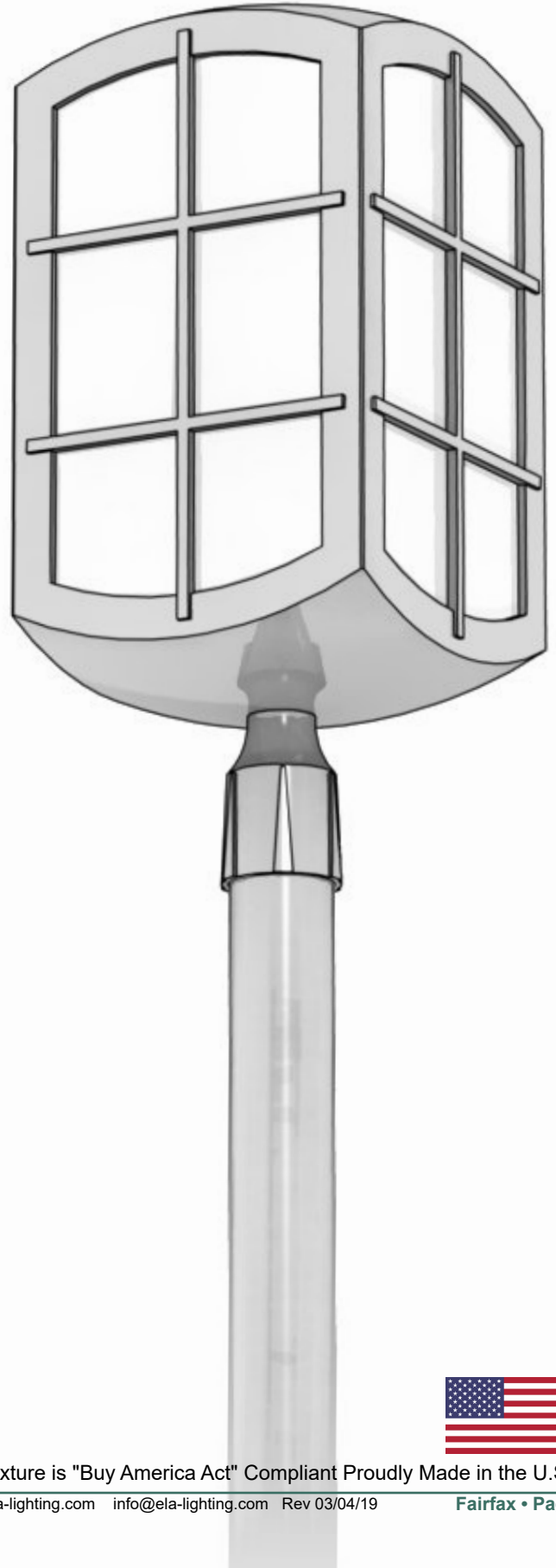
Environmental Lighting for Architecture, Inc.

Fairfax - FFX

LED Ordering Matrix

Fairfax

The Fairfax is a traditional four-sided lantern that comes in two sizes with a wide variety of mounting and lens options. A regular in ELA's line for many years, this timeless design is suitable for pole, pier mount, cross arm, wall or ceiling mounting applications. The Fairfax is a perfect specification for shopping malls, decorative street lighting, parking lots, government buildings, site and walkway lighting, schools, libraries high-end residential applications and much more. Available with a maximum 135 watt LED output, while still maintaining excellent light output. With it's classic traditional style, superior durability, and high performance standards, the Fairfax is the perfect solution to a full array of lighting applications.



Fixture is "Buy America Act" Compliant Proudly Made in the U.S.A.



Project Name: _____
 Type: _____

Fairfax - FFX LED Ordering Matrix

Environmental Lighting for Architecture, Inc.



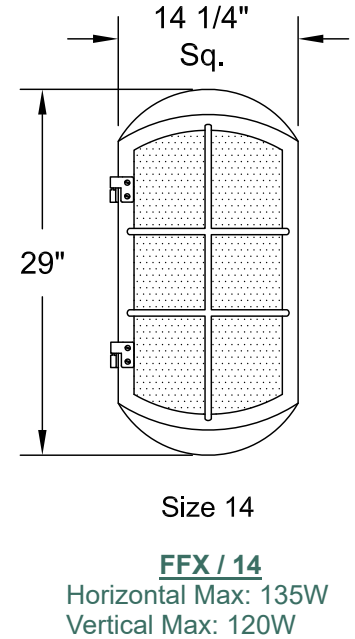
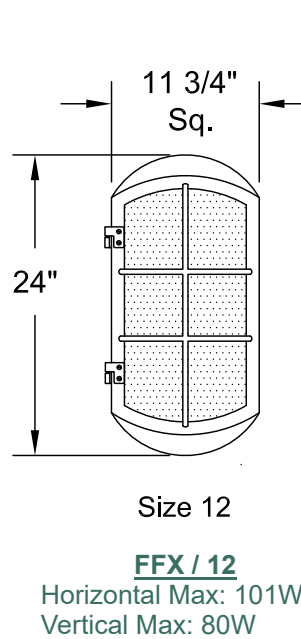
1. Fixture:	<u>Matrix #:</u> FFX	<u>Description:</u> Fairfax Fixture
--------------------	-------------------------	--

2. Size:	<u>Matrix #:</u> 12	<u>Weight:</u> 40 lbs.	<u>EPA:</u> 1.9
	14	55 lbs.	2.8

3. Mounting:	<u>Matrix #:</u> CA*	<u>Description:</u> Cross Arm
	PF*	Post Fitter
	PM*	Pier Mount
	WB*	Wall Bracket
	SP	Stem Pendant
	CP	Chain Pendant

*Specify which pole is to be used. See ELA website for choices.

4. Optics:	<u>Matrix #:</u> H2	<u>Description:</u> Type 2 - Horizontal
	H3	Type 3 - Horizontal
	H4	Type 4 - Horizontal
	H5	Type 5 - Horizontal
	Horizontal	
Vertical	V3	Type 3 - Vertical
	V5	Type 5 - Vertical



5. Lamping:	<u>Matrix #:</u>	<u>Description:</u>	<u>Diodes</u>	<u>Lumens*</u>	<u>Wattage*</u>	<u>Efficacy</u>	<u>LED Drive (mA)</u>	<u>Standard Dimming Type**</u>
Horizontal	35LED	LED Board	24	3360	35	96	292	1-10VDC, Triac, Forward Phase
	69LED	LED Board	56	6624	69	95	575	1-10VDC, Triac, Forward Phase
	101LED	LED Board	100	9696	101	95	842	1-10VDC, Triac, Forward Phase
	135LED	LED Board	100	12960	135	95	1125	1-10VDC, Triac, Forward Phase
Vertical	27LED	LED Corn Cob	81	2970	27	110	275	Line Voltage On-Board Transformer
	45LED	LED Corn Cob	135	4950	45	110	375	Line Voltage On-Board Transformer
	80LED	LED Corn Cob	234	8800	80	110	667	Line Voltage On-Board Transformer
	120LED	LED Corn Cob	336	13200	120	110	1000	Line Voltage On-Board Transformer

*Other wattages & lumens available upon request.
 **Other dimming types available upon request.

6. Color Temps (k):	<u>Matrix #:</u> AM*	<u>Description:</u> Amber Color Temp
	27	2700k Color Temp
	30	3000k Color Temp
	40	4000k Color Temp
	50	5000k Color Temp
	Note: Other color temperatures & RGB's available upon request. *Amber not available in corn cobs.	

7. Voltage:	<u>Matrix #:</u> 120	<u>Description:</u> 120VAC
	208	208VAC
	240	240VAC
	277	277VAC
	347*	347VAC
	480*	480VAC
	*Contact ELA for details.	

8. Lens:	<u>Matrix #:</u> CG	<u>Description:</u> Clear Glass	<u>Matrix #:</u> SG	<u>Description:</u> Seedy Glass	
	CA*	Clear Acrylic	SA*	Seedy Acrylic	
	CP*	Clear Polycarbonate	HCG*	Dark Skies Clear Glass	
	FG	Frosted Glass	HFG*	Dark Skies Frosted Glass	
	FA*	Frosted Acrylic			
	FP*	Frosted Polycarbonate			
	* 50w max wattage only.				

9. Finish: (Standard Powder Coat)	<u>Matrix #:</u> AG	<u>Description:</u> Augustine Green
	CC	Charcoal
	DB	Dark Bronze
	GY	Architectural Grey
	MG	Malaga Green
	MN	Black - Midnight
	PW	Pewter
	SB	Statuary Bronze
	VL	Village Green
	WH	White

Note: Custom colors available upon request.

10. Options:	<u>Matrix #:</u> BBU**	<u>Description:</u> Battery Backup
	PCB	Photocell Button
	PCR3*	3 Pin Photo Control Receptacle
	PCR5*	5 Pin Photo Control Receptacle
	PCF7*	7 Pin Photo Control Receptacle
	HSS	House Side Shield

1. BBU test button location shall have visibility for testing on site. Consult factory for placement location.
 2. BBU LED lumen output reduced in BBU mode.
 3. ELA Can integrate client specified wifi /remote control components upon request.
 * See ELA for mounting options.
 ** Size 18 and Horizontal LED Option ONLY.

ELA Warranty Info: Environmental Lighting for Architecture, Inc. (ELA) offers a Five (5) Year Warranty on all products exclusively manufactured by ELA. Furthermore, ELA offers a Five (5) Year Warranty on all LED and LED components; and guarantees that no fewer than 90% of the diodes in each fixture will still be operating during this time. Please contact ELA for the details of each warranty.