



Project Name:
Type:

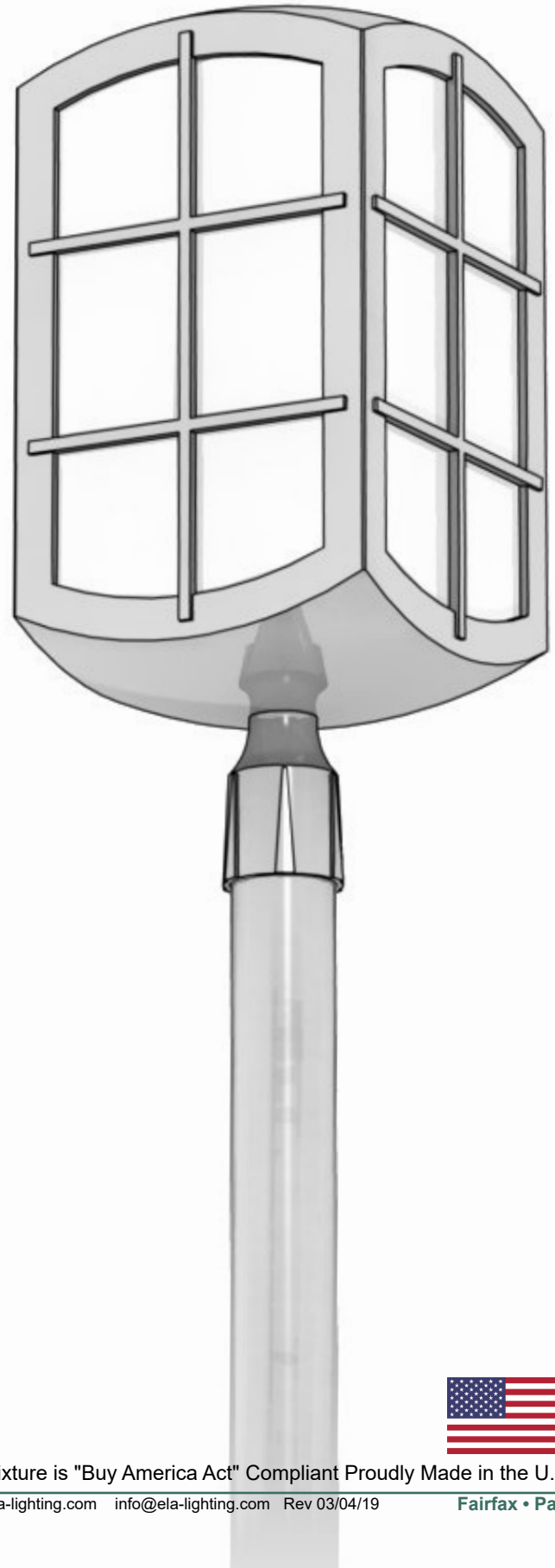
Environmental Lighting for Architecture, Inc.

Fairfax - FFX

HID Ordering Matrix

Fairfax

The Fairfax is a traditional four-sided lantern that comes in two sizes with a wide variety of mounting and lens options. A regular in ELA's line for many years, this timeless design is suitable for pole, pier mount, cross arm, wall or ceiling mounting applications. The Fairfax is a perfect specification for shopping malls, decorative street lighting, parking lots, government buildings, site and walkway lighting, schools, libraries high-end residential applications and much more. Available with a maximum 250 watt HID output, while still maintaining excellent light output. With it's classic traditional style, superior durability, and high performance standards, the Fairfax is the perfect solution to a full array of lighting applications.



Fixture is "Buy America Act" Compliant Proudly Made in the U.S.A.



Project Name:
Type:

Fairfax - FFX HID Ordering Matrix

Environmental Lighting for Architecture, Inc.

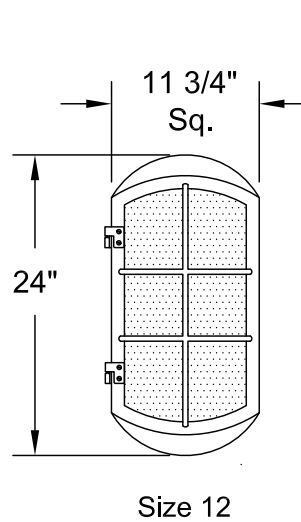
1	2	3	4	5	6	7	8	9
FFX								

1. Fixture: Matrix #: **FFX** Description: Fairfax Fixture

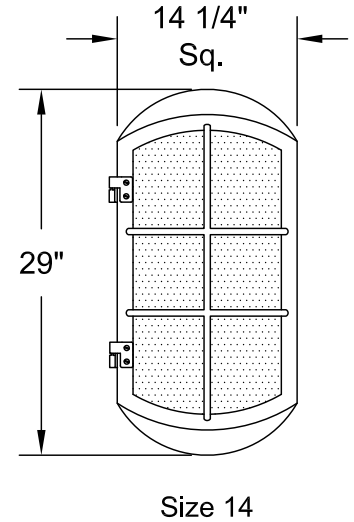
2. Size: Matrix #: **12** Weight: 40 lbs. EPA: 1.9
14 Weight: 55 lbs. EPA: 2.6

3. Mounting: Matrix #: **CA*** Description: Cross Arm
PF* Post Fitter
PM* Pier Mount
WB* Wall Bracket
SP Stem Pendant
CP Chain Pendant
*Specify which pole is to be used. See ELA website for choices.

4. Distribution: Matrix #: **H3** Description: Type 3 - Horizontal
H5 Type 5 - Horizontal
Horizontal
V3* Type 3 - Vertical
V5 Type 5 - Vertical
Vertical



FFX / 12
Horizontal Max: 150W
Vertical Max: 250W



FFX / 14
Horizontal Max: 250W
Vertical Max: 250W

- Vertical optics fit a mogul base socket.
- Horizontal only use medium base socket, unless otherwise specified.

* Glass refractor required.

<p>5. Lamping: Description: Pulse Start Metal Halide (Watts/Type)</p> <p>Matrix #: 50PSMH 70PSMH 100PSMH 150PSMH 175PSMH♦ 200PSMH♦ 250PSMH♦</p> <p><small>1. Electronic ballast available for 50, 70, 100, and 150 watt MH lamps. 2. Other wattages and ballasts available. Consult factory. ♦ FFX/14 fits horizontal only.</small></p>	<p>Description: Metal Halide (Watts/Type)</p> <p>Matrix #: 50MH 70MH T6 70MH 100MH T6 150MH</p>	<p>Description: High Pressure Sodium (Watts/Type)</p> <p>Matrix #: 50HPS 70HPS 100HPS 150HPS 200HPS♦ 250HPS♦</p>	<p>Description: Incandescent</p> <p>Matrix #: INC*</p> <p><small>*Note: Incandescent socket supplied will be E26 Medium-Base (suitable for lamping by others), unless otherwise specified.</small></p>
---	--	---	---

6. Voltage: Matrix #: **120** Description: 120VAC
208 208VAC
240 240VAC
277 277VAC
347 347VAC
480 480VAC

8. Finish: Matrix #: **AG** Description: Augustine Green
CC Charcoal
DB Dark Bronze
GY Architectural Grey
MG Malaga Green
MN Black - Midnight
PW Pewter
SB Statuary Bronze
VL Village Green
WH White
Note: Custom colors available upon request.

7. Lens: Matrix #: **CG** Description: Clear Glass (Tempered)
CA* Clear Acrylic
CP* Clear Polycarbonate
FG Frosted Glass (Tempered)
FA* Frosted Acrylic
FP* Frosted Polycarbonate
SG Seedy Glass
SA* Seedy Acrylic
HCG Horizontal Clear Glass (Tempered)
HFG Horizontal Frosted Glass (Tempered)
* 50w max wattage

9. Options: Matrix #: **BBU** Description: Battery Backup
PCB Photocell Button
TB Terminal Block
PCR3* 3 Pin Photo Control Receptacle
PCR5* 5 Pin Photo Control Receptacle
PCF7* 7 Pin Photo Control Receptacle
HSS House Side Shield

1. BBU test button location shall have visibility for testing on site. Consult factory for placement location.

2. ELA Can integrate client specified Wifi /remote control components upon request.

* See ELA for mounting options.

ELA Warranty info: Environmental Lighting for Architecture, Inc. (ELA) offers a Five (5) Year Warranty on all products exclusively manufactured by ELA. Furthermore, ELA offers a Five (5) Year Warranty on all LED and LED components; and guarantees that no fewer than 90% of the diodes in each fixture will still be operating during this time. Please contact ELA for the details of each warranty.