



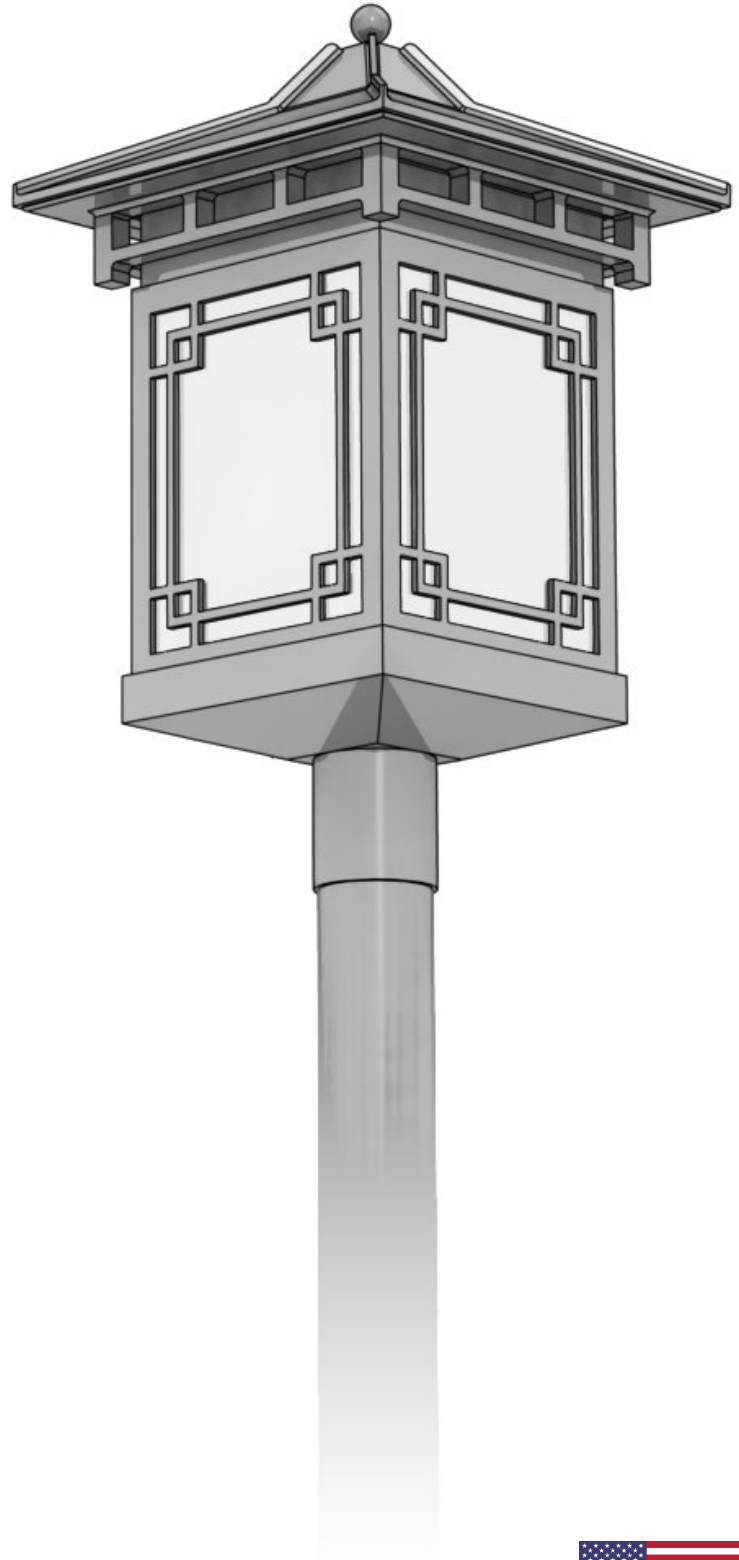
Project Name:	
Type:	

Environmental Lighting for Architecture, Inc.

Emperor - EMP LED Ordering Matrix

Emperor

A design inspired by classic Asian architecture, the Emperor is aesthetically crafted, well constructed, and is able to perform to today's stringent lighting standards. The Emperor is suitable for pole, cross arm, wall, or pendant mounting conditions. Among many other types of projects, the Emperor is often specified for parking lots, shopping malls, site and walkway lighting, roads and driveways, museums, libraries, schools, and much more. The Emperor can also meet the performance standards of today's lighting demands. It's available with an array of refractors or reflectors for all light distributions. Available in up to a maximum 135 watt of LED while still maintaining excellent light output. The Emperor perfectly mixes aesthetics with today's high performance requirements.



Fixture is "Buy America Act" Compliant Proudly Made in the U.S.A.



Project Name: _____
 Type: _____

Emperor - EMP LED Ordering Matrix

Environmental Lighting for Architecture, Inc.

1 **EMP** / 2 / 3 / 4 / 5 / 6 / 7 / 8 / 9

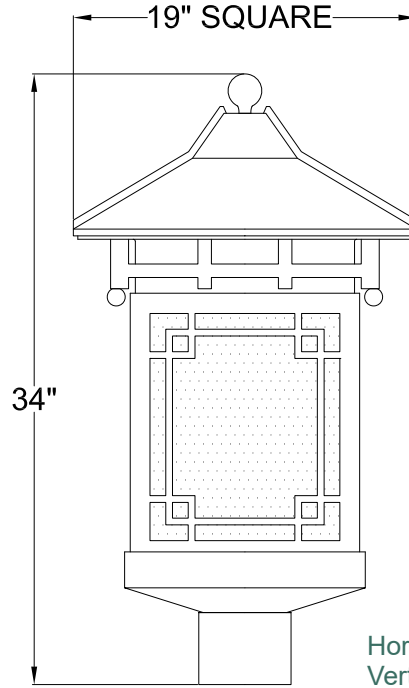
1. Fixture: Matrix #: **EMP** Description: Emperor Fixture

2. Size: Matrix #: **19** Weight: 42 lbs. EPA: 2.6

3. Mounting: Matrix #: **PF*** Post Fitter
PM* Pier Mount
WB* Wall Bracket

*Specify which pole is to be used. See ELA website for choices.

4. Optics: Matrix #: **H2** Type 2 - Horizontal
H3 Type 3 - Horizontal
H4 Type 4 - Horizontal
H5 Type 5 - Horizontal
 Horizontal
V3 Type 3 - Vertical
V5 Type 5 - Vertical
 Vertical



EMP / 19
 Horizontal Max: 135W
 Vertical Max: 120W

5. Lamping:		<u>Matrix #:</u>	<u>Description:</u>	<u>Diodes</u>	<u>Lumens*</u>	<u>Wattage*</u>	<u>Efficacy</u>	<u>LED Drive (mA)</u>	<u>Standard Dimming Type**</u>
		35LED	LED Board	24	3360	35	96	292	1-10VDC, Triac, Forward Phase
		69LED	LED Board	56	6624	69	95	575	1-10VDC, Triac, Forward Phase
		101LED	LED Board	100	9696	101	95	842	1-10VDC, Triac, Forward Phase
	Horizontal	135LED	LED Board	100	12960	135	95	1125	1-10VDC, Triac, Forward Phase
	Vertical	27LED	LED Corn Cob	81	2970	27	110	275	Line Voltage On-Board Transformer
		45LED	LED Corn Cob	135	4950	45	110	375	Line Voltage On-Board Transformer
		80LED	LED Corn Cob	234	8800	80	110	667	Line Voltage On-Board Transformer
		120LED	LED Corn Cob	336	13200	120	110	1000	Line Voltage On-Board Transformer

*Other wattages & lumens available upon request.

**Other dimming types available upon request.

6. Color Temps (k): Matrix #: **AM*** Amber Color Temp
27 2700k Color Temp
30 3000k Color Temp
40 4000k Color Temp
50 5000k Color Temp
 Note: Other color temperatures & RGB's available upon request.
 *Amber not available in corn cobs.

7. Voltage: Matrix #: **120** 120VAC
208 208VAC
240 240VAC
277 277VAC
347* 347VAC
480* 480VAC
 *Contact ELA for details.

8. Lens:

<u>Matrix #:</u> CG Clear Glass	<u>Matrix #:</u> SG Seedy Glass
CA Clear Acrylic	SA Seedy Acrylic
CP Clear Polycarbonate	HCG* Dark Skies Clear Glass
FG Frosted Glass	HFG* Dark Skies Frosted Glass
FA Frosted Acrylic	
FP Frosted Polycarbonate	

9. Finish: (Standard Powder Coat) Matrix #: **AG** Augustine Green
CC Charcoal
DB Dark Bronze
GY Architectural Gray
MG Malaga Green
MN Black - Midnight
PW Pewter
SB Statuary Bronze
VL Village Green
WH White
 Note: Custom colors available upon request.

10. Options:

1. BBU test button location shall have visibility for testing on site. Consult factory for placement location.	<u>Matrix #:</u> BBU** Battery Backup
2. BBU LED lumen output reduced in BBU mode.	PCB Photocell Button
3. ELA Can integrate client specified wifi /remote control components upon request.	ST Solid Top
	PCR3* 3 Pin Photo Control Receptacle
	PCR5* 5 Pin Photo Control Receptacle
	PCF7* 7 Pin Photo Control Receptacle
	HSS House Side Shield

ELA Warranty Info: Environmental Lighting for Architecture, Inc. (ELA) offers a Five (5) Year Warranty on all products exclusively manufactured by ELA. Furthermore, ELA offers a Five (5) Year Warranty on all LED and LED components; and guarantees that no fewer than 90% of the diodes in each fixture will still be operating during this time. Please contact ELA for the details of each warranty.

* See ELA for mounting options.
 ** Size 18 and Horizontal LED Option Only.