



Project Name:	
Type:	

Environmental Lighting for Architecture, Inc.

Embassy - EMB LED Ordering Matrix

Embassy

The Embassy is a decorative downlight with a white acrylic shade, which is fully operational with today's high performance and low energy lighting standards.

The Embassy produces maximum downlight with full cut-off optics and can be provided with up to 135 watts of LED, which produces 12960 lumens. Suitable for cross arm, pendant and wall mounted specifications; the Embassy is the perfect solution to light streets, outdoor shopping malls, government buildings, schools and universities, parking lots, as well as site and walkway lighting, and much more.



Fixture is "Buy America Act" Compliant Proudly Made in the U.S.A.



Project Name: _____
 Type: _____

Embassy - EMB LED Ordering Matrix

Environmental Lighting for Architecture, Inc.

1 **EMB** / 2 / 3 / 4 / 5 / 6 / 7 / 8 / 9

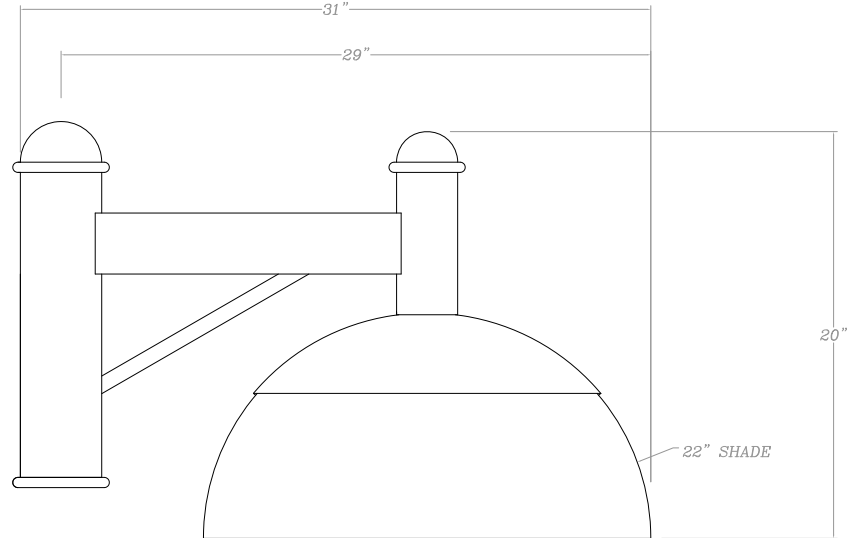
1. Fixture: Matrix #: **EMB** Description: Embassy Fixture

2. Size: Matrix #: **22** Weight: 32 lbs. EPA: 1.4

3. Mounting: Matrix #: **CA*** Cross Arm
PF* Post Fitter
PM* Pier Mount
WB* Wall Bracket

*Specify which pole is to be used. See ELA website for choices.

4. Optics: Matrix #: **H2** Type 2 - Horizontal
H3 Type 3 - Horizontal
H4 Type 4 - Horizontal
H5 Type 5 - Horizontal
Horizontal
Vertical **V3** Type 3 - Vertical
V5 Type 5 - Vertical



EMB / 22
Horizontal Max: 135W

5. Lamping:

	<u>Matrix #:</u>	<u>Description:</u>	<u>Diodes</u>	<u>Lumens*</u>	<u>Wattage*</u>	<u>Efficacy</u>	<u>LED Drive (mA)</u>	<u>Standard Dimming Type**</u>
	35LED	LED Board	24	3360	35	96	292	1-10VDC, Triac, Forward Phase
	50LED	LED Board	56	4800	50	96	417	1-10VDC, Triac, Forward Phase
	69LED	LED Board	56	6624	69	96	575	1-10VDC, Triac, Forward Phase
	101LED	LED Board	100	9696	101	96	842	1-10VDC, Triac, Forward Phase
<u>Horizontal</u>	135LED	LED Board	100	12960	135	96	1125	1-10VDC, Triac, Forward Phase
<u>Vertical</u>	18LED	LED Corn Cob	56	1980	18	110	183	Line Voltage On-Board Transformer
	27LED	LED Corn Cob	81	2970	27	110	275	Line Voltage On-Board Transformer
	36LED	LED Corn Cob	81	3960	36	110	367	Line Voltage On-Board Transformer

*Other wattages & lumens available upon request.
 **Other dimming types available upon request.

6. Color Temps (k):

<u>Matrix #:</u>	<u>Description:</u>
AM*	Amber Color Temp
27	2700k Color Temp
30	3000k Color Temp
40	4000k Color Temp
50	5000k Color Temp

Note: Other color temperatures & RGB's available upon request.
 *Amber not available in corn cobs.

7. Voltage:

<u>Matrix #:</u>	<u>Description:</u>
120	120VAC
208	208VAC
240	240VAC
277	277VAC
347*	347VAC
480*	480VAC

*Contact ELA for details.

8. Lens:

<u>Matrix #:</u>	<u>Description:</u>
OA	Opal Acrylic

9. Finish: (Standard Powder Coat)

<u>Matrix #:</u>	<u>Description:</u>
AG	Augustine Green
CC	Charcoal
DB	Dark Bronze
GY	Architectural Grey
MG	Malaga Green
MN	Black - Midnight
PW	Pewter
SB	Statuary Bronze
VL	Village Green
WH	White

Note: Custom colors available upon request.

10. Options:

<u>Matrix #:</u>	<u>Description:</u>
PCB	Photocell Button
PCR3*	3 Pin Photo Control Receptacle
PCR5*	5 Pin Photo Control Receptacle
PCF7*	7 Pin Photo Control Receptacle
HSS	House Side Shield

1. ELA Can integrate client specified wifi /remote control components upon request.
 * See ELA for mounting options.
 ** Size 18 and Horizontal LED Option ONLY.

ELA Warranty Info: Environmental Lighting for Architecture, Inc. (ELA) offers a Five (5) Year Warranty on all products exclusively manufactured by ELA. Furthermore, ELA offers a Five (5) Year Warranty on all LED and LED components; and guarantees that no fewer than 90% of the diodes in each fixture will still be operating during this time. Please contact ELA for the details of each warranty.