



Project Name:
Type:

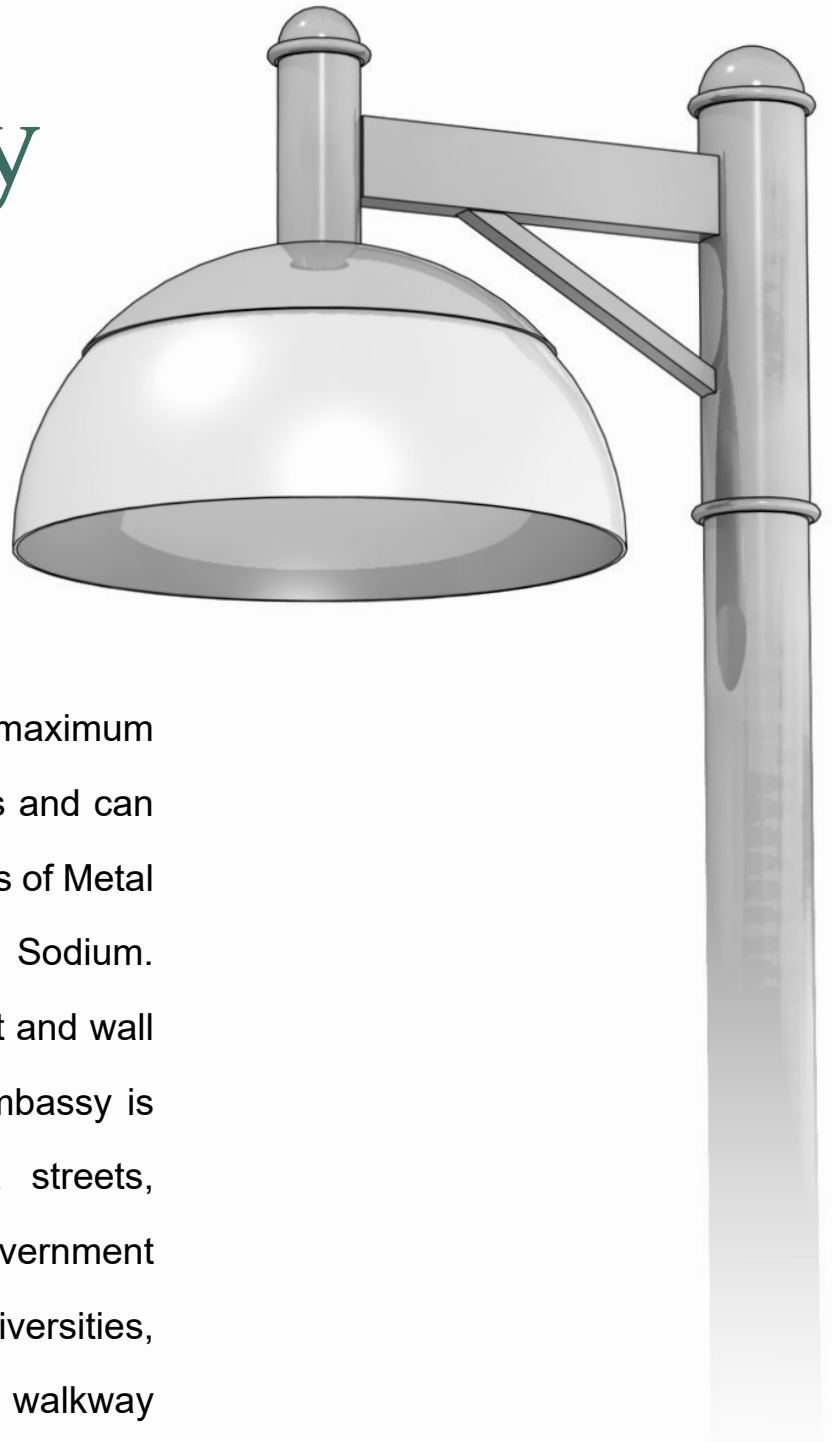
Environmental Lighting for Architecture, Inc.

Embassy - EMB HID Ordering Matrix

Embassy

The Embassy is a decorative downlight with a white acrylic shade, which is fully operational with today's high performance and low energy lighting standards.

The Embassy produces maximum downlight with full cut-off optics and can be provided with up to 150 watts of Metal Halide or High Pressure Sodium. Suitable for cross arm, pendant and wall mounted specifications; the Embassy is the perfect solution to light streets, outdoor shopping malls, government buildings, schools and universities, parking lots, as well as site and walkway lighting, and much more.



Fixture is "Buy America Act" Compliant Proudly Made in the U.S.A.



Project Name: _____
 Type: _____

Embassy - EMB HID Ordering Matrix

Environmental Lighting for Architecture, Inc.

1 **EMB** / 2 / 3 / 4 / 5 / 6 / 7 / 8 / 9

1. Fixture: Matrix #: **EMB** Description: Embassy Fixture

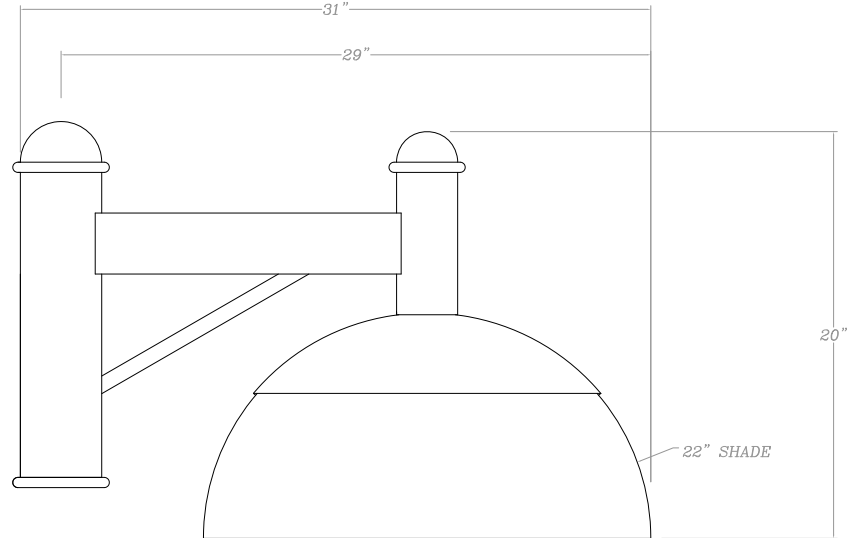
2. Size: Matrix #: **22** Weight: 32 lbs. EPA: 1.4

3. Mounting: Matrix #: **CA*** Description: Cross Arm
PF* Description: Post Fitter
PM* Description: Pier Mount
WB* Description: Wall Bracket

*Specify which pole is to be used. See ELA website for choices.

4. Optics:

Matrix #: **V5** Description: Type 5 - Vertical



EMB / 22
Vertical Max: 150W

* House Side Shield

5. Lamping: 1. Electronic ballast available for 50, 70, 100 and 150 watt MH lamps. 2. Other wattages and ballasts available. Consult factory.	<u>Description:</u> Pulse Start Metal Halide (Watts/Type) <u>Matrix #:</u> 50PSMH 70PSMH 100PSMH 150PSMH	<u>Description:</u> Metal Halide (Watts/Type) <u>Matrix #:</u> 50MH 70MH T6 70MH 100MH T6 150MH	<u>Description:</u> High Pressure Sodium (Watts/Type) <u>Matrix #:</u> 50HPS 70HPS 100HPS 150HPS	<u>Description:</u> Incandescent <u>Matrix #:</u> INC* *Note: Incandescent socket supplied will be E26 Medium-Base (suitable for lamping by others), unless otherwise specified.
--	--	---	--	---

6. Voltage:	<u>Matrix #:</u> 120 208 240 277 347 480	<u>Description:</u> 120VAC 208VAC 240VAC 277VAC 347VAC 480VAC
--------------------	--	---

7. Lens:	<u>Matrix #:</u> OA	<u>Description:</u> Opal Acrylic
-----------------	-------------------------------	-------------------------------------

8. Finish: (Standard Powder Coat)	<u>Matrix #:</u> AG CC DB GY MG MN PW SB VL WH	<u>Description:</u> Augustine Green Charcoal Dark Bronze Architectural Grey Malaga Green Black - Midnight Pewter Statuary Bronze Village Green White
---	--	--

Note: Custom colors available upon request.

9. Options:	<u>Matrix #:</u> PCB TB PCR3* PCR5* PCF7* HSS	<u>Description:</u> Photocell Button Terminal Block 3 Pin Photo Control Receptacle 5 Pin Photo Control Receptacle 7 Pin Photo Control Receptacle House Side Shield
--------------------	---	--

* See ELA for mounting options.

ELA Warranty Info: Environmental Lighting for Architecture, Inc. (ELA) offers a Five (5) Year Warranty on all products exclusively manufactured by ELA. Furthermore, ELA offers a Five (5) Year Warranty on all LED and LED components; and guarantees that no fewer than 90% of the diodes in each fixture will still be operating during this time. Please contact ELA for the details of each warranty.