



Project Name:
Type:

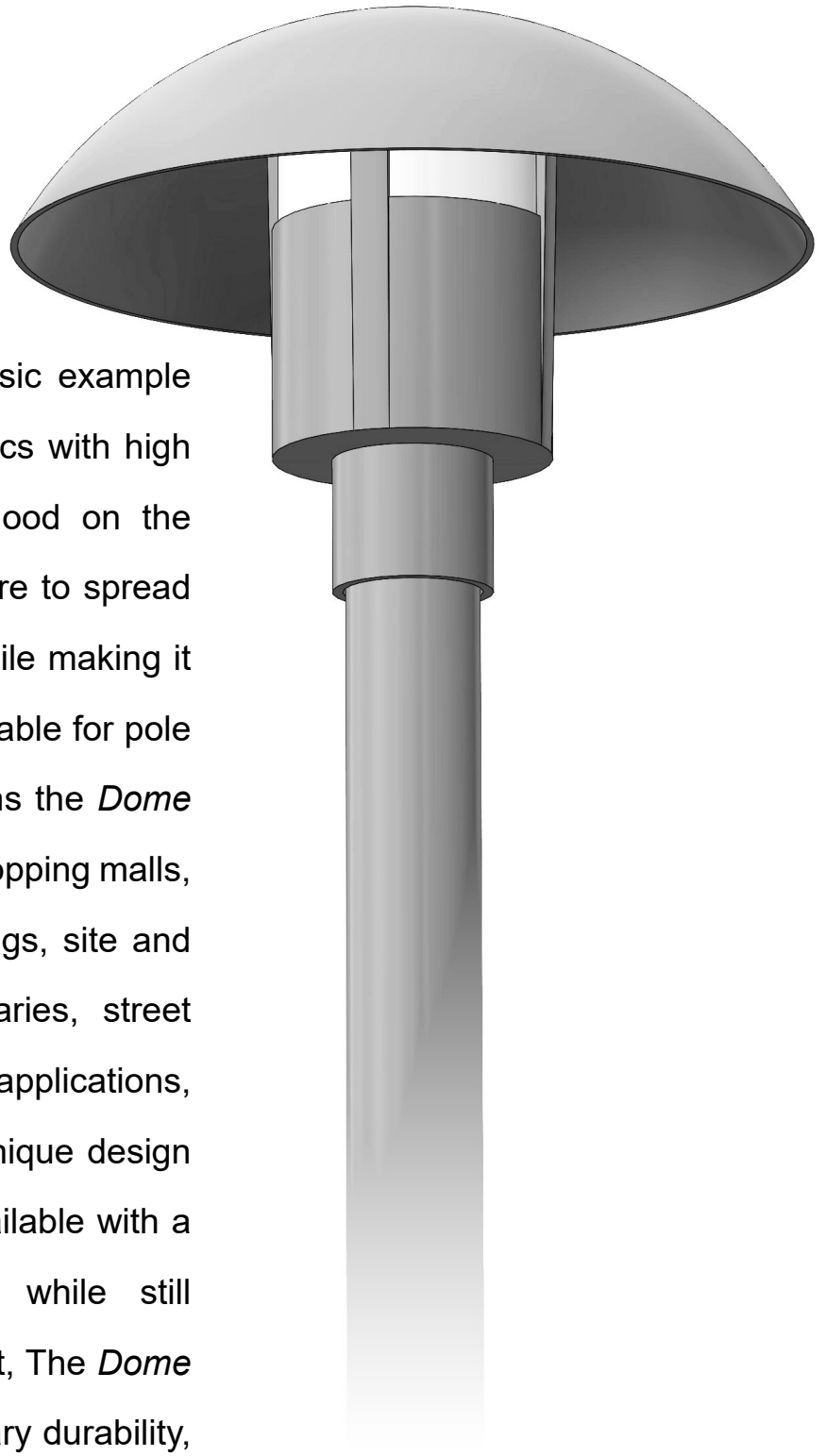
Environmental Lighting for Architecture, Inc.

Dome - DOM

LED Ordering Matrix

Dome

The Dome is a classic example matching contemporary aesthetics with high performance. The over-sized hood on the *Dome* enables this outdoor fixture to spread indirect light onto the ground while making it visually pleasing to the eye. Suitable for pole or cross arm mounting conditions the *Dome* is the perfect specification for shopping malls, parking lots, government buildings, site and walkway lighting, schools, libraries, street lighting, high-end residential applications, and much more. The Dome's unique design creates a natural full cut-off. Available with a maximum 45 watts in LED while still maintaining excellent light output, The *Dome* offers unique styling, extraordinary durability, and excellent lighting performance, including natural downlight.



Fixture is "Buy America Act" Compliant Proudly Made in the U.S.A.



Project Name: _____
 Type: _____

Dome - DOM LED Ordering Matrix

Environmental Lighting for Architecture, Inc.

1 **DOM** / 2 / 3 / 4 / 5 / 6 / 7 / 8 / 9

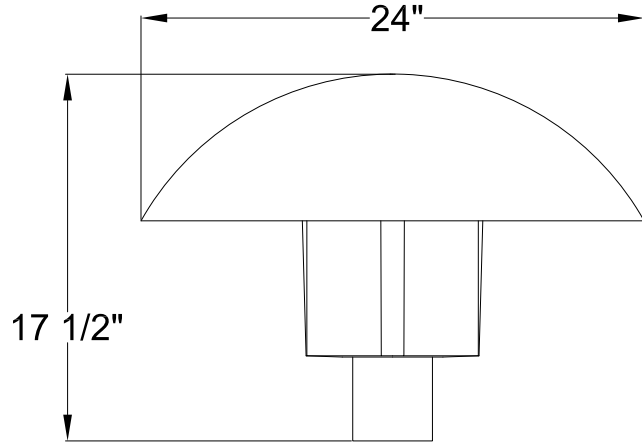
1. Fixture: Matrix #: **DOM** Description: Dome Fixture

2. Size: Matrix #: **24** Weight: 32 lbs. EPA: 0.9

3. Mounting: Matrix #: **CA*** Cross Arm
PF* Post Fitter
PM* Pier Mount
WB* Wall Bracket

*Specify which pole is to be used. See ELA website for choices.

4. Optics: Matrix #: **H2** Type 2 - Horizontal
H3 Type 3 - Horizontal
H4 Type 4 - Horizontal
H5 Type 5 - Horizontal
 Horizontal **V3** Type 3 - Vertical
 Vertical **V5** Type 5 - Vertical



DOM / 24
 Horizontal Max: 40W
 Vertical Max: 45W

5. Lamping:		<u>Matrix #:</u>	<u>Description:</u>	<u>Diodes</u>	<u>Lumens*</u>	<u>Wattage*</u>	<u>Efficacy</u>	<u>LED Drive (mA)</u>	<u>Standard Dimming Type**</u>
Horizontal		35LED	LED Board	24	3360	35	96	292	1-10VDC, Triac, Forward Phase
Vertical		18LED	LED Corn Cob	56	1980	18	110	183	Line Voltage On-Board Transformer
		27LED	LED Corn Cob	81	2970	27	110	275	Line Voltage On-Board Transformer
		36LED	LED Corn Cob	81	3960	36	110	367	Line Voltage On-Board Transformer
		45LED	LED Corn Cob	135	4950	45	110	458	Line Voltage On-Board Transformer

*Other wattages & lumens available upon request.

**Other dimming types available upon request.

6. Color Temps (k):		<u>Matrix #:</u>	<u>Description:</u>
		AM*	Amber Color Temp
		27	2700k Color Temp
		30	3000k Color Temp
		40	4000k Color Temp
		50	5000k Color Temp

Note: Other color temperatures & RGB's available upon request.
 *Amber not available in corn cobs.

7. Voltage:		<u>Matrix #:</u>	<u>Description:</u>
		120	120VAC
		208	208VAC
		240	240VAC
		277	277VAC
		347*	347VAC
		480*	480VAC

*Contact ELA for details.

8. Lens:		<u>Matrix #:</u>	<u>Description:</u>
		CA	Clear Acrylic
		CP	Clear Polycarbonate
		FA	Frosted Acrylic
		FP	Frosted Polycarbonate
		OA	Opal Acrylic

9. Finish:		<u>Matrix #:</u>	<u>Description:</u>
(Standard Powder Coat)		AG	Augustine Green
		CC	Charcoal
		DB	Dark Bronze
		GY	Architectural Grey
		MG	Malaga Green
		MN	Black - Midnight
		PW	Pewter
		SB	Statuary Bronze
		VL	Village Green
		WH	White

Note: Custom colors available upon request.

10. Options:		<u>Matrix #:</u>	<u>Description:</u>
		PCB	Photocell Button
		PCR3*	3 Pin Photo Control Receptacle
		PCR5*	5 Pin Photo Control Receptacle
		PCF7*	7 Pin Photo Control Receptacle
		HSS	House Side Shield

ELA Warranty Info: Environmental Lighting for Architecture, Inc. (ELA) offers a Five (5) Year Warranty on all products exclusively manufactured by ELA. Furthermore, ELA offers a Five (5) Year Warranty on all LED and LED components; and guarantees that no fewer than 90% of the diodes in each fixture will still be operating during this time. Please contact ELA for the details of each warranty.

1. ELA Can integrate client specified wifi /remote control components upon request.

* See ELA for mounting options.
 ** Size 18 and Horizontal LED Option ONLY.