



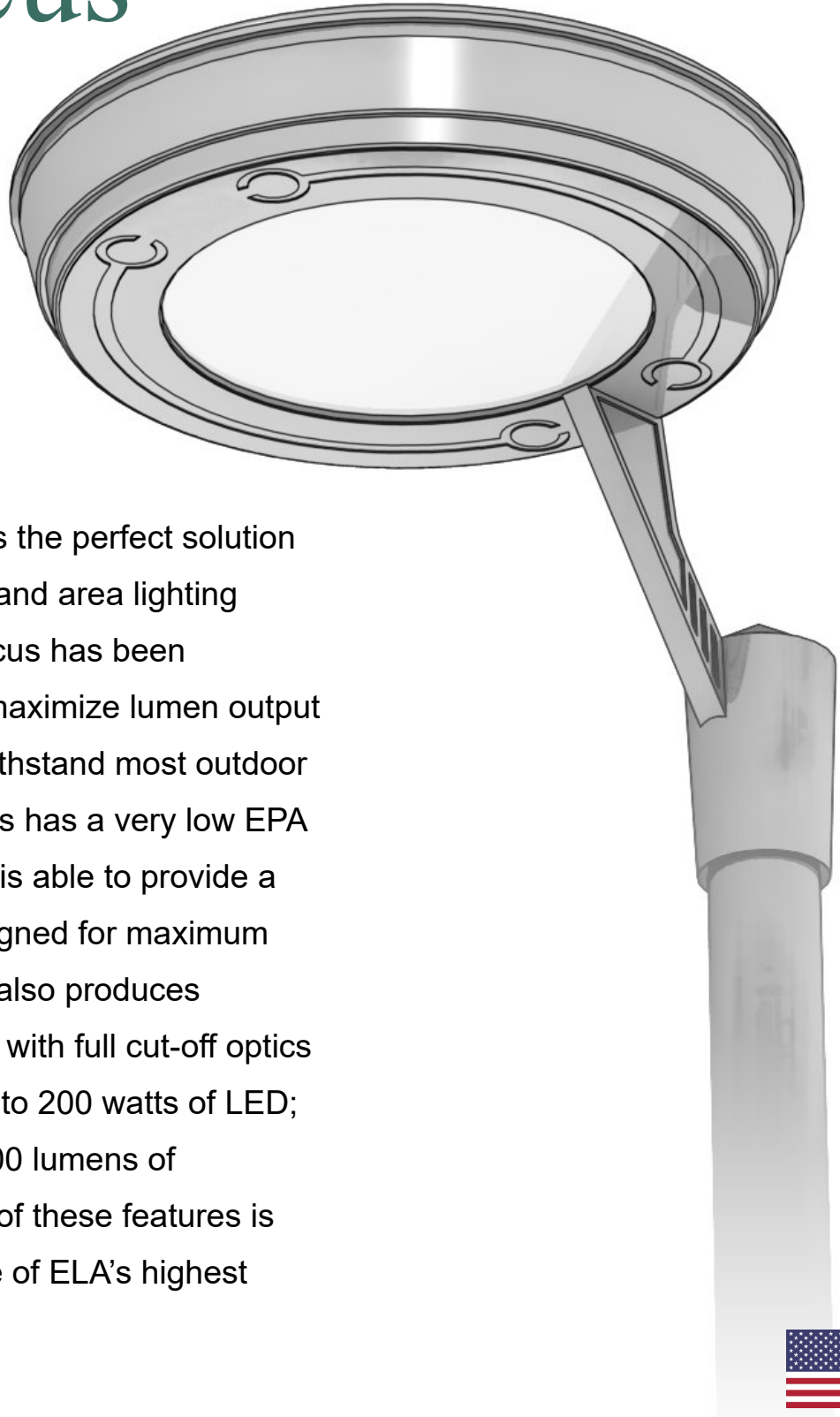
Project Name:
Type:

Environmental Lighting for Architecture, Inc.

# Discus - DCS

## LED Ordering Matrix

# Discus



The Discus fixture is the perfect solution for most outdoor site and area lighting applications. The Discus has been designed to provide maximize lumen output while being able to withstand most outdoor conditions. The Discus has a very low EPA at 0.8; and therefore, is able to provide a low wind rating. Designed for maximum durability, the Discus also produces maximum light output with full cut-off optics and is available in up to 200 watts of LED; which produces 19,200 lumens of downlight. Having all of these features is why the Discus is one of ELA's highest specified products.



Fixture is "Buy America Act" Compliant Proudly Made in the U.S.A.



Project Name: \_\_\_\_\_  
 Type: \_\_\_\_\_

# Discus - DCS LED Ordering Matrix

Environmental Lighting for Architecture, Inc.

1 **DCS** / 2 / 3 / 4 / 5 / 6 / 7 / 8 / 9 / 10

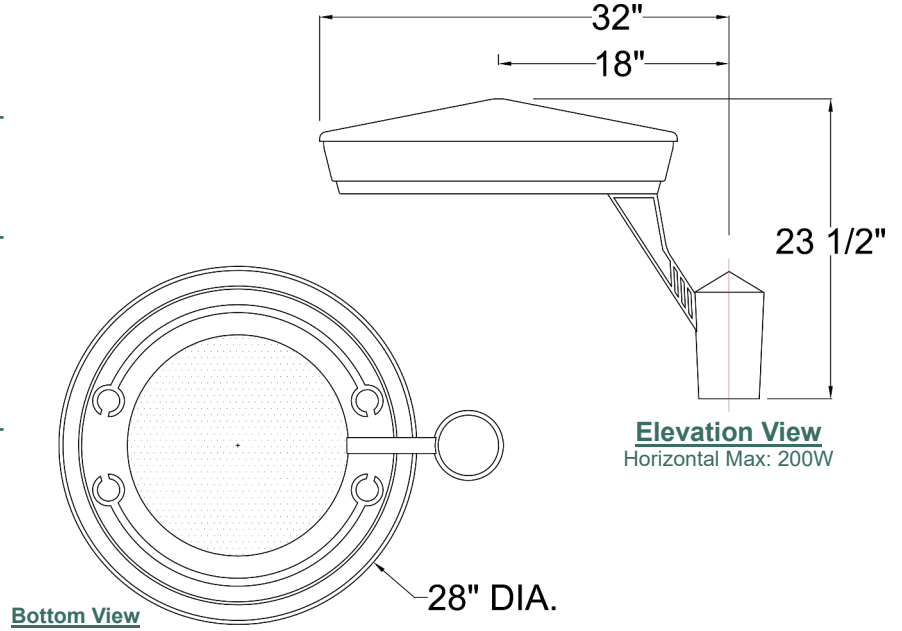
**1. Fixture:** Matrix #: **DCS** Description: Discus Fixture

**2. Size:** Matrix #: **28** Weight: 48 lbs. EPA: 0.8

**3. Mounting:** Matrix #: **CR\*** Description: Cross arm  
**PT\*** Post Top  
**BR\*** Wall Bracket

\*Specify which Cross arm, Pole, or Wall Bracket is to be used. See ELA website for choices.

**4. Distribution:** Matrix #: **H2** Description: Type 2 - Horizontal  
**H3** Type 3 - Horizontal  
**H4** Type 4 - Horizontal  
**H5** Type 5 - Horizontal



<b>5. Lamping:</b>	<u>Matrix #:</u>	<u>Description:</u>	<u>Diodes</u>	<u>Lumens*</u>	<u>Wattage*</u>	<u>Efficacy</u>	<u>LED Drive (mA)</u>	<u>Standard Dimming Type**</u>
Horizontal Only	<b>35LED</b>	LED Board	24	3360	35	96	292	1-10VDC, Triac, Forward Phase
	<b>50LED</b>	LED Board	56	4800	50	96	417	1-10VDC, Triac, Forward Phase
	<b>69LED</b>	LED Board	56	6624	69	96	575	1-10VDC, Triac, Forward Phase
	<b>101LED</b>	LED Board	100	9696	101	96	842	1-10VDC, Triac, Forward Phase
	<b>135LED</b>	LED Board	100	12960	135	96	1125	1-10VDC, Triac, Forward Phase
	<b>160LED</b>	LED Board	198	15360	160	96	1333	1-10VDC, Triac, Forward Phase
	<b>200LED</b>	LED Board	198	19200	200	96	1667	1-10VDC, Triac, Forward Phase

\*Other wattages & lumens available upon request.

\*\*Other dimming types available upon request.

**6. Color Temps (k):** Matrix #: **AM\*** Description: Amber Color Temp  
**27** 2700k Color Temp  
**30** 3000k Color Temp  
**40** 4000k Color Temp  
**50** 5000k Color Temp

Note: Other color temperatures & RGB's available upon request.

**7. Voltage:** Matrix #: **120** Description: 120VAC  
**208** 208VAC  
**240** 240VAC  
**277** 277VAC  
**347\*** 347VAC  
**480\*** 480VAC

\*Contact ELA for details.

**8. Lens:** Matrix #: **CG** Description: Clear Tempered Glass  
**FG** Frosted Tempered Glass  
**SG** Seedy Glass  
**OG** Opal Glass

1) All lens options are Full Cut-Off Compliant.

**9. Finish:** Matrix #: **AG** Description: Augustine Green  
**CC** Charcoal  
**DB** Dark Bronze  
**GY** Architectural Gray  
**MG** Malaga Green  
**MN** Black - Midnight  
**PW** Pewter  
**SB** Statuary Bronze  
**VL** Village Green  
**WH** White

Note: Custom colors available upon request.

**10. Options:** Matrix #: **BBU\*\*** Description: Battery Backup  
**PCB** Photocell Button  
**TB** Terminal Block  
**PCR3\*** 3 Pin Photo Control Receptacle  
**PCR5\*** 5 Pin Photo Control Receptacle  
**PCF7\*** 7 Pin Photo Control Receptacle  
**HSS** House Side Shield

1. BBU test button location shall have visibility for testing on site. Consult factory for placement location.

2. BBU LED lumen output reduced in BBU mode.

3. ELA Can integrate client specified Wifi /remote control components upon request.

\* See ELA for mounting options.  
 \*\* Horizontal LED option ONLY.

**ELA Warranty Info:**

Environmental Lighting for Architecture, Inc. (ELA) offers a Five (5) Year Warranty on all products exclusively manufactured by ELA. Furthermore, ELA offers a Five (5) Year Warranty on all LED and LED components; and guarantees that no fewer than 90% of the diodes in each fixture will still be operating during this time. Please contact ELA for the details of each warranty.