

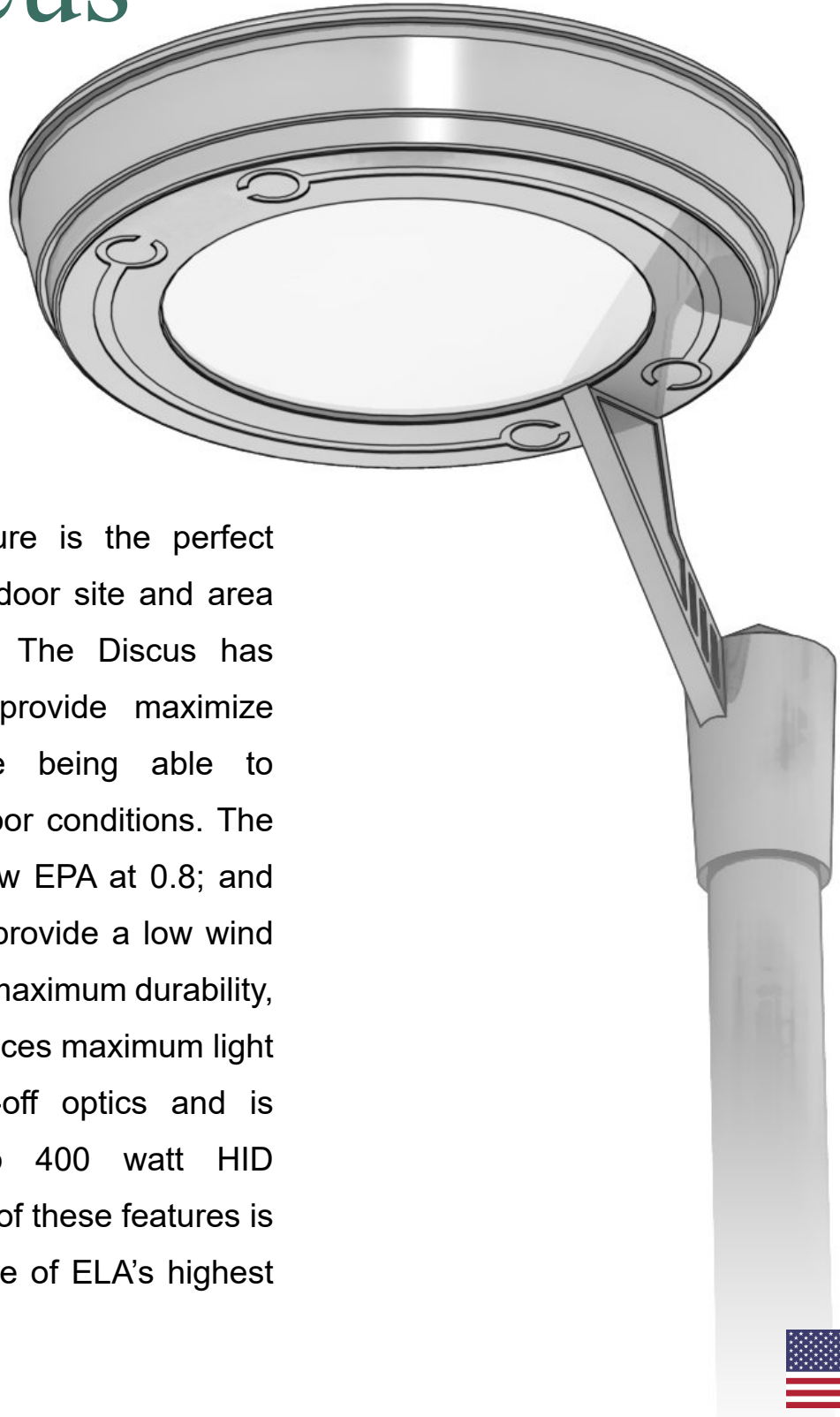


Project Name:
Type:

Environmental Lighting for Architecture, Inc.

Discus - DCS HID Ordering Matrix

Discus



The Discus fixture is the perfect solution for most outdoor site and area lighting applications. The Discus has been designed to provide maximize lumen output while being able to withstand most outdoor conditions. The Discus has a very low EPA at 0.8; and therefore, is able to provide a low wind rating. Designed for maximum durability, the Discus also produces maximum light output with full cut-off optics and is available in up to 400 watt HID downlight. Having all of these features is why the Discus is one of ELA's highest specified products.



Fixture is "Buy America Act" Compliant Proudly Made in the U.S.A.



Project Name:
Type:

Discus - DCS HID Ordering Matrix

Environmental Lighting for Architecture, Inc.

1	2	3	4	5	6	7	8	9
DCS								

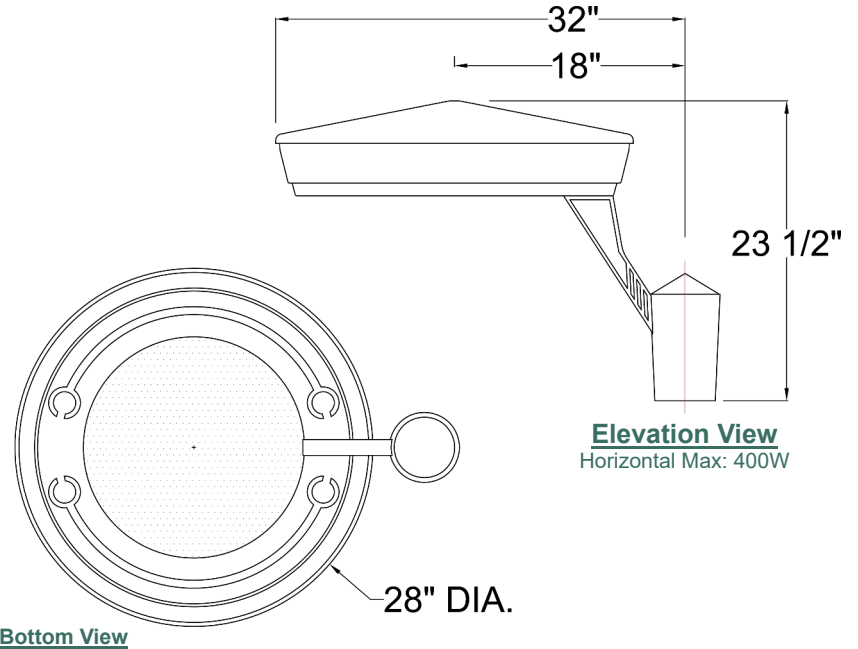
1. Fixture: Matrix #: Description:
DCS **DCS** Discus Fixture

2. Size: Matrix #: Weight: EPA:
28 48 lbs. 0.8

3. Mounting: Matrix #: Description:
CR* Cross arm
PT* Post Top
BR* Wall Bracket

*Specify which Cross arm, Pole, or Wall Bracket is to be used. See ELA website for choices.

4. Optics: Matrix #: Description:
Horizontal Only **H2** Type 2 - Horizontal
 H3 Type 3 - Horizontal
 H4 Type 4 - Horizontal
 H5 Type 5 - Horizontal



Elevation View
Horizontal Max: 400W

Bottom View

5. Ballast: <u>Description:</u> Pulse Start Metal Halide (Watts/Type) <u>Matrix #:</u> 50PSMH 70PSMH 100PSMH 150PSMH 200PSMH 320PSMH 350PSMH 400PSMH	<u>Description:</u> Metal Halide (Watts/Type) <u>Matrix #:</u> 50MH 70MH T6 70MH 100MH T6 150MH 250MH 350MH 400MH	<u>Description:</u> High Pressure Sodium (Watts/Type) <u>Matrix #:</u> 50HPS 70HPS 100HPS 150HPS 250HPS 400HPS	<u>Description:</u> Incandescent <u>Matrix #:</u> INC* *Note: Incandescent socket supplied will be E26 Medium-Base (suitable for lamping by others), unless otherwise specified.

6. Voltage:	<u>Matrix #:</u>	<u>Description:</u>
	120	120VAC
	208	208VAC
	240	240VAC
	277	277VAC
	347	347VAC
	480	480VAC

7. Lens:	<u>Matrix #:</u>	<u>Description:</u>
	CG	Clear Glass (Tempered)
	FG	Frosted Glass (Tempered)
	SG	Seedy Glass
	OG	Opal Glass

1) All lens options are Full Cut-Off Compliant.

8. Finish: <small>(Standard Powder Coat)</small>	<u>Matrix #:</u>	<u>Description:</u>
	AG	Augustine Green
	CC	Charcoal
	DB	Dark Bronze
	GY	Architectural Grey
	MG	Malaga Green
	MN	Black - Midnight
	PW	Pewter
	SB	Statuary Bronze
	VL	Village Green
	WH	White

Note: Custom colors available upon request.

9. Options:	<u>Matrix #:</u>	<u>Description:</u>
	BBU	Battery Backup
	PCB	Photocell Button
	TB	Terminal Block
	PCR3*	3 Pin Photo Control Receptacle
	PCR5*	5 Pin Photo Control Receptacle
	PCF7*	7 Pin Photo Control Receptacle
	HSS	House Side Shield

ELA Warranty Info: Environmental Lighting for Architecture, Inc. (ELA) offers a Five (5) Year Warranty on all products exclusively manufactured by ELA. Furthermore, ELA offers a Five (5) Year Warranty on all LED and LED components; and guarantees that no fewer than 90% of the diodes in each fixture will still be operating during this time. Please contact ELA for the details of each warranty.