



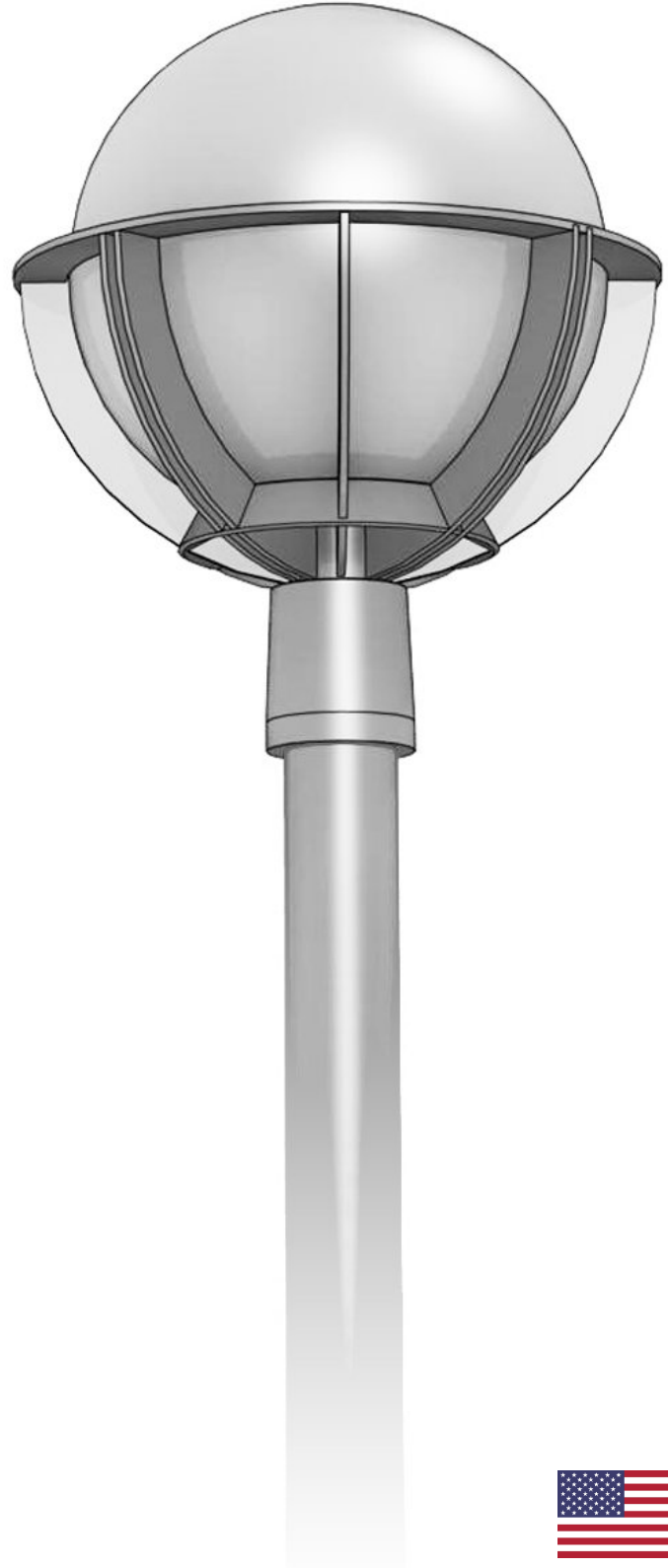
Project Name:
Type:

Environmental Lighting for Architecture, Inc.

## Courtyard - CRT HID Ordering Matrix

# Courtyard

The Courtyard has been a staple in ELA's line of decorative site lighting for many years. Available with an 18" globe in an assortment of materials and diffusers, this contemporary design will fulfill the design requirements for many of today's lighting applications. Suitable for pole, cross arm, or wall mounting conditions, the Courtyard is the perfect specification for many shopping malls, parking lots, walkway lighting, schools, libraries, theaters, high-end residential applications and, yes, Courtyards. Available with a maximum 100 watts of HID power, the Courtyard offers unique contemporary styling, extraordinary durability, and low-energy options for many types of projects.



Fixture is "Buy America Act" Compliant Proudly Made in the U.S.A.



Project Name:
Type:

# Courtyard - CRT HID Ordering Matrix

Environmental Lighting for Architecture, Inc.

1	2	3	4	5	6	7	8	9
<b>CRT</b>								

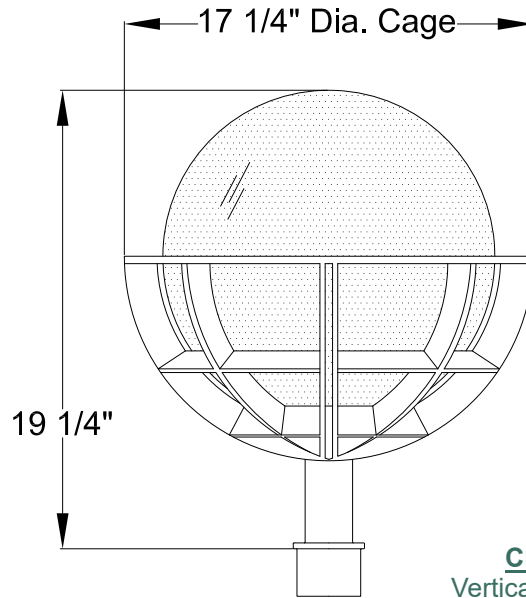
**1. Fixture:**      Matrix #:      Description:  
**CRT**                      Courtyard Fixture

**2. Size:**              Matrix #:      Weight:      EPA:  
**14**                      20                      1.5

**3. Mounting:**      Matrix #:      Description:  
**CR\***                      Cross Arm  
**PT\***                      Post Top  
**BR\***                      Wall Bracket  
**CP**                        Chain Pendant  
**SP**                        Stem Pendant  
**PM\***                      Pier Mount

\*Specify which Cross Arm, Pole, or Wall Bracket is to be used. See ELA website for choices.

**4. Distribution:**      Matrix #:      Description:  
**V3**                        Type 3 - Vertical  
**V5**                        Type 5 - Vertical



**CRT / 14**  
Vertical Max: 45W

<b>5. Lamping:</b>  <small>1. Electronic ballast available for 50, 70, and 100 watt MH lamps. 2. Other wattages and ballasts available. Consult factory.</small>	<u>Description:</u> Pulse Start Metal Halide (Watts/Type)  <u>Matrix #:</u> <b>50PSMH</b> <b>70PSMH</b> <b>100PSMH</b>	<u>Description:</u> Metal Halide (Watts/Type)  <u>Matrix #:</u> <b>50MH</b> <b>70MH</b> <b>T6 70MH</b> <b>100MH</b>	<u>Description:</u> High Pressure Sodium (Watts/Type)  <u>Matrix #:</u> <b>50HPS</b> <b>70HPS</b> <b>100HPS</b>	<u>Description:</u> Incandescent  <u>Matrix #:</u> <b>INC*</b>  <small>*Note: Incandescent socket supplied will be E26 Medium-Base (suitable for lamping by others), unless otherwise specified.</small>
--	--	--	---	--

**6. Voltage:**              Matrix #:      Description:  
**120**                      120VAC  
**208**                      208VAC  
**240**                      240VAC  
**277**                      277VAC  
**347**                      347VAC  
**480**                      480VAC

**7. Lens:**                      Matrix #:      Description:  
**CA**                        Clear Acrylic Globe  
**FA**                        Frosted Acrylic Globe  
**OA**                        Opal Acrylic Globe

**8. Finish:**  
(Standard Powder Coat)  
Matrix #:      Description:  
**AG**                      Augustine Green  
**CC**                      Charcoal  
**DB**                      Dark Bronze  
**GY**                      Architectural Grey  
**MG**                      Malaga Green  
**MN**                      Black - Midnight  
**PW**                      Pewter  
**SB**                      Statuary Bronze  
**VL**                      Village Green  
**WH**                      White

**9. Options:**                      Matrix #:      Description:  
**PCB**                      Photocell Button  
**TB**                        Terminal Block  
**PCR3\***                      3 Pin Photo Control Receptacle  
**PCR5\***                      5 Pin Photo Control Receptacle  
**PCF7\***                      7 Pin Photo Control Receptacle  
**HSS**                      House Side Shield

1. ELA Can integrate client specified Wifi, remote control components upon request.

\* See ELA for mounting options.

Note: Custom colors available upon request.

**ELA Warranty Info:** Environmental Lighting for Architecture, Inc. (ELA) offers a Five (5) Year Warranty on all products exclusively manufactured by ELA. Furthermore, ELA offers a Five (5) Year Warranty on all LED and LED components; and guarantees that no fewer than 90% of the diodes in each fixture will still be operating during this time. Please contact ELA for the details of each warranty.