



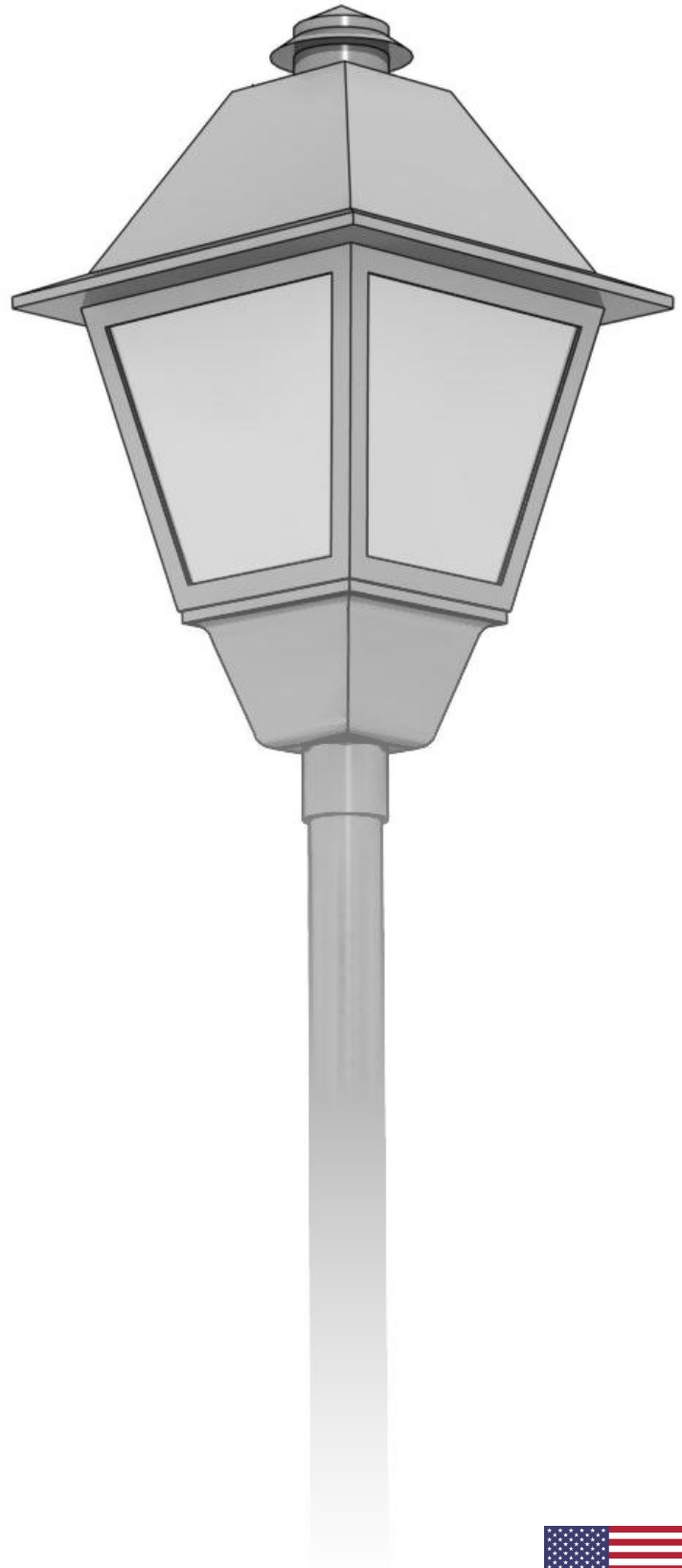
Project Name:
Type:

Environmental Lighting for Architecture, Inc.

Columbia - CLM LED Ordering Matrix

Columbia

The Columbia is a traditional 4-sided lantern; which is available in two sizes, with each size available with several base styles. The Columbia offers a smooth, tapered hood with an optional decorative chimney; while generating up 135 watts of LED, producing 12960 lumens. The Columbia, which can be provided with several styles of side lenses or no side lenses for full cut-off optics, is often specified for court houses, museums, historical sites, piers and harbors, parking lots, site and walkway lighting, and much more.



Fixture is "Buy America Act" Compliant Proudly Made in the U.S.A.



Project Name: _____
 Type: _____

Columbia - CLM LED Ordering Matrix

Environmental Lighting for Architecture, Inc.

1 **CLM** / 2 / 3 / 4 / 5 / 6 / 7 / 8 / 9

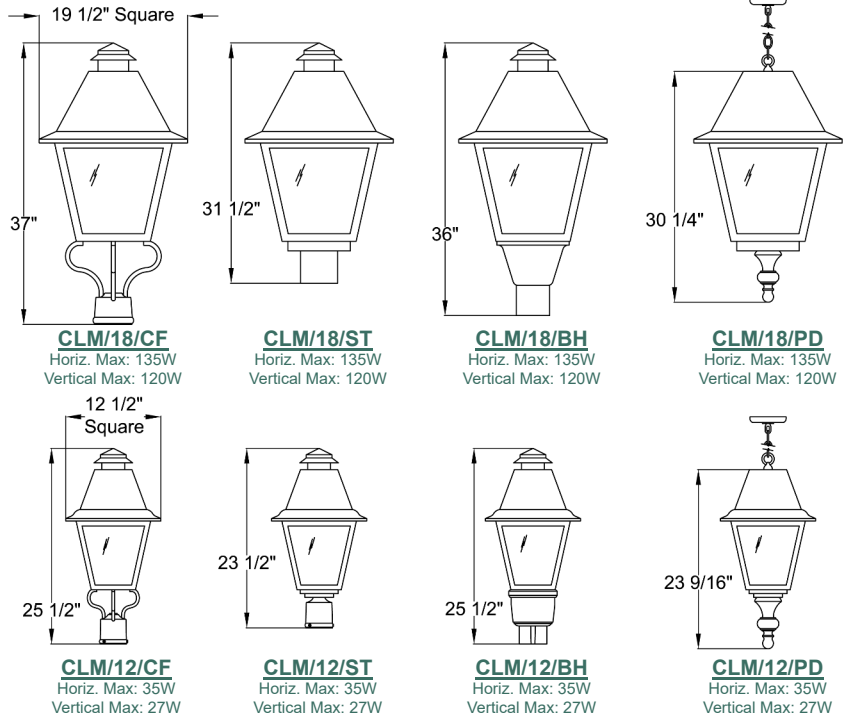
1. Fixture: Matrix #: **CLM** Description: Columbia Fixture

2. Size: Matrix #: **18** Weight: **36 lbs.** EPA: **2.0**
12 Weight: **27 lbs.** EPA: **1.0**

3. Mounting: Matrix #: **PD** Description: Pendant
PF* Post Fitter
SF* Slip Fitter
CF* Convex Fork

*Specify which pole is to be used. See ELA website for choices.

4. Optics: Matrix #: **H2** Description: Type 2 - Horizontal
H3 Type 3 - Horizontal
H4 Type 4 - Horizontal
Horizontal **H5** Type 5 - Horizontal
Vertical **V3** Type 3 - Vertical
V5 Type 5 - Vertical



5. Lamping:		Matrix #:	Description:	Diodes	Lumens*	Wattage*	Efficacy	LED Drive (mA)	Standard Dimming Type**
		35LED	LED Board	24	3360	35	96	292	1-10VDC, Triac, Forward Phase
		69LED	LED Board	56	6624	69	95	575	1-10VDC, Triac, Forward Phase
		101LED	LED Board	100	9696	101	95	842	1-10VDC, Triac, Forward Phase
Horizontal		135LED	LED Board	100	12960	135	95	1125	1-10VDC, Triac, Forward Phase
Vertical		27LED	LED Corn Cob	81	2970	27	110	275	Line Voltage On-Board Transformer
		45LED	LED Corn Cob	135	4950	45	110	375	Line Voltage On-Board Transformer
		80LED	LED Corn Cob	234	8800	80	110	667	Line Voltage On-Board Transformer
		120LED	LED Corn Cob	336	13200	120	110	1000	Line Voltage On-Board Transformer

*Other wattages & lumens available upon request.
 **Other dimming types available upon request.

6. Color Temps (k): Matrix #: **AM*** Description: Amber Color Temp
27 2700k Color Temp
30 3000k Color Temp
40 4000k Color Temp
50 5000k Color Temp
 Note: Other color temperatures & RGB's available upon request.
 *Amber not available in corn cobs.

7. Voltage: Matrix #: **120** Description: 120VAC
208 208VAC
240 240VAC
277 277VAC
347* 347VAC
480* 480VAC
 *Contact ELA for details.

8. Lens:

Matrix #:	Description:	Matrix #:	Description:
CG	Clear Glass	SG	Seedy Glass
CA	Clear Acrylic	SA	Seedy Acrylic
CP	Clear Polycarbonate	HCG*	Dark Skies Clear Glass
FG	Frosted Glass	HFG*	Dark Skies Frosted Glass
FA	Frosted Acrylic		
FP	Frosted Polycarbonate		

9. Finish: (Standard Powder Coat) Matrix #: **AG** Description: Augustine Green
CC Charcoal
DB Dark Bronze
GY Architectural Gray
MG Malaga Green
MN Black - Midnight
PW Pewter
SB Statuary Bronze
VL Village Green
WH White
 Note: Custom colors available upon request.

10. Options:

1. BBU test button location shall have visibility for testing on site. Consult factory for placement location.	Matrix #:	Description:
	BBU**	Battery Backup
	PCB	Photocell Button
	ST	Solid Top
2. BBU LED lumen output reduced in BBU mode.	PCR3*	3 Pin Photo Control Receptacle
	PCR5*	5 Pin Photo Control Receptacle
3. ELA Can integrate client specified wifi /remote control components upon request.	PCF7*	7 Pin Photo Control Receptacle
	HSS	House Side Shield

ELA Warranty Info: Environmental Lighting for Architecture, Inc. (ELA) offers a Five (5) Year Warranty on all products exclusively manufactured by ELA. Furthermore, ELA offers a Five (5) Year Warranty on all LED and LED components; and guarantees that no fewer than 90% of the diodes in each fixture will still be operating during this time. Please contact ELA for the details of each warranty.

* See ELA for mounting options.
 ** Size 18 and Horizontal LED Option Only.