



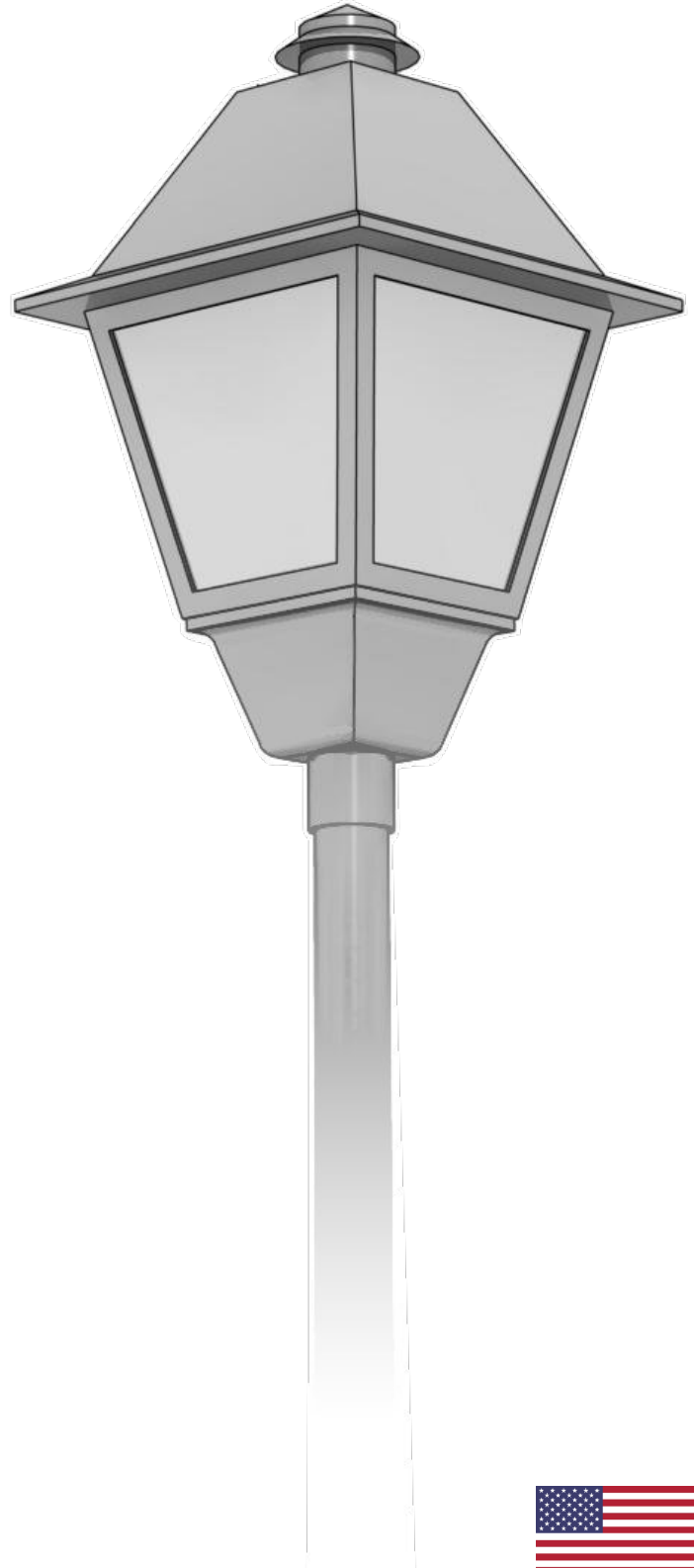
Project Name:
Type:

Environmental Lighting for Architecture, Inc.

Columbia - CLM HID Ordering Matrix

Columbia

The Columbia is a traditional 4-sided lantern; which is available in two sizes, with each size available with several base styles. The Columbia offers a smooth, tapered hood with a decorative chimney; while generating up to 250 watts in HID. The Columbia, which can be provided with several styles of side lenses or no side lenses for full cut-off optics, is often specified for court houses, museums, historical sites, piers and harbors, parking lots, site and walkway lighting, and much more.



Fixture is "Buy America Act" Compliant Proudly Made in the U.S.A.



Project Name: _____
 Type: _____

Columbia - CLM HID Ordering Matrix

Environmental Lighting for Architecture, Inc.

1 **CLM** / 2 / 3 / 4 / 5 / 6 / 7 / 8 / 9

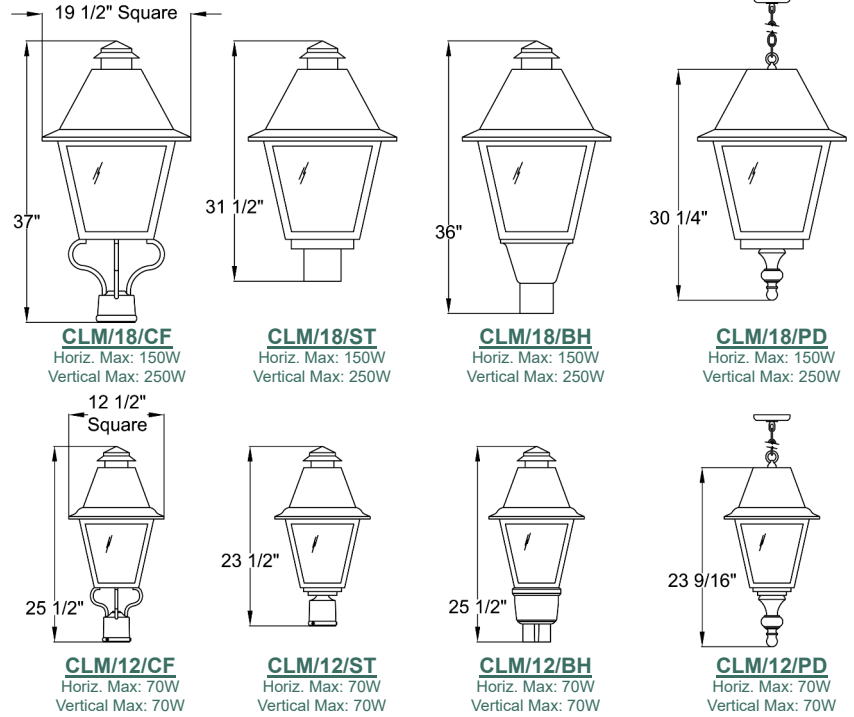
1. Fixture:	<u>Matrix #:</u> CLM	<u>Description:</u> Columbia Fixture
2. Size:	<u>Matrix #:</u> 18 12	<u>Weight:</u> 36 lbs. 27 lbs.
		<u>EPA:</u> 2.0 1.0
3. Mounting:	<u>Matrix #:</u> CF* ST* BH* PD	<u>Description:</u> Convex Fork Step Housing Ballast Housing Pendant

*Specify which pole is to be used.
 See ELA website for choices.

4. Distribution:	<u>Matrix #:</u> H2 H3♦ H4 H5♦	<u>Description:</u> Type 2 - Horizontal Type 3 - Horizontal Type 4 - Horizontal Type 5 - Horizontal
	Horizontal	
	Vertical	V3* V5
		Type 3 - Vertical Type 5 - Vertical

1. Vertical optics fit a mtogul base socket.
 2. Horizontal only use medium base socket, unless otherwise specified.

* Glass refractor required.
 ♦ Fits CLM/18 horizontal only.



5. Lamping:	<u>Description:</u> Pulse Start Metal Halide (Watts/Type)
	<u>Matrix #:</u> 50PSMH 70PSMH 100PSMH■ 150PSMH■ 175PSMH■♦ 200PSMH■♦ 250PSMH■♦
	1. Electronic ballast available for 50, 70, 100, and 150 watt MH lamps. 2. Other wattages and ballasts available. Consult factory. ■ Only fits CLM/18. ♦ CLM/18 fits vertical only.

<u>Description:</u> Metal Halide (Watts/Type)
<u>Matrix #:</u> 50MH 70MH T6 70MH 100MH■ T6 150MH■

<u>Description:</u> High Pressure Sodium (Watts/Type)
<u>Matrix #:</u> 50HPS 70HPS 100HPS■ 150HPS■ 200HPS■ 250HPS■

<u>Description:</u> Incandescent
<u>Matrix #:</u> INC*
*Note: Incandescent socket supplied will be E26 Medium-Base (suitable for lamping by others), unless otherwise specified.

6. Voltage:	<u>Matrix #:</u> 120 208 240 277 347 480	<u>Description:</u> 120VAC 208VAC 240VAC 277VAC 347VAC 480VAC
--------------------	--	---

8. Finish: (Standard Powder Coat)	<u>Matrix #:</u> AG CC DB GY MG MN PW SB VL WH	<u>Description:</u> Augustine Green Charcoal Dark Bronze Architectural Grey Malaga Green Black - Midnight Pewter Statuary Bronze Village Green White
Note: Custom colors available upon request.		

7. Lens:	<u>Matrix #:</u> CG CA* CP* FG FA* FP* SG SA* HCG HFG	<u>Description:</u> Clear Glass (Tempered) Clear Acrylic Clear Polycarbonate Frosted Glass (Tempered) Frosted Acrylic Frosted Polycarbonate Seedy Glass Seedy Acrylic Horizontal Clear Glass (Tempered) Horizontal Frosted Glass (Tempered)
* 50w max wattage fits DLW/12 only.		

9. Options:	<u>Matrix #:</u> BBU PCB TB PCR3* PCR5* PCF7* HSS	<u>Description:</u> Battery Backup Photocell Button Terminal Block 3 Pin Photo Control Receptacle 5 Pin Photo Control Receptacle 7 Pin Photo Control Receptacle House Side Shield
1. BBU test button location shall have visibility for testing on site. Consult factory for placement location. 2. ELA Can integrate client specified Wifi/remote control components upon request. * See ELA for mounting options.		

ELA Warranty info: Environmental Lighting for Architecture, Inc. (ELA) offers a Five (5) Year Warranty on all products exclusively manufactured by ELA. Furthermore, ELA offers a Five (5) Year Warranty on all LED and LED components; and guarantees that no fewer than 90% of the diodes in each fixture will still be operating during this time. Please contact ELA for the details of each warranty.