



Project Name:
Type:

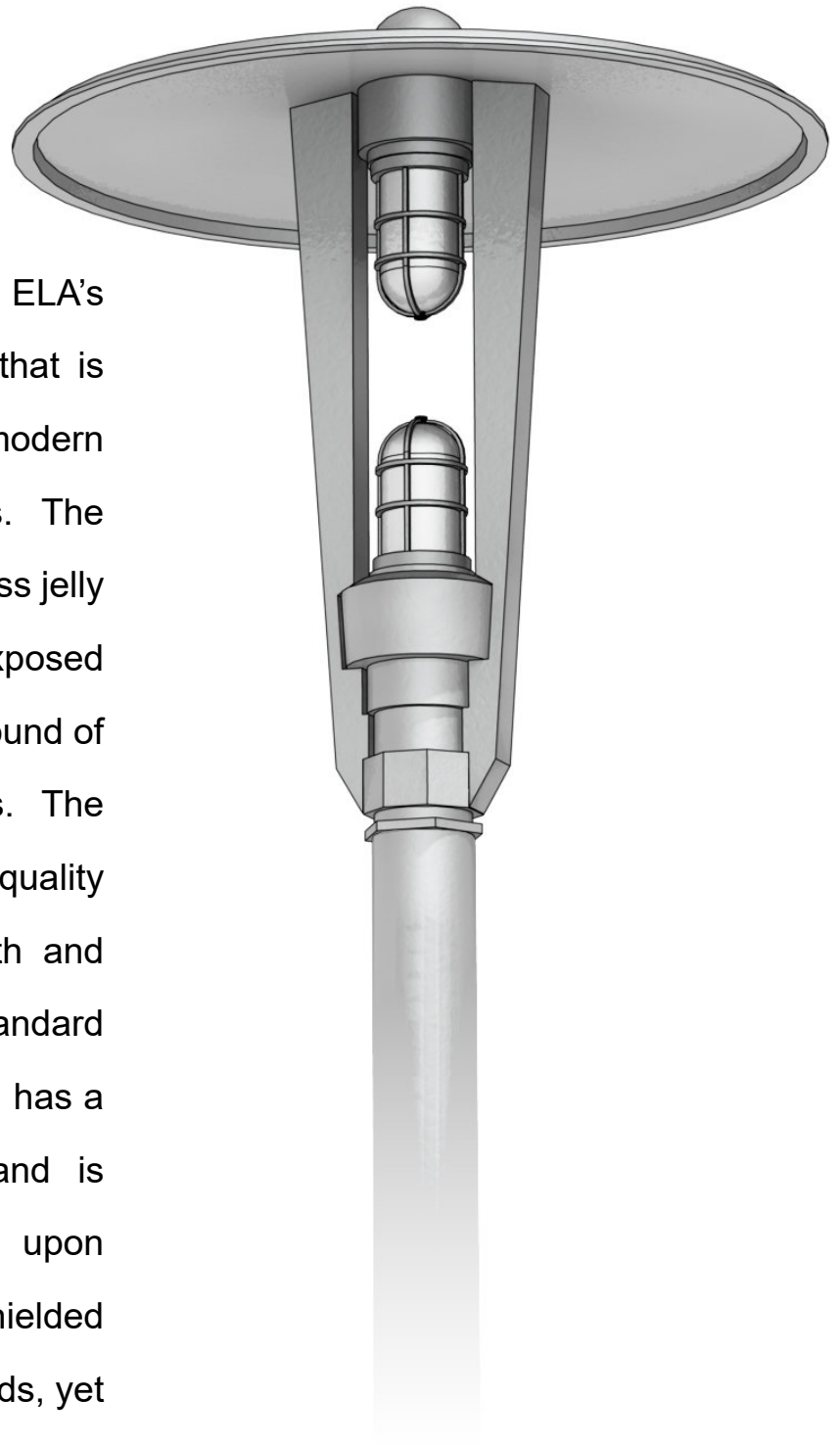
Environmental Lighting for Architecture, Inc.

Bayou - BYU

HID Ordering Matrix

Bayou

The Bayou is part of ELA's contemporary style of fixtures that is aimed to fill the need for modern architecture and surroundings. The Bayou has a pair of shielded glass jelly jars that are intentionally left exposed to allow plenty of light on the ground of walkways and meeting areas. The Bayou is constructed of high quality aluminum that ensures strength and longevity. The Bayou has a standard factory powder coat finish which has a high resistance to chipping and is available in custom colors upon request. Both jelly jars are shielded from damage by aluminum guards, yet allow for tool-less re-lamping and maintenance.





Project Name:
Type:

Bayou - BYU

HID Ordering Matrix

Environmental Lighting for Architecture, Inc.

1	2	3	4	5	6	7	8	9
BYU								

1. Fixture: Matrix #: Description:
 BYU BYU Bayou Fixture

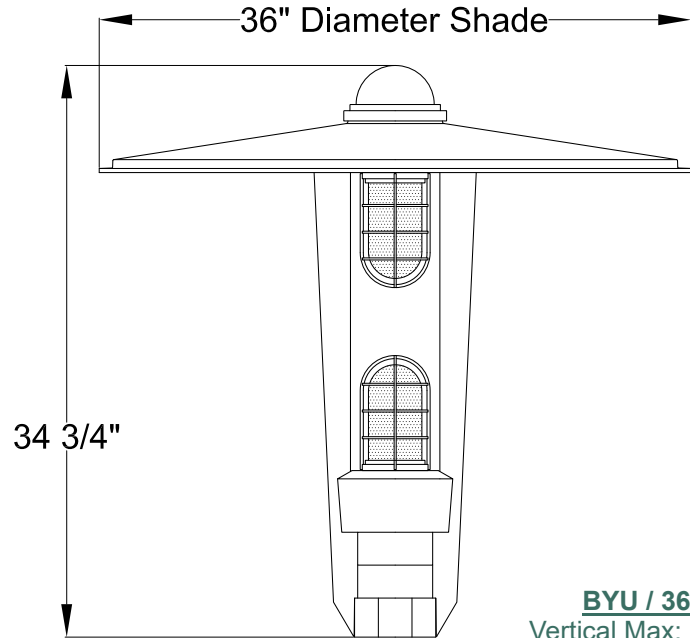
2. Size: Matrix #: Weight: EPA:
 36 36 75 lbs. 1.2

3. Mounting: Matrix #: Description:
 CR* Cross Arm
 PT* Post Top
 BR* Wall Bracket
 PM Pier Mount

*Specify which Cross Arm, Pole, or Wall Bracket is to be used. See ELA website for choices.

4. Distribution: Matrix #: Description:
 V3* Type 3 - Vertical
 V5 Type 5 - Vertical

* Requires House Side Shield inside lens assembly.



BYU / 36
 Vertical Max: 14W

5. Lamping: Description: Incandescent

Matrix #: **INC**

*Note: Incandescent socket supplied will be E26 Medium-Base (suitable for lamping by others), unless otherwise specified.

1. Other wattages and ballasts available. Consult factory.

6. Voltage: Matrix #: Description:
 120 120VAC
 208 208VAC
 240 240VAC
 277 277VAC
 347 347VAC
 480 480VAC

7. Lens: Matrix #: Description:
 CP Clear Polycarbonate (UNI/24 only)
 FG Frosted Polycarbonate (UNI/24 only)
 CG Clear Glass (UNI/13 only)
 FG Frosted Glass (UNI/13 only)

8. Finish: Matrix #: Description:
 (Standard Powder Coat)
 AG Augustine Green
 CC Charcoal
 DB Dark Bronze
 GY Architectural Grey
 MG Malaga Green
 MN Black - Midnight
 PW Pewter
 SB Statuary Bronze
 VL Village Green
 WH White

Note: Custom colors available upon request.

9. Options: Matrix #: Description:
 BBU Battery Backup
 PCB Photocell Button
 TB Terminal Block
 PCR3* 3 Pin Photo Control Receptacle
 PCR5* 5 Pin Photo Control Receptacle
 PCF7* 7 Pin Photo Control Receptacle
 HSS House Side Shield
 VR Vertical Glass Refractor

1. BBU test button location shall have visibility for testing on site. Consult factory for placement location.

2. ELA Can integrate client specified wifi /remote control components upon request.

* See ELA for mounting options.

ELA Warranty Info Environmental Lighting for Architecture, Inc. (ELA) offers a Five (5) Year Warranty on all products exclusively manufactured by ELA. Furthermore, ELA offers a Five (5) Year Warranty on all LED and LED components; and guarantees that no fewer than 90% of the diodes in each fixture will still be operating during this time. Please contact ELA for the details of each warranty.