



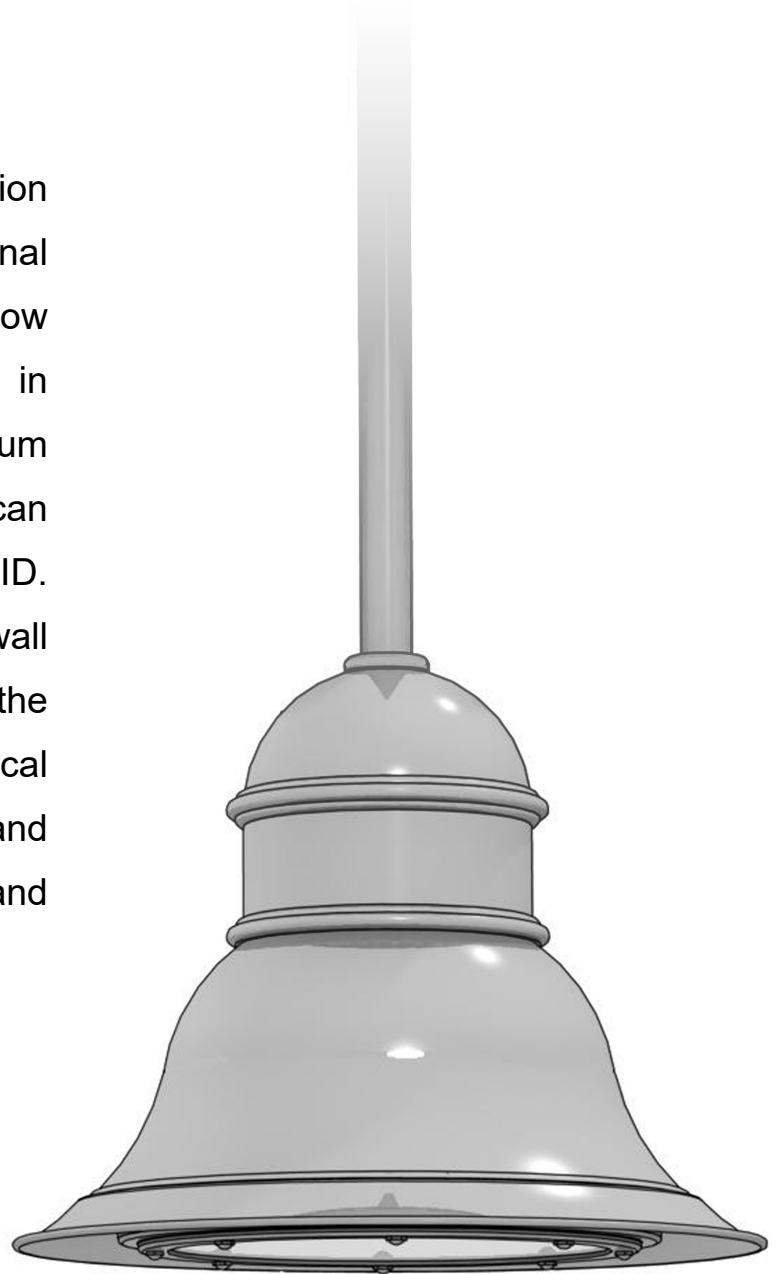
Project Name:
Type:

Environmental Lighting for Architecture, Inc.

Bell - BEL HID Ordering Matrix

Bell

The Bell offers a traditional mission bell look, while being fully operational with today's high performance and low energy lighting standards. Available in two sizes, the Bell produces maximum downlight with full cut-off optics and can be provided with up to 400 watts of HID. Suitable for cross arm, pendant and wall mounted specifications; the Bell is the perfect solution to light streets, historical sites, government buildings, schools and universities, parking lots, site and walkway lighting, and much more.



Fixture is "Buy America Act" Compliant Proudly made in the U.S.A.



Project Name:
Type:

Bell - BEL HID Ordering Matrix

Environmental Lighting for Architecture, Inc.

1	2	3	4	5	6	7	8	9
BEL								

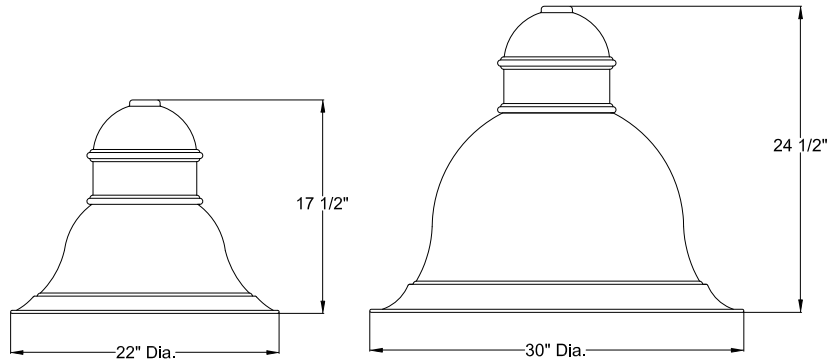
1. Fixture: Matrix #: Description:
Bell **Bell** **Bell Fixture**

2. Size: Matrix #: Weight: EPA:
22 22 lbs. 0.8
30 30 lbs. 1.8

3. Mounting: Matrix #: Description:
CR* Cross arm
BR* Wall Bracket
CP Chain Pendant
SP Stem Pendant

*Specify which Cross arm, Pole, or Wall Bracket is to be used. See ELA website for choices.

4. Optics: Matrix #: Description:
H2 Type 2 - Horizontal
H3 Type 3 - Horizontal
H4 Type 4 - Horizontal
H5 Type 5 - Horizontal
Horizontal
V3 Type 3 - Vertical
V5 Type 5 - Vertical
Vertical



BEL/22
Horizontal Max: 100W
Vertical Max: 150W

BEL/30
Horizontal Max: 250W
Vertical Max: 250W

Elevation Views
2 Fixtures

<p>5. Ballast: <u>Description:</u> Pulse Start Metal Halide (Watts/Type)</p> <p><u>Matrix #:</u> 50PSMH 70PSMH 100PSMH 150PSMH 175PSMH 200PSMH* 250PSMH* 320PSMH* 350PSMH* 400PSMH*</p> <p>1. Electronic ballast available for 50, 70, 100, and 150 watt MH lamps. 2. Other wattages and ballasts available. Consult factory. * Only fits BEL/30.</p>	<p><u>Description:</u> Metal Halide (Watts/Type)</p> <p><u>Matrix #:</u> 50MH 70MH T6 70MH 100MH T6 150MH</p>	<p><u>Description:</u> High Pressure Sodium (Watts/Type)</p> <p><u>Matrix #:</u> 50HPS 70HPS 100HPS 150HPS 200HPS* 250HPS*t</p>	<p><u>Description:</u> Incandescent</p> <p><u>Matrix #:</u> INC*</p> <p>*Note: Incandescent socket supplied will be E26 Medium-Base (suitable for lamping by others), unless otherwise specified.</p>
--	--	--	--

6. Voltage: Matrix #: Description:
120 120VAC
208 208VAC
240 240VAC
277 277VAC
347 347VAC
480 480VAC

7. Lens: Matrix #: Description:
CG* Clear Tempered Glass
FG* Frosted Tempered Glass

*Full Cut-Off Compliant.

9. Options: Matrix #: Description:
BBU Battery Backup
PCB Photocell Button
TB Terminal Block
PCR3* 3 Pin Photo Control Receptacle
PCR5* 5 Pin Photo Control Receptacle
PCF7* 7 Pin Photo Control Receptacle
HSS House Side Shield

1. BBU test button location shall have visibility for testing on site. Consult factory for placement location.
2. ELA Can integrate client specified wifi /remote control components upon request.
* See ELA for mounting options.

8. Finish: Matrix #: Description:
(Standard Powder Coat)
AG Augustine Green
CC Charcoal
DB Dark Bronze
GY Architectural Grey
MG Malaga Green
MN Black - Midnight
PW Pewter
SB Statuary Bronze
VL Village Green
WH White

Note: Custom colors available upon request.

ELA Warranty Info: Environmental Lighting for Architecture, Inc. (ELA) offers a Five (5) Year Warranty on all products exclusively manufactured by ELA. Furthermore, ELA offers a Five (5) Year Warranty on all LED and LED components; and guarantees that no fewer than 90% of the diodes in each fixture will still be operating during this time. Please contact ELA for the details of each warranty.a