



Project Name:
Type:

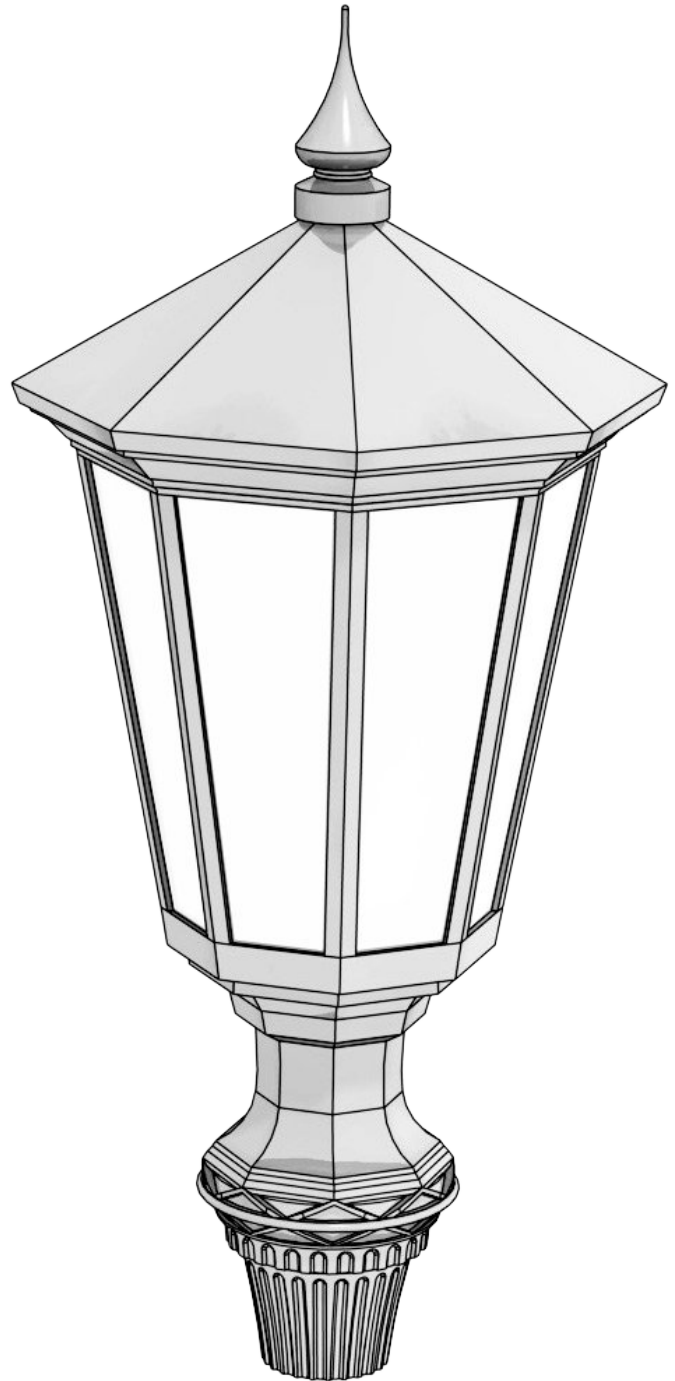
Environmental Lighting for Architecture, Inc.

Atlantis II - ATS

HID Ordering Matrix

Atlantis II

The Atlantis II is a traditional six-sided fixture. Similar to ELA's Atlantis fixture, but with a decorative hub and post fitter, the Atlantis II offers a classic style. The standard Atlantis II fixture is available with a variety of side lenses from which to choose; and can also be specified with no side lenses to increase light output. The Atlantis II, with its classic traditional style and mated with high performance standards, is a perfect specification for shopping malls, decorative street and site lighting, walkway lighting, parking lots, government buildings, schools, libraries, and much more.



Fixture is "Buy America Act" Compliant Proudly Made in the U.S.A.



Project Name:
Type:

Atlantis II - ATS HID Ordering Matrix

Environmental Lighting for Architecture, Inc.

1	2	3	4	5	6	7	8	9
ATS								

1. Fixture: Matrix #: Description:
ATS Atlantis II Fixture

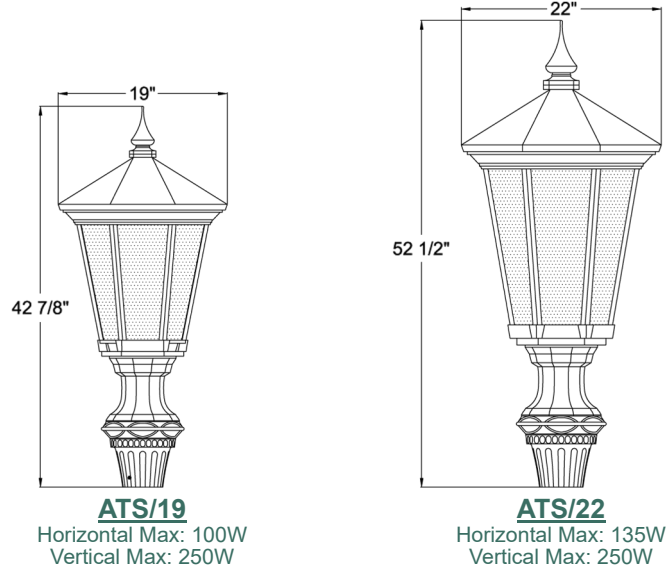
2. Size: Matrix #: Weight: EPA:
19 36 lbs. 0.8
22 50 lbs. 2.3

3. Mounting: Matrix #: Description:
CA* Cross Arm
PT* Post Top
BR* Wall Bracket
PM Pier Mount

*Specify which Cross Arm, Pole, or Wall Bracket is to be used. See ELA website for choices.

4. Distribution: Matrix #: Description:
H2 Type 2 - Horizontal
H3 Type 3 - Horizontal
H4 Type 4 - Horizontal
H5 Type 5 - Horizontal
Horizontal
V3* Type 3 - Vertical
V5 Type 5 - Vertical
Vertical

* Requires Glass Refractor



5. Lamping: Description: Pulse Start Metal Halide (Watts/Type)
Matrix #: **50PSMH**
70PSMH
100PSMH
150PSMH
200PSMH ■
250PSMH ■

1. Electronic ballast available for 50, 70, 100, 150, 200, and 250 watt MH lamps.

2. Other wattages and ballasts available. Consult factory.

■ Fits ED37 lamp vertical only.
♦ Fits vertical only.

Description: Metal Halide (Watts/Type)
Matrix #: **50MH**
70MH
T6 70MH
100MH
T6 150MH

Description: High Pressure Sodium (Watts/Type)
Matrix #: **50HPS**
70HPS
100HPS
150HPS
200HPS ♦
250HPS ♦

Description: Incandescent
Matrix #: **INC***

*Note: Incandescent socket supplied will be E26 Medium-Base (suitable for lamping by others), unless otherwise specified.

6. Voltage: Matrix #: Description:
120 120VAC
208 208VAC
240 240VAC
277 277VAC
347 347VAC
480 480VAC

7. Lens: Matrix #: Description:
CG Clear Glass (Tempered)
CA* Clear Acrylic
CP* Clear Polycarbonate
FG Frosted Glass (Tempered)
FA* Frosted Acrylic
FP* Frosted Polycarbonate
SG Seedy Glass
SA* Seedy Acrylic
HCG** Horizontal Clear Tempered Flat Glass
HFG** Horizontal Frosted Tempered Flat Glass

Note: Consult factory for custom lens.

* 70W Max. Wattage

** Horizontal distribution ONLY

8. Finish: Matrix #: Description:
(Standard Powder Coat)
AG Augustine Green
CC Charcoal
DB Dark Bronze
GY Architectural Grey
MG Malaga Green
MN Black - Midnight
PW Pewter
SB Statuary Bronze
VL Village Green
WH White

Note: Custom colors available upon request.

9. Options: Matrix #: Description:
BBU Battery Backup
PCB Photocell Button
TB Terminal Block
PCR3* 3 Pin Photo Control Receptacle
PCR5* 5 Pin Photo Control Receptacle
PCF7* 7 Pin Photo Control Receptacle
HSS House Side Shield

1. BBU test button location shall have visibility for testing on site. Consult factory for placement location.

2. ELA Can integrate client specified wifi remote control components upon request.

* See ELA for mounting options.

ELA Warranty Info: Environmental Lighting for Architecture, Inc. (ELA) offers a Five (5) Year Warranty on all products exclusively manufactured by ELA. Furthermore, ELA offers a Five (5) Year Warranty on all LED and LED components; and guarantees that no fewer than 90% of the diodes in each fixture will still be operating during this time. Please contact ELA for the details of each warranty.