

Project Name:
Type:

Arcos - ARC

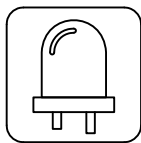
Ordering Matrix

Arcos

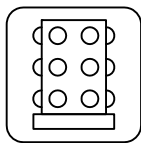
Arcos means arches in Spanish, and that's what ELA has used to design this new classic wall sconce. Available with a selection of lenses, with or without a grill, the Arcos is a great choice for many applications that require an outdoor wall to be washed with light. The options of having a lens or closed top and/or bottom allows the Arcos to be specified with an up-light and/or down-light and/or a simple illumination through the front lens. Available in up to a maximum 75 watts in LED energy while still maintaining excellent light output. The Arcos offers unique contemporary styling, extraordinary durability, and an excellent choice for lighting the wall of any upscale structure.



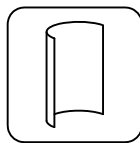
Fixture is "Buy American Act" compliant
Proudly Made in the U.S.A



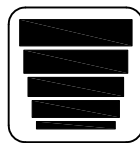
LED Board



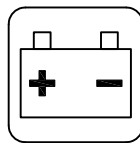
LED Module



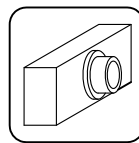
House Side Shield



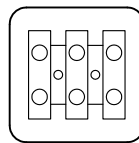
0-10V Dimming



Battery Backup



Button Photocell



Terminal Block



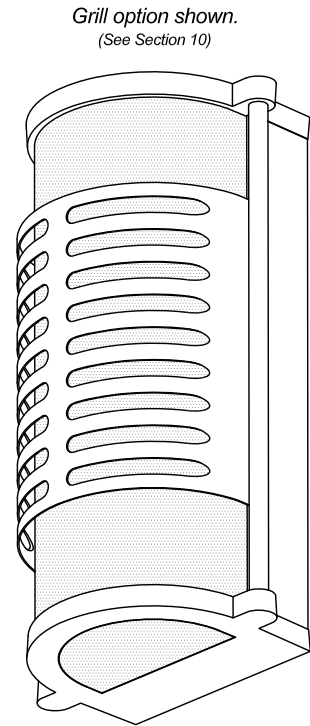
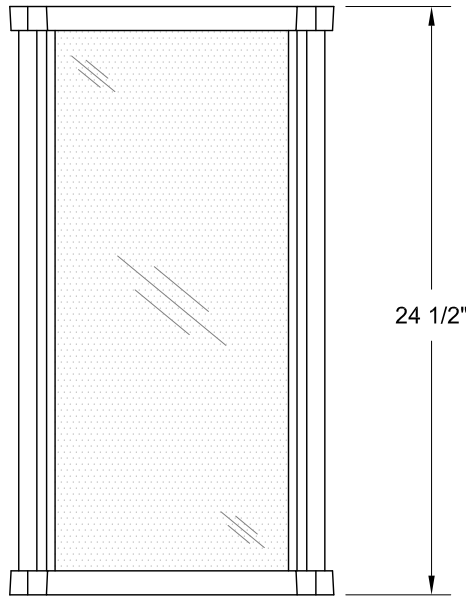
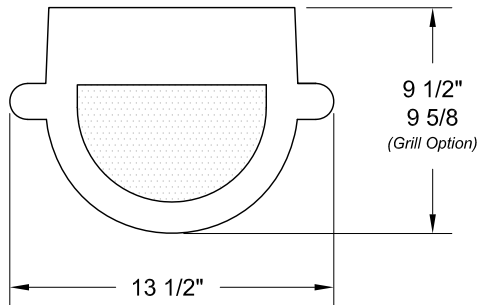
Project Name:
Type:

Arcos - ARC

Ordering Matrix

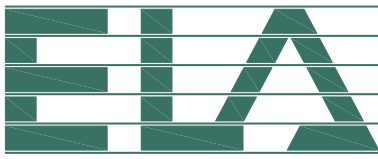
Environmental Lighting for Architecture, Inc.

1	2	3	4	5	6	7	8	9	10
ARC	24	BR							



ARC/24
 LED Board Max: 71W
 LED Corn Cob Max: 60W

1. Fixture: <u>Matrix#:</u> ARC <u>Description:</u> Arcos	3. Mounting: <u>Matrix#:</u> BR <u>Description:</u> Wall Bracket
2. Size: <u>Matrix#:</u> 24 <u>Weight:</u> 30 lbs. <u>EPA:</u> 1.6	4. Distribution: <u>Matrix#:</u> OP <u>Description:</u> Illuminated Front, Top and Bottom Ends. CT Illuminated Front and Bottom End. Closed Top End. CB Illuminated Front and Top End. Closed Bottom End. CE Illuminated Front, Closed Top and Bottom Ends.



Project Name:
Type:

Arcos - ARC

Ordering Matrix

Environmental Lighting for Architecture, Inc.

5. Lamping:	Matrix#:	Description:	Lumens:	Wattage:	Efficacy:	LED Drive (mA):	Standard Dimming Type
	28LED	LED Board	2660	28	96	960	0-10VDC, Triac, Forward Phase
	32LED	LED Board	3040	32	96	1120	0-10VDC, Triac, Forward Phase
	38LED	LED Board	3610	38	96	1340	0-10VDC, Triac, Forward Phase
	41LED	LED Board	3895	41	96	1430	0-10VDC, Triac, Forward Phase
	48LED	LED Board	4560	48	96	1670	0-10VDC, Triac, Forward Phase
	57LED	LED Board	5415	57	96	2000	0-10VDC, Triac, Forward Phase
	71LED	LED Board	6745	71	96	2500	0-10VDC, Triac, Forward Phase
	*25LED	LED Corn Cob	2300	25	105		
	*30LED	LED Corn Cob	2760	30	105		
	*35LED	LED Corn Cob	3220	35	105		
	*40LED	LED Corn Cob	3680	40	105		
	*45LED	LED Corn Cob	4140	45	105		
	**50LED	LED Corn Cob	4600	50	105		
	***60LED	LED Corn Cob	5520	60	105		

* Only available in CE, CT or CB Distribution options (Section 4)

** Only available in OP Distribution option (Section 4). 25W LED Corn Cob (x2) to achieve 50W.

*** Only available in OP Distribution option (Section 4). 30W LED Corn Cob (x2) to achieve 60W.

6. Color Temperature (K):	Matrix#:	Description:
	AM	Amber Color Temperature
	27	2700K Color Temperature
	30	3000K Color Temperature
	40	4000K Color Temperature
	50	5000K Color Temperature

Note: Other color temperatures & RGB available upon request.
Amber not available in Corn Cobs

9. Finish:	Matrix#:	Description:
Standard Powder Coat	AG	Augustine Green
	CC	Charcoal
	DB	Dark Bronze
	GY	Architectural Grey
	MG	Malaga Green
	MN	Midnight - Black
	PW	Pewter
	SB	Statuary Bronze
	VL	Village Green
	WH	White

Note: Custom colors available upon request.

7. Voltage:	Matrix#:	Description:
	120	120VAC
	208	208VAC
	240	240VAC
	277	277VAC
	*347	347VAC
	*480	480VAC

* Contact factory for details

10. Options:	Matrix#:	Description:
	BBU	Battery Backup (LED Board option only)
	PCB	Photocell Button
	TB	Terminal Block
	G	Grill Option

1. Contact factory for BBU test button location.
 2. BBU LED lumen output reduced in BBU mode.
 3. Contact factory for wifi/remote controls.
- * Contact factory for location.

8. Lens:	Matrix#:	Description:
	CA	Clear Acrylic
	FA	Frosted Acrylic
	OA	Opal Acrylic

ELA Warranty Info: ELA reserves the right to change specifications without notice. Please refer to the ELA Terms and Conditions documentation for further detail: www.ela-lighting.com/pdf/Warranty.pdf