



Project Name:
Type:

Environmental Lighting for Architecture, Inc.

Arcos - ARC

HID Ordering Matrix

Arcos

Arcos means Arches in Spanish, and that's what ELA has used to design this new classic wall sconce. Available with a selection of lenses, with or without a grill, the Arcos is a great choice for many applications that require an outdoor wall to be washed with light. The options of having a lens or closed top and/or bottom allows the Arcos to be specified with an up-light and/or down-light and/or a simple illumination through the front lens. Available in up to a maximum 70 watts in HID sources while still maintaining excellent light output. The Arcos offers unique contemporary styling, extraordinary durability, and an excellent choice for lighting the wall of any upscale structure.



Fixture is "Buy America Act" Compliant Proudly Made in the U.S.A.



Project Name:
Type:

Arcos - ARC

HID Ordering Matrix

Environmental Lighting for Architecture, Inc.

1	2	3	4	5	6	7	8	9
ARC								

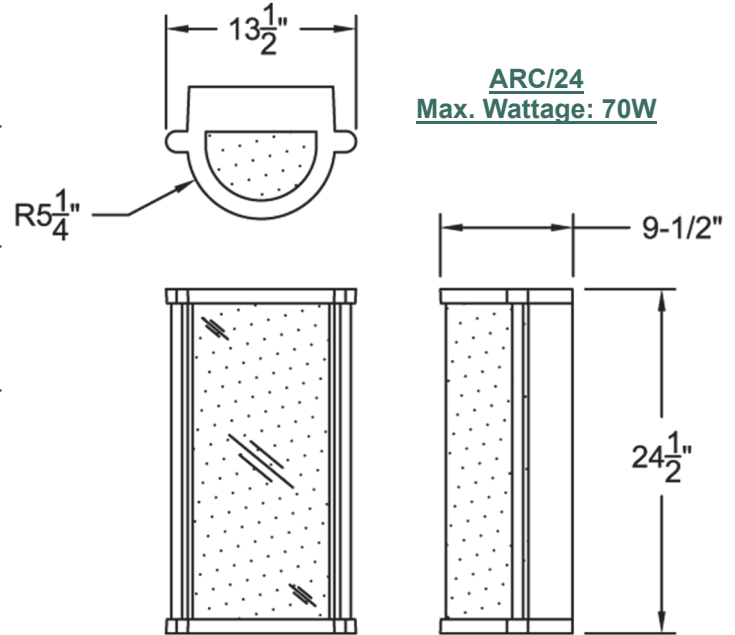
1. Fixture: Matrix #: Description:
ARC **ARC** Arcos Fixture

2. Size: Matrix #: Weight: EPA:
24 30 lbs. 1.6

3. Mounting: Matrix #: Description:
BR Wall Bracket

4. Distribution: Matrix #: Description:
OP Illuminated Front, Top, and Bottom Ends
CT Illuminated Front and Bottom Ends and Closed Top End
CB Illuminated Front and Top Ends Closed Bottom End
CE Illuminated Front Closed Top and Bottom Ends

Note:
 Reflector is a painted white finish. Consult factory for custom options.



ARC/24
Max. Wattage: 70W

5. Lamping:	<u>Description:</u> Pulse Start Metal Halide (Watts/Type)	<u>Description:</u> Metal Halide (Watts/Type)	<u>Description:</u> High Pressure Sodium (Watts/Type)	<u>Description:</u> Incandescent
	<u>Matrix #:</u> 50PSMH 70PSMH	<u>Matrix #:</u> 50MH 70MH T6 70MH	<u>Matrix #:</u> 50HPS 70HPS	<u>Matrix #:</u> INC*
<p>1. Electronic ballast available for 50, 70, 100, and 150 watt MH lamps.</p> <p>2. Other wattages and ballasts available. Consult factory.</p> <p>*Note: Incandescent socket supplied will be E26 Medium-Base (suitable for lamping by others), unless otherwise specified.</p>				

6. Voltage:	<u>Matrix #:</u>	<u>Description:</u>	7. Lens:	<u>Matrix #:</u>	<u>Description:</u>
	120 208 240 277 347 480	120VAC 208VAC 240VAC 277VAC 347VAC 480VAC		CA FA OP	Clear Acrylic Frosted Acrylic Opal Acrylic

Note: Consult factory for custom lens.

8. Finish: (Standard Powder Coat)	<u>Matrix #:</u>	<u>Description:</u>	9. Options:	<u>Matrix #:</u>	<u>Description:</u>
	AG CC DB GY MG MN PW SB VL WH	Augustine Green Charcoal Dark Bronze Architectural Grey Malaga Green Black - Midnight Pewter Statuary Bronze Village Green White		BBU PCB TB PCR3* PCR5* PCF7* HSS GR TSS	Battery Backup Photocell Button Terminal Block 3 Pin Photo Control Receptacle 5 Pin Photo Control Receptacle 7 Pin Photo Control Receptacle House Side Shield Grill Top Side Shield

Note: Custom colors available upon request.

* See ELA for mounting options.