

| |
|---------------|
| Project Name: |
| Type: |

Americana - AME

Ordering Matrix

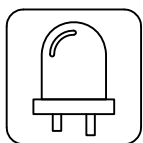
Environmental Lighting for Architecture, Inc.

Americana

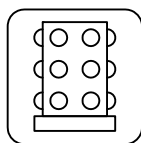
The Americana is an art deco inspired cast aluminum, six-sided fixture, featuring a hinged hood mechanism for fast and tool-free maintenance. This, combined with timeless design features, allows the Americana to meet some of today's highly sought after performance needs while paying homage to the past. Available in 2 sizes, both which can accommodate either horizontal LED board or LED Corn Cob style modules, the Americana is suitable for pole, pendant, cross arm and wall mounted areas.



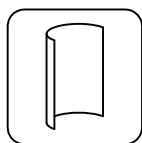
Fixture is "Buy American Act" compliant
Proudly Made in the U.S.A



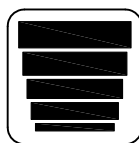
LED Board



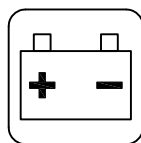
LED Module



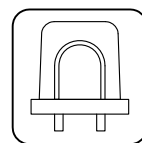
House Side Shield



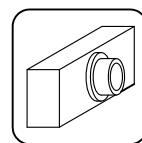
0-10V Dimming



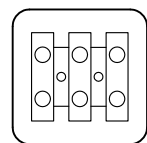
Battery Backup



Twist Lock Photocell



Button Photocell



Terminal Block



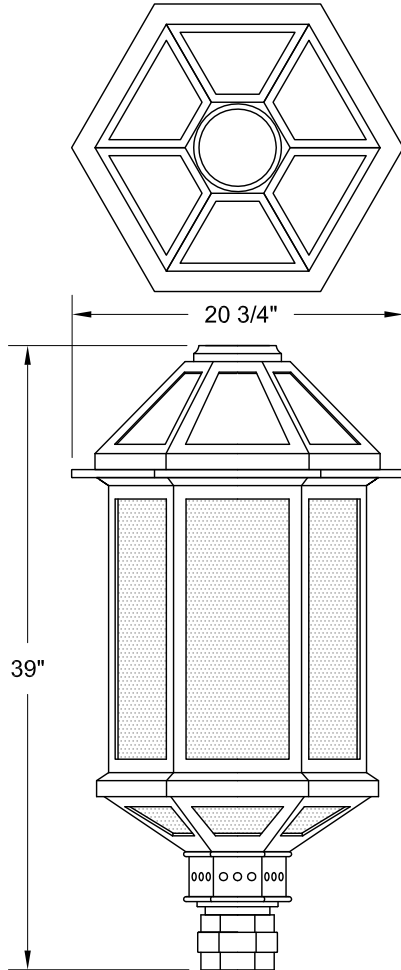
| |
|---------------|
| Project Name: |
| Type: |

Americana - AME

Ordering Matrix

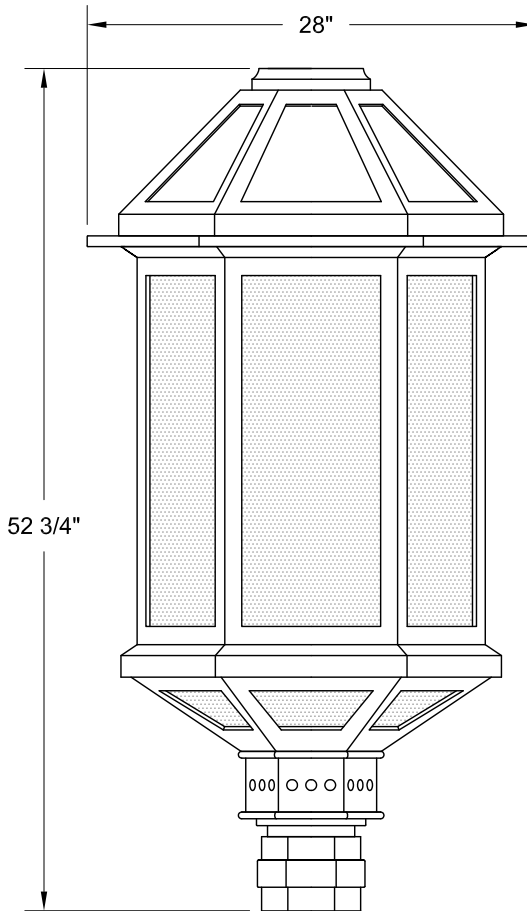
Environmental Lighting for Architecture, Inc.

| | | | | | | | | | |
|-----|---|---|---|---|---|---|---|---|----|
| 1 | 2 | 3 | 4 | 5 | 6 | 7 | 8 | 9 | 10 |
| AME | | | | | | | | | |



AME/20

Horizontal Max: 98W
Vertical Max: 120W



AME/28

Horizontal Max: 170W
Vertical Max: 120W

1. Fixture: Matrix#: AME Description: Americana

3. Mounting: Matrix#: *CA Description: Cross Arm
 PT3 Post Top - 3" Diameter
 PT4 Post Top - 4" Diameter
 *BR Wall Bracket
 **CP Chain Pendant
 **SP Stem Pendant

* Specify Cross Arm or Wall Bracket is to be used. For all other options please contact factory.

** 3 foot length is standard. Contact factory for other options.

2. Size: Matrix#: 20 Weight: 52 lbs. EPA: 2.1
 28 70 lbs. 4.0

4. Distribution: Matrix#: H2 Description: Type 2 - Horizontal
 H3 Type 3 - Horizontal
 H4 Type 4 - Horizontal
 H5 Type 5 - Horizontal
 Horizontal V3 Type 3 - Vertical
 Vertical (Corn Cob) V5 Type 5 - Vertical



| |
|---------------|
| Project Name: |
| Type: |

Americana - AME

Ordering Matrix

Environmental Lighting for Architecture, Inc.

| 5. Lamping: | Matrix#: | Description: | Lumens: | Wattage: | Efficacy: | LED Drive (mA): | Standard Dimming Type |
|------------------------|----------|--------------|---------|----------|-----------|-----------------|-------------------------------|
| | 36LED | LED Board | 3456 | 36 | 101 | 1670 | 0-10VDC, Triac, Forward Phase |
| | 43LED | LED Board | 4128 | 43 | 101 | 2000 | 0-10VDC, Triac, Forward Phase |
| | 52LED | LED Board | 4992 | 52 | 101 | 1200 | 0-10VDC, Triac, Forward Phase |
| | 64LED | LED Board | 6144 | 64 | 101 | 1500 | 0-10VDC, Triac, Forward Phase |
| | 72LED | LED Board | 6912 | 72 | 101 | 1680 | 0-10VDC, Triac, Forward Phase |
| | 82LED | LED Board | 7872 | 82 | 101 | 1920 | 0-10VDC, Triac, Forward Phase |
| | 90LED | LED Board | 8640 | 90 | 101 | 2100 | 0-10VDC, Triac, Forward Phase |
| | 98LED | LED Board | 9408 | 98 | 101 | 2240 | 0-10VDC, Triac, Forward Phase |
| | *106LED | LED Board | 10176 | 106 | 101 | 2500 | 0-10VDC, Triac, Forward Phase |
| | *110LED | LED Board | 10560 | 110 | 101 | 2600 | 0-10VDC, Triac, Forward Phase |
| | *116LED | LED Board | 11136 | 116 | 101 | 5400 | 0-10VDC, Triac, Forward Phase |
| | *128LED | LED Board | 12288 | 128 | 101 | 6000 | 0-10VDC, Triac, Forward Phase |
| | *144LED | LED Board | 13824 | 144 | 101 | 6800 | 0-10VDC, Triac, Forward Phase |
| | *160LED | LED Board | 15360 | 160 | 101 | 7500 | 0-10VDC, Triac, Forward Phase |
| | *170LED | LED Board | 16320 | 170 | 101 | 8000 | 0-10VDC, Triac, Forward Phase |
| Horizontal | | | | | | | |
| Vertical (Corn Cob) | 25LED | LED Corn Cob | 2625 | 25 | 105 | | |
| | 30LED | LED Corn Cob | 3150 | 30 | 105 | | |
| | 35LED | LED Corn Cob | 3675 | 35 | 105 | | |
| | 40LED | LED Corn Cob | 4200 | 40 | 105 | | |
| | 45LED | LED Corn Cob | 4750 | 45 | 105 | | |
| | 50LED | LED Corn Cob | 5250 | 50 | 105 | | |
| | 60LED | LED Corn Cob | 6300 | 60 | 105 | | |
| | 80LED | LED Corn Cob | 8400 | 80 | 105 | | |
| | 100LED | LED Corn Cob | 10500 | 100 | 105 | | |
| * Size 28 only | 120LED | LED Corn Cob | 12600 | 120 | 105 | | |

| 6. Color Temperature (K): | Matrix#: | Description: |
|---------------------------|----------|-------------------------|
| | AM | Amber Color Temperature |
| | 27 | 2700K Color Temperature |
| | 30 | 3000K Color Temperature |
| | 40 | 4000K Color Temperature |
| | 50 | 5000K Color Temperature |

Note: Other color temperatures & RGB available upon request.
Amber not available in Corn Cobs

| 7. Voltage: | Matrix#: | Description: |
|-------------------------------|----------|--------------|
| | 120 | 120VAC |
| | 208 | 208VAC |
| | 240 | 240VAC |
| | 277 | 277VAC |
| * Contact factory for details | *347 | 347VAC |
| | *480 | 480VAC |

| 8. Lens: | Matrix#: | Description: |
|----------|----------|--------------------------|
| | CG | Clear Glass |
| | FG | Frosted Glass |
| | CSG | Clear Seedy Glass |
| | CA | Clear Acrylic |
| | FA | Frosted Acrylic |
| | *HCG | Horizontal Clear Glass |
| | *HFG | Horizontal Frosted Glass |

* Tempered glass. Horizontal LED option only.

| 9. Finish: | Matrix#: | Description: |
|----------------------|----------|--------------------|
| Standard Powder Coat | AG | Augustine Green |
| | CC | Charcoal |
| | DB | Dark Bronze |
| | GY | Architectural Grey |
| | MG | Malaga Green |
| | MN | Midnight - Black |
| | PW | Pewter |
| | SB | Statuary Bronze |
| | VL | Village Green |
| | WH | White |

Note: Custom colors available upon request.

| 10. Options: | Matrix#: | Description: |
|--------------|----------|-----------------------------------------------|
| | BBU | Battery Backup (<i>Horizontal LED only</i>) |
| | PCB | Photocell Button |
| | TB | Terminal Block |
| | *PCR3 | 3 Pin Photo Control Receptacle |
| | *PCR5 | 5 Pin Photo Control Receptacle |
| | *PCR7 | 7 Pin Photo Control Receptacle |
| | HSS | House Side Shield |
| | FF1 | Fixture Finial option 1 |
| | FF2 | Fixture Finial option 2 |

- Contact factory for BBU test button location.
- BBU LED lumen output reduced in BBU mode.
- Contact factory for wifi/remote controls.

* Contact factory for location.

ELA Warranty Info: ELA reserves the right to change specifications without notice. Please refer to the ELA Terms and Conditions documentation for further detail: www.ela-lighting.com/pdf/Warranty.pdf