



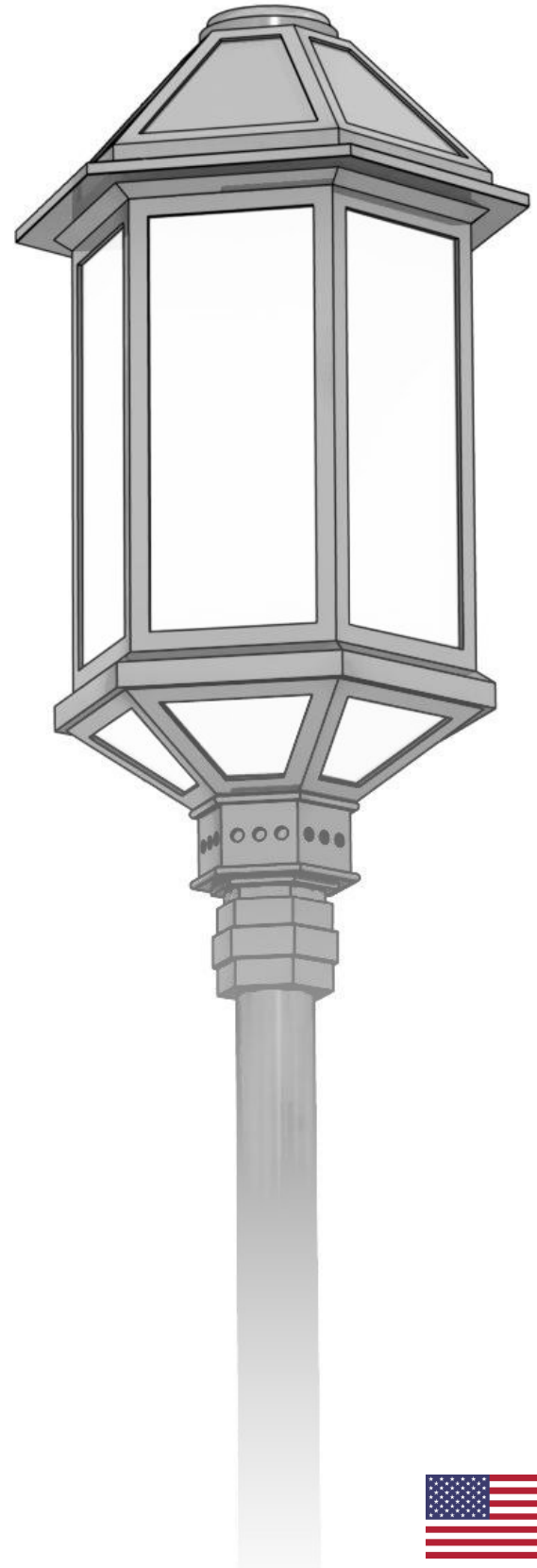
Project Name:
Type:

Environmental Lighting for Architecture, Inc.

Americana - AME HID Ordering Matrix

Americana

The Americana is a six-sided lantern with a “Transitional” style, mixing traditional characteristics with a few contemporary details. Suitable for pole, cross arm, or wall mounting conditions, the Americana is often specified for shopping malls, parking lots, government buildings, site and walkway lighting, schools, libraries, or high-end residential applications. Constructed of high grade A356 cast aluminum with a powder coat finish, the Americana is built for the toughest of outdoor conditions. The Americana can also meet the performance standards of today’s lighting demands. It’s available with an array of refractors or reflectors for all light distributions. Available with a maximum 250 watts of HID power. Style, durability, and performance – the Americana has it all!



Fixture is "Buy America Act" Compliant Proudly Made in the U.S.A.



Project Name: _____
 Type: _____

Americana - AME HID Ordering Matrix

Environmental Lighting for Architecture, Inc.

1 / 2 / 3 / 4 / 5 / 6 / 7 / 8 / 9 / 10
AME / [] / [] / [] / [] / [] / [] / [] / [] / []

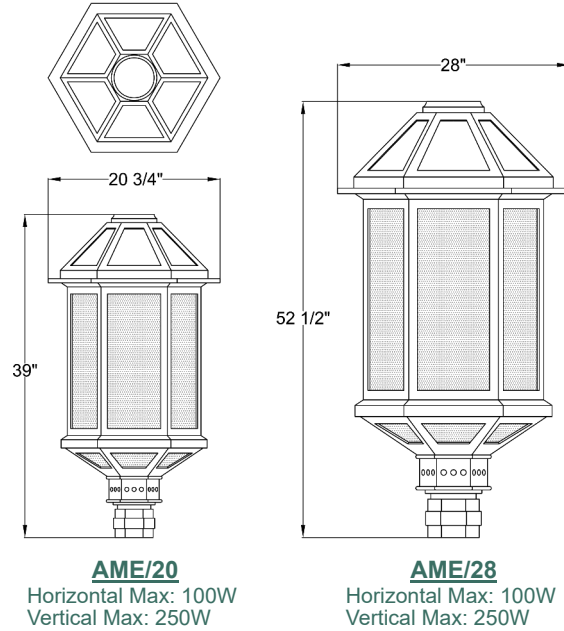
1. Fixture: Matrix #: **AME** Description: Americana Fixture

2. Size: Matrix #: **20** Weight: 52 lbs. EPA: 2.1
28 70 lbs. 4.0

3. Mounting: Matrix #: **CA*** Description: Cross Arm
PT* Post Top
WB* Wall Bracket
PM* Pier Mount

*Specify which Cross Arm, Pole, or Wall Bracket is to be used. See ELA website for choices.

4. Distribution: Matrix #: Description:
H2 Type 2 - Horizontal
H3 Type 3 - Horizontal
H4 Type 4 - Horizontal
H5 Type 5 - Horizontal
 Horizontal
V3* Type 3 - Vertical
V5 Type 5 - Vertical
 Vertical
 * Requires Glass Refractor



5. Lamping: Description: Pulse Start Metal Halide (Watts/Type)
Matrix #: **50PSMH**
70PSMH
100PSMH
150PSMH*
175PSMH*
200PSMH*
250PSMH*
 1. Electronic ballast available for 50, 70, 100, and 150 watt MH lamps.
 2. Other wattages and ballasts available. Consult factory.
 * Fits vertical only.

Description: Metal Halide (Watts/Type)
Matrix #: **50MH**
70MH
T6 70MH
100MH
T6 150MH
250MH*

Description: High Pressure Sodium (Watts/Type)
Matrix #: **50HPS**
70HPS
100HPS
150HPS*
200HPS*
250HPS*

Description: Incandescent
Matrix #: **INC***
 *Note: Incandescent socket supplied will be E26 Medium-Base (suitable for lamping by others), unless otherwise specified.

6. Voltage: Matrix #: Description:
120 120VAC
208 208VAC
240 240VAC
277 277VAC
347 347VAC
480 480VAC

7. Lens: Matrix #: Description:
CG Clear Glass
FG Frosted Glass
CA** Clear Acrylic
FA** Frosted Acrylic
OA** Opal Acrylic
HCG* Horizontal Clear Tempered Glass
HFG* Horizontal Frosted Tempered Glass
 1. All glass is tempered flat glass.
 * Horizontal Distribution ONLY
 ** Only available up to 70W Max

8. Finish: (Standard Powder Coat)
Matrix #: Description:
AG Augustine Green
CC Charcoal
DB Dark Bronze
GY Architectural Grey
MG Malaga Green
MN Black - Midnight
PW Pewter
SB Statuary Bronze
VL Village Green
WH White
 Note: Custom colors available upon request.

9. Options: Matrix #: Description:
BBU Battery Backup
PCB Photocell Button
TB Terminal Block
PCR3* 3 Pin Photo Control Receptacle
PCR5* 5 Pin Photo Control Receptacle
PCF7* 7 Pin Photo Control Receptacle
HSS House Side Shield
 1. BBU test button location shall have visibility for testing on site. Consult factory for placement location.
 2. ELA Can integrate client specified wifi remote control components upon request.
 * See ELA for mounting options.

ELA Warranty Info: Environmental Lighting for Architecture, Inc. (ELA) offers a Five (5) Year Warranty on all products exclusively manufactured by ELA. Furthermore, ELA offers a Five (5) Year Warranty on all LED and LED components; and guarantees that no fewer than 90% of the diodes in each fixture will still be operating during this time. Please contact ELA for the details of each warranty.