



ELA LIGHTING COMPANY, INC.
 17891 Arenth Avenue
 City of Industry, CA 91748
 Web: www.ela-lighting.com
 E-mail: info@ela-lighting.com

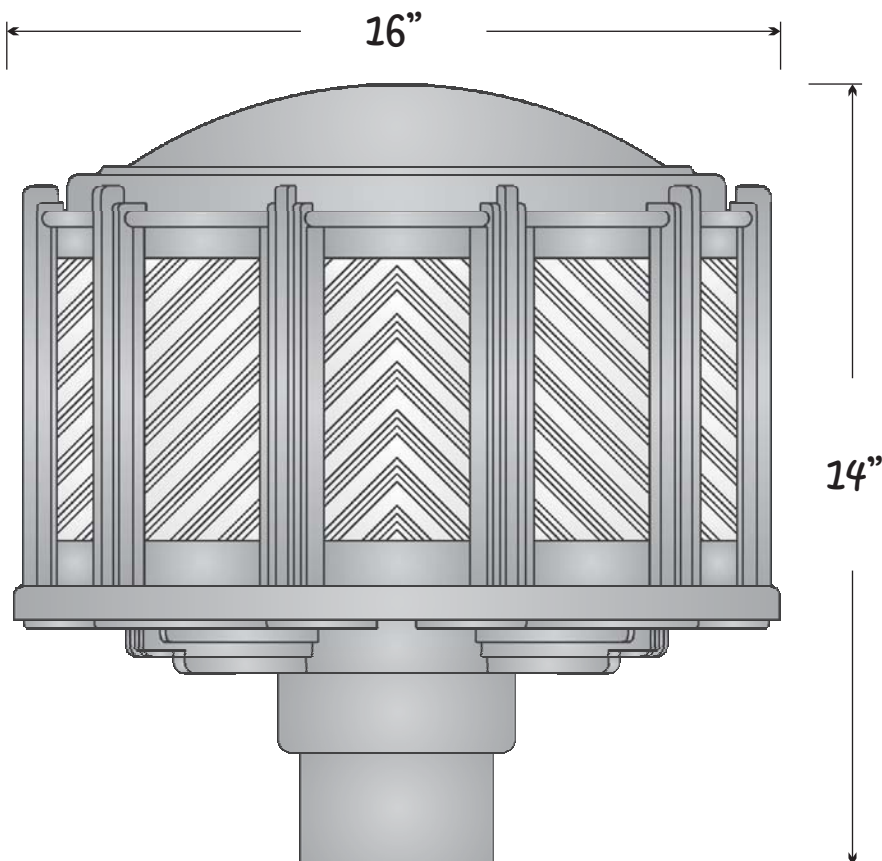
Project _____
 Type _____

L3414
Post Mounted Luminaire with Acrylic Lens

L3414
Luminaire

EPA - 1.3
 WT. - 35 LBS.

WATTAGE:
 HID - 50, 70, 75, 100, 150 and 175
 Fluorescent - 13-42



POSTLINE BALLAST:
 MH (Metal Halide)
 HPS (High Pressure Sodium)
 PL (Compact Fluorescent)
 PLS (Pulse Start)
 INC (Incandescent)
 OTHER (Please Specify)

VOLTAGE:
 120, 208, 240 and 277 (Multi-Tap)

SOCKET:
 MB - (Medium Base Porcelain)
 MG - (Mogul Base Porcelain)

OPTICS:
 N/A

DIFFUSER:
 CAC - (Clear Acrylic Globe)
 WAC - (White Acrylic Globe)
 OTHER (Please Specify)

POWDER COAT FINISHES:
 MN (Midnight), DB (Dark Bronze),
 WH (White), VL (Village Green),
 NR (Natural Russet), GY (Gray),
 DG (Dark Green), or
 CUSTOM (Specify)

PHOTOMETRICS & LAYOUTS
 AVAILABLE UPON REQUEST.

FIXTURE	WATTAGE	BALLAST	VOLTAGE	OPTICS	DIFFUSER	COLOR	OPTIONS
L3414							

OPTIONS:
 SEE END OF CATALOG

SPECIFICATIONS:

ELA LIGHTING
 ☺ An American Tradition Since 1929.
 ☺ Custom Capabilities Second To None.
 ☺ Other Materials Such As Copper, Brass, Stainless Steel And Iron Are Also Available.

The **L3414** luminaire is a Transitional style cast (#319 grade) aluminum fixture. Corrosion resistant.

TESTING:
 This product and all its components shall be U.L. Listed.

ELECTRICAL:
 Sockets are Med. or Candelabra Base 4KV Rated.

OPTICS:
 N/A

DARK SKIES (available):
 N/A

WARRANTY:
 3-Year Manufacturer's warranty.

Call Toll Free: 1-800-423-6561
Fax: 1-626-965-9494



ELA LIGHTING COMPANY, INC.

17891 Arenth Avenue

City of Industry, CA 91748

Web: www.ela-lighting.com E-mail: info@ela-lighting.com

Phone: 800/423-6561 Fax: 626/965-9494

Photometry Testing Done By an Independent Testing Laboratory.

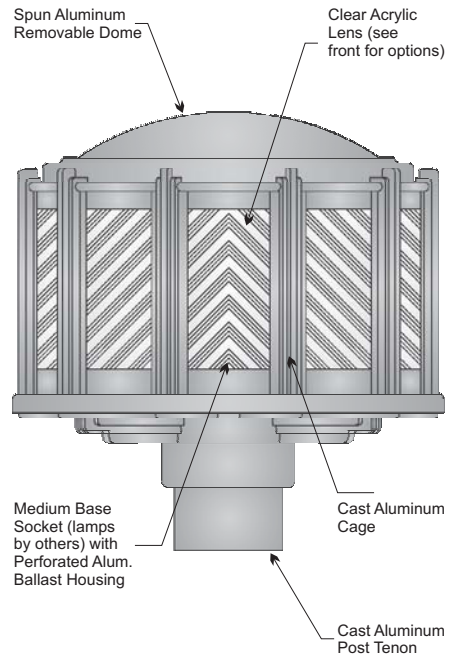
**L3414
Luminaire**

CONVERSION FACTORS

MOUNTING HEIGHTS

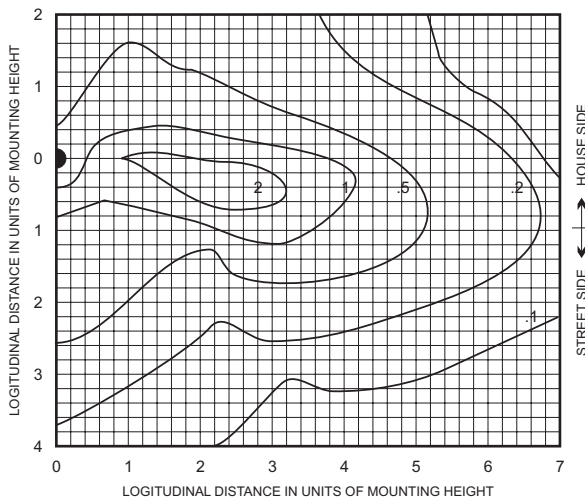
LAMP TYPE	LUMENS	9'	10'	12'	14'	16'	18'	20'	22'	25'
35 CLR HPS	2250	.23	.20	.14	.10	.08	.06			
70 CLR HPS	5800	.60	.52	.36	.27	.20	.16			
100 CLR HPS	9500	1.00	.86	.59	.44	.33	.26			
150 CLR HPS	16000	1.50	1.40	1.00	.74	.56	.44	.32	.20	.08
50 CLR MH	3800	.37	.33	.24	.18	.13	.11			
70 CLR MH	5500	.54	.48	.34	.25	.19	.15			
100 CLR MH	8500	.87	.76	.53	.39	.30	.23			
175 CLR MH	16600	1.75	1.50	1.00	.77	.58	.46	.34	.22	.10
250 CLR MH	20500					.75	.57	.39	.21	
400 CLR MH	36000					1.20	.92	.64	.36	.08
100 DX MV	4200	.42	.37	.26	.19	.15	.12			
150 DX MV	8600	.85	.75	.54	.40	.30	.24			

SPECIFICATIONS



ISOLUX CHARTS

Type II Cut-off
150w CLR HPS, 16000 Lumens
12' Height



Type V Cut-off
150w CLR HPS, 16000 Lumens
12' Height

