

Project Name:
Type:

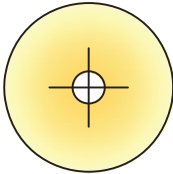
# RSEL (RESIDENTIAL) Ordering Matrix

Environmental Lighting for Architecture, Inc.

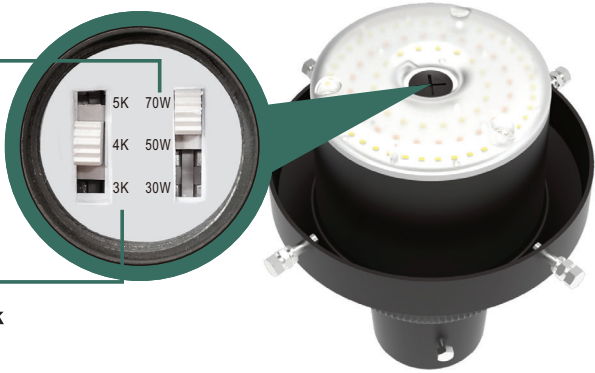
1	2	3	4	5	6	7	8	9
RSEL	A9	PT3	H5	70SLED	3-5	BN		



<b>1. Fixture</b>		
<u>Matrix #:</u>	<u>Description:</u>	
RSEL	SELECTABLE LED	
<b>2. Globe</b>		
<u>Matrix #:</u>	<u>Description:</u>	
A9	Prismatic acrylic globe	
<b>3. Mounting</b>		
<u>Matrix #:</u>	<u>Description:</u>	
PT3	Fitter for a 3" Pole	
<b>4. Distribution</b>		
<u>Matrix #:</u>	<u>Description:</u>	
H5	Type 5	



<b>5. Led System:</b>	<u>Matrix #:</u>	<u>Description:</u>	<u>Wattage:</u>
	70SLED	3 WATTAGE SELECTABLE.	70 / 50 / 30
<b>6. Color Temperature</b>	<u>Matrix #:</u>	<u>Description:</u>	<u>Color temperature:</u>
	3-5	3 COLOR TEMPERATURE SELECTABLE	3000k / 4000k / 5000k



<b>7. Finish</b>	<b>8. Top Option</b>	<b>9. Options</b>
<u>Matrix #:</u>	<u>Matrix #:</u>	<u>Matrix #:</u>
BN	ST	PC
<u>Description:</u>	<u>Description:</u>	<u>Description:</u>
Bronze	Spun Top	Photocell





Environmental Lighting for Architecture, Inc.

Project Name:
Type:

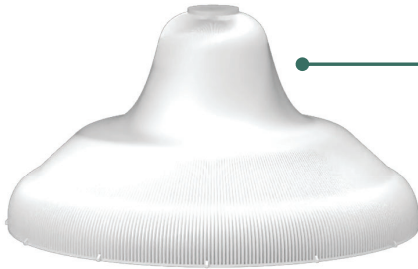
# RSEL (RESIDENTIAL) Ordering Matrix

RSEL/A9/PT3/H5/70SLED/3-5/BN/PC

RSEL/A9/PT3/H5/70SLED/3-5/BN/ST/PC



Cast Finial



Uv Acrylic Primstic Top

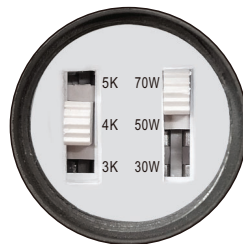
Spun Aluminum Top



Ring



Globe



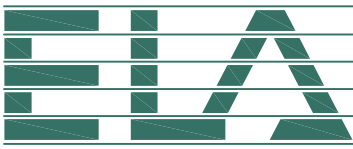
Side access to the FAO controller allows the end-user to easily choose from different wattages and CCTs



Optional Photocontrol



Corrosion resistant heavy duty-cast aluminium construction



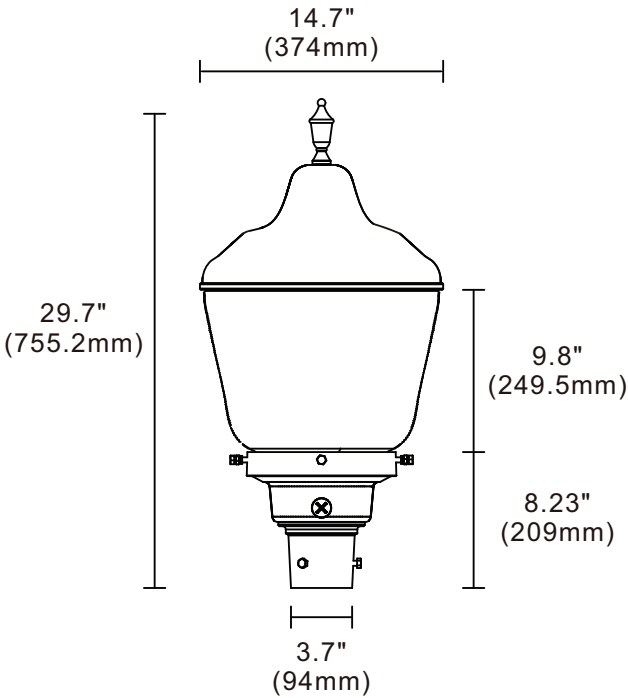
Project Name:
Type:

# RSEL (RESIDENTIAL) Ordering Matrix

Environmental Lighting for Architecture, Inc.

## DIMENSION

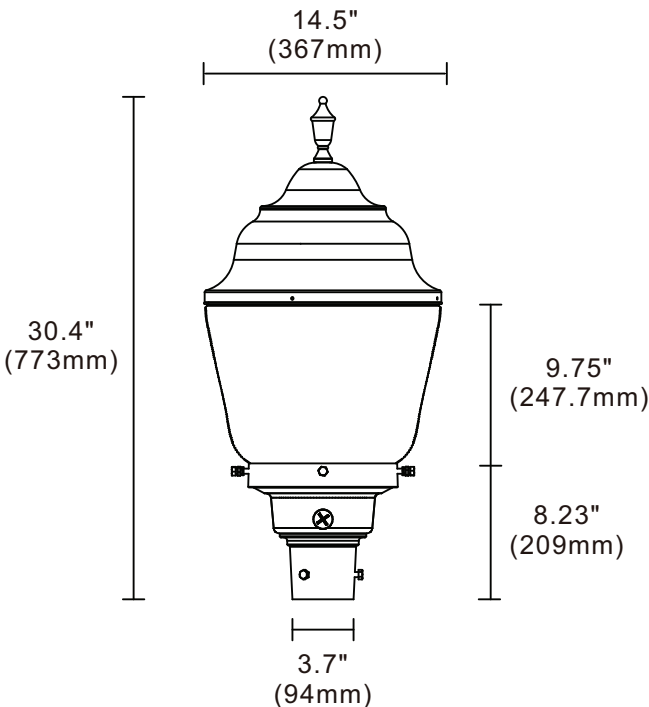
### RSEL/A9/PT3/H5/70SLED/3-5/BN/PC



## PERFORMANCE DATA

Nominal Wattage	70 / 50 / 30W
Lumens*	9991 lm*
Efficacy*	142.93 lm/W*
*Lumen Output and Efficacy are based on the highest wattage at 4000K	

### RSEL/A9/PT3/H5/70SLED/3-5/BN/ST/PC

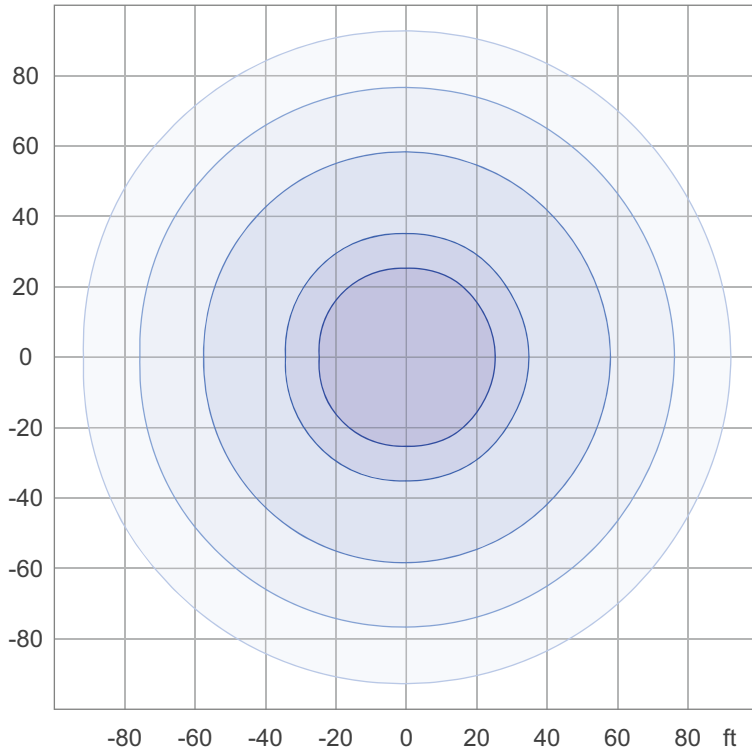


## PERFORMANCE DATA

Nominal Wattage	70 / 50 / 30W
Lumens*	6840 lm*
Efficacy*	98.7 lm/W*
*Lumen Output and Efficacy are based on the highest wattage at 4000K	

# IES ROAD REPORT

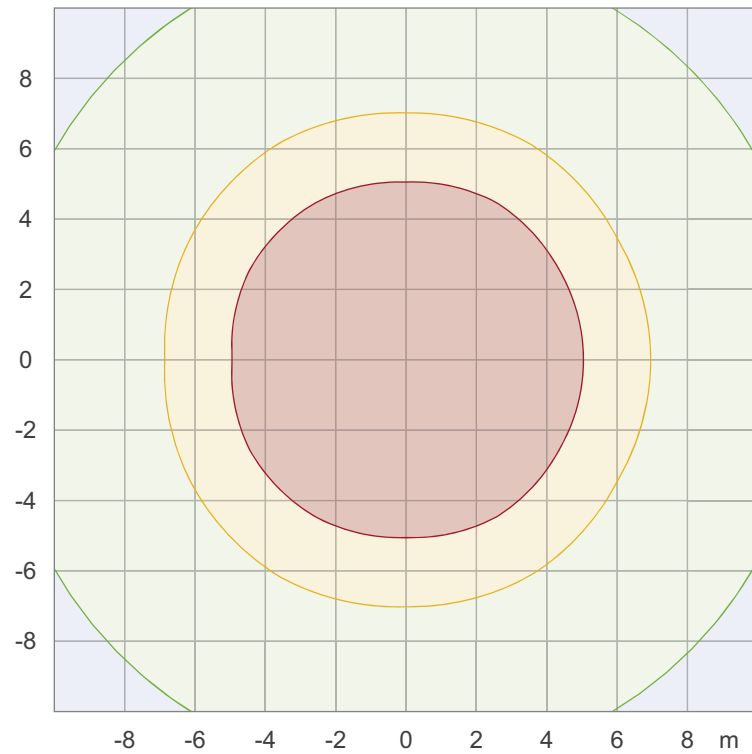
## ISOFOOTCANDLE LINES OF HORIZONTAL ILLUMINANCE



50.0 %	0.126 fc
30.0 %	0.076 fc
10.0 %	0.025 fc
5.0 %	0.013 fc
3.0 %	0.008 fc

Peak illuminance: 0.252 fc  
Mounting height: 20 ft  
Number of c-planes: 72

## ISOLUX LINES OF HORIZONTAL ILLUMINANCE

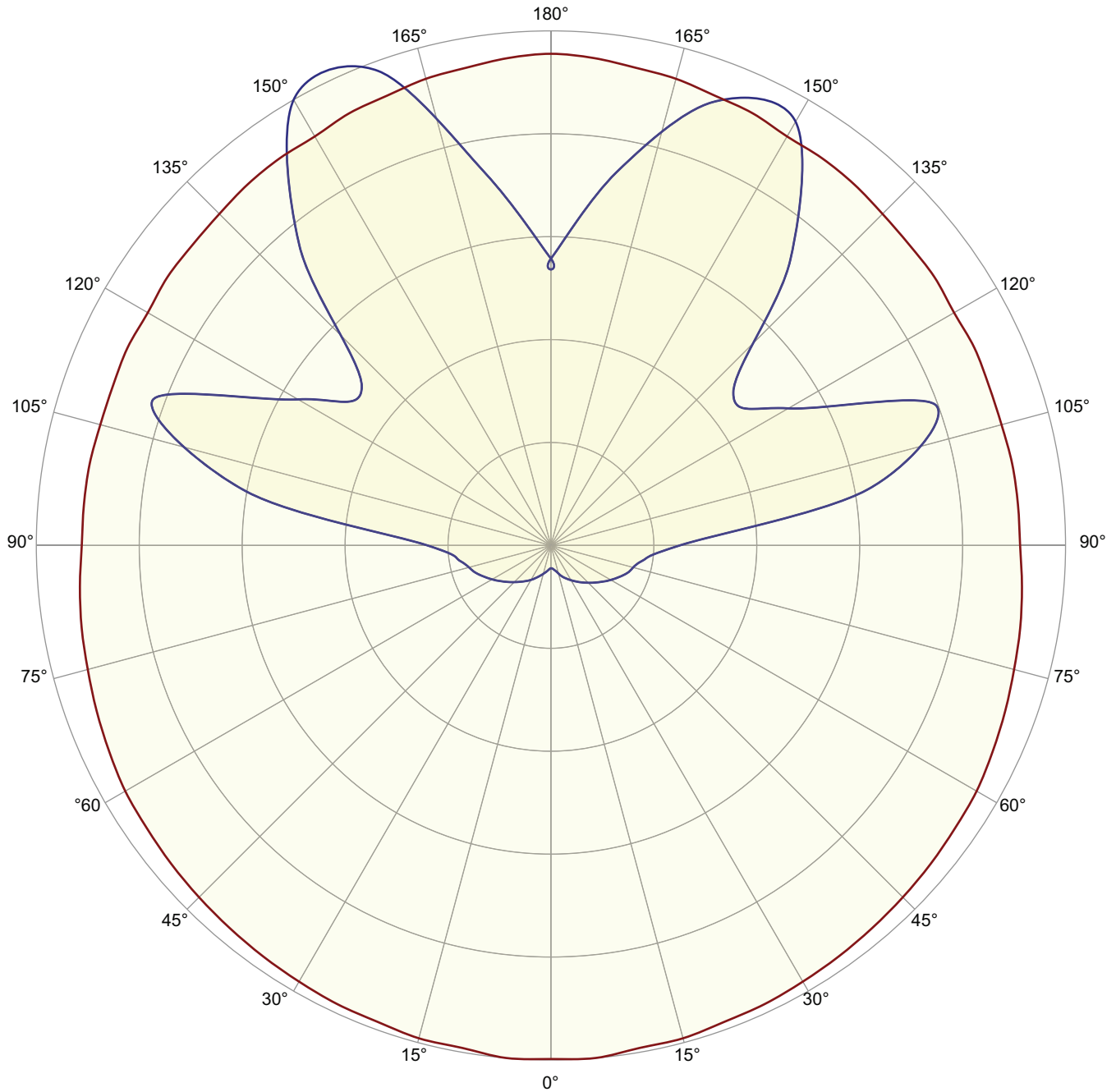


50.0 %	3.15 lx
30.0 %	1.89 lx
10.0 %	0.63 lx
5.0 %	0.315 lx
3.0 %	0.189 lx

Peak illuminance: 6.3 lx  
Mounting height: 4 m  
Number of c-planes: 72

# IES ROAD REPORT

## POLAR GRAPH - PEAK VALUES



Maximum intensity = 1815 cd. Located at horizontal, vertical angles 275H 150V

- Peak plane: C85 - C265 (through max. intensity candela)
- Horizontal cone through vertical angle 150V