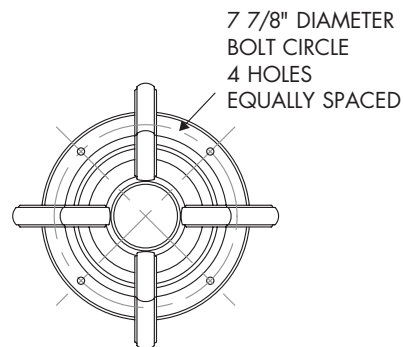
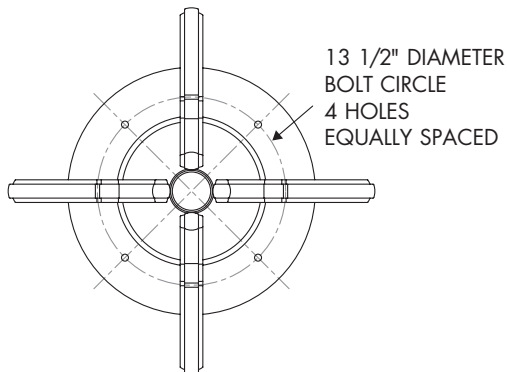
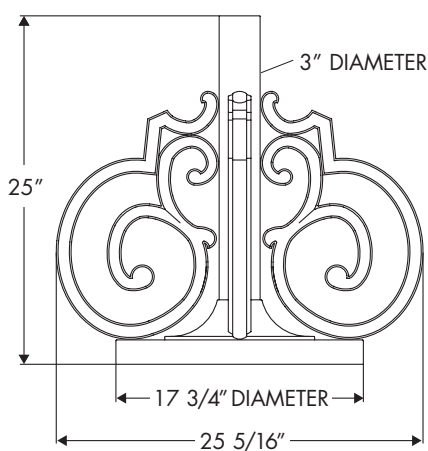
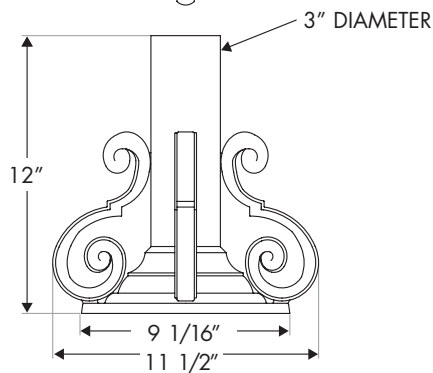
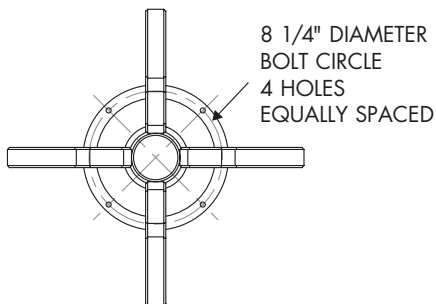
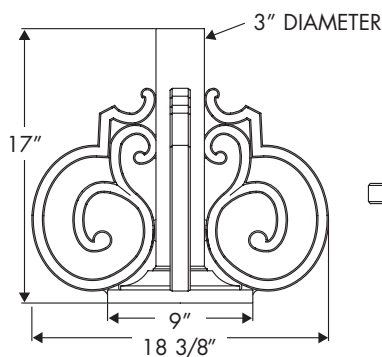


Note: Specifications are subject to change without notice. Always consult factory.

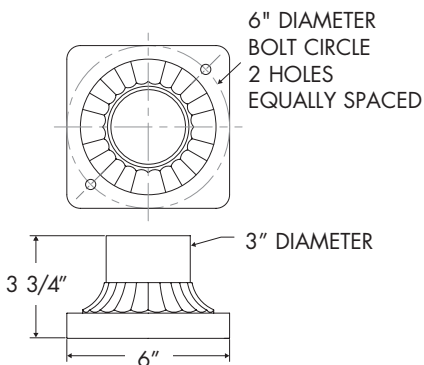


PM-611

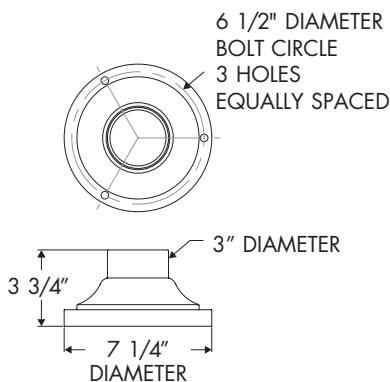


PM-601

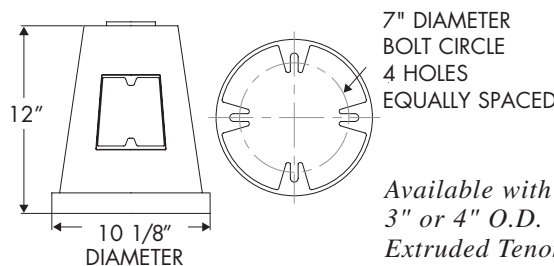
PM-607



PM-600



PM-609



PM-620

Available with
3" or 4" O.D.
Extruded Tenon
(Please Specify
Size)

*Extruded Tenons and Cast Aluminum Construction
Pier Mounts provided with 3" O.D. Extruded Tenon*



Environmental Lighting for Architecture, Inc.
17891 Arenth Avenue, City of Industry, CA 91748-1197
626.965.0821 • 800.423.6561 • fax 626.965.9494
www.ela-lighting.com