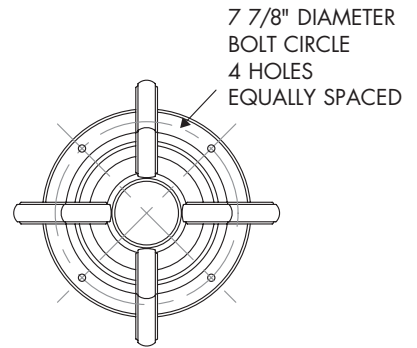
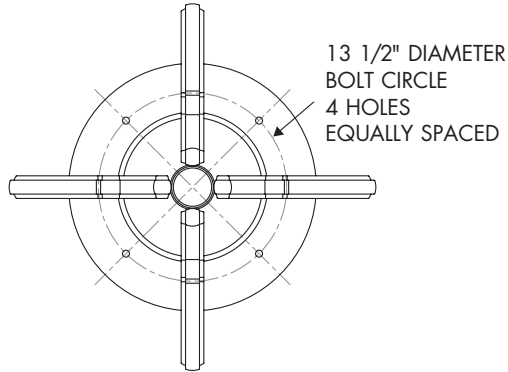
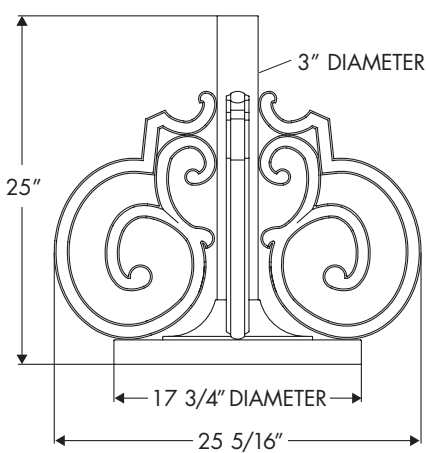
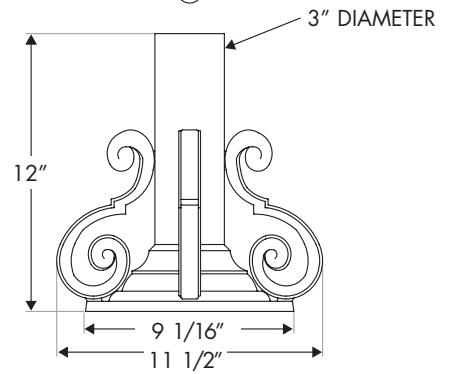
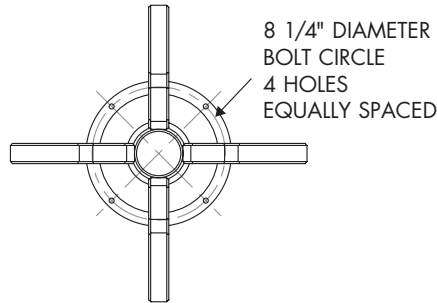
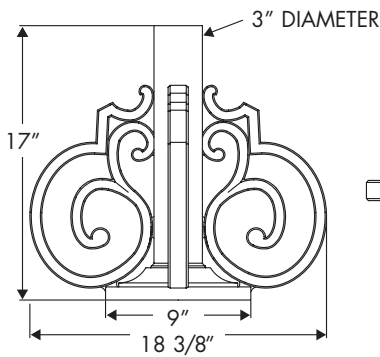


Note: Specifications are subject to change without notice. Always consult factory.

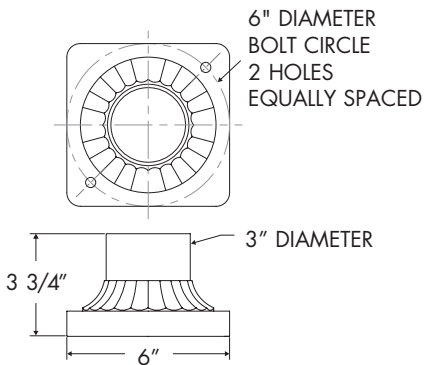


**PM-611**

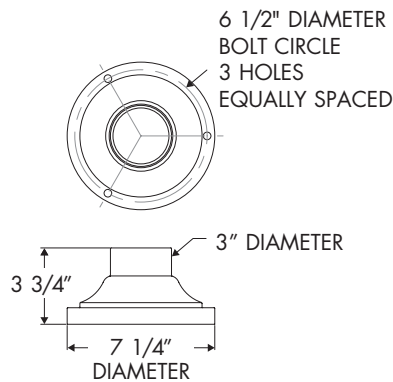


**PM-601**

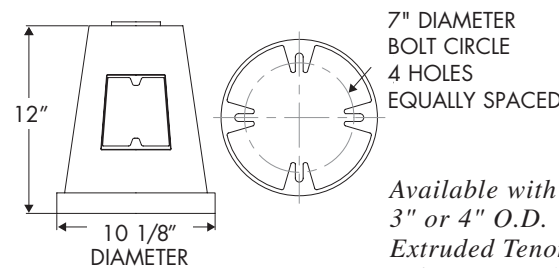
**PM-607**



**PM-600**



**PM-609**



**PM-620**

Available with  
3" or 4" O.D.  
Extruded Tenon  
(Please Specify  
Size)

*Extruded Tenons and Cast Aluminum Construction  
Pier Mounts provided with 3" O.D. Extruded Tenon*



**Environmental Lighting for Architecture, Inc.**  
17891 Arenth Avenue, City of Industry, CA 91748-1197  
626.965.0821 • 800.423.6561 • fax 626.965.9494  
www.ela-lighting.com