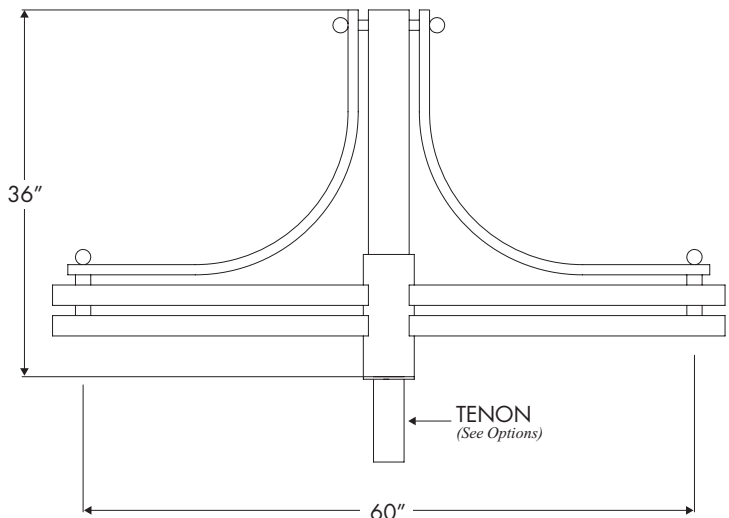
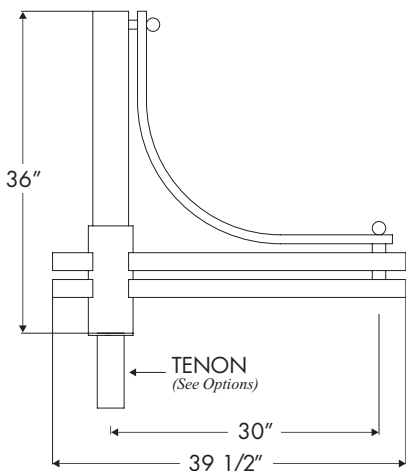


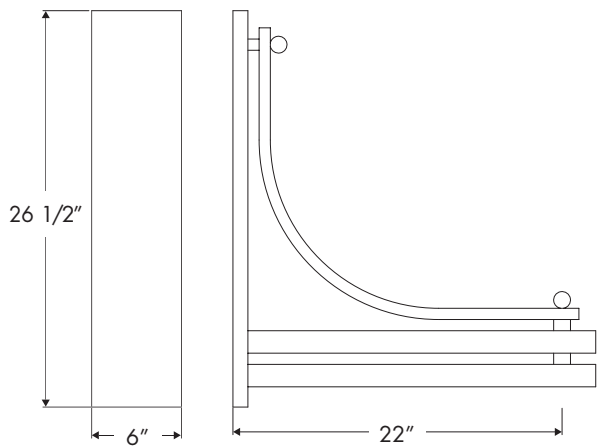
Note: Specifications are subject to change without notice. Always consult factory.



**CR-34B**



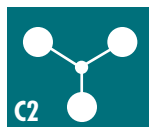
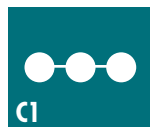
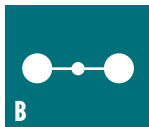
**CR-34A**



**BR-34**

*Durable Cast and Extruded Aluminum Construction*

**CONFIGURATIONS**



*Options*  
 Cross Arm tenon is fitted for 3"  
 and 4" diameter poles per request.

**Environmental Lighting for Architecture, Inc.**  
 17891 Arenth Avenue, City of Industry, CA 91748-1197  
 626.965.0821 • 800.423.6561 • fax 626.965.9494  
 www.ela-lighting.com