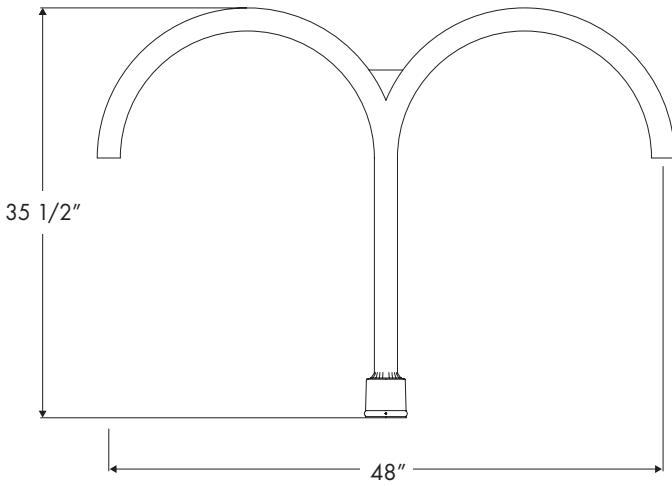
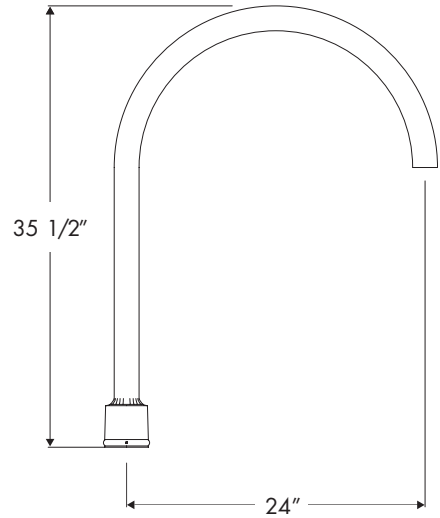


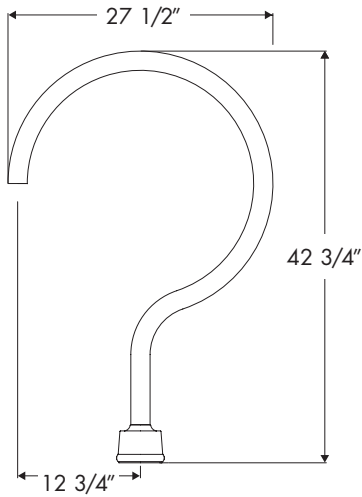
Note: Specifications are subject to change without notice. Always consult factory.



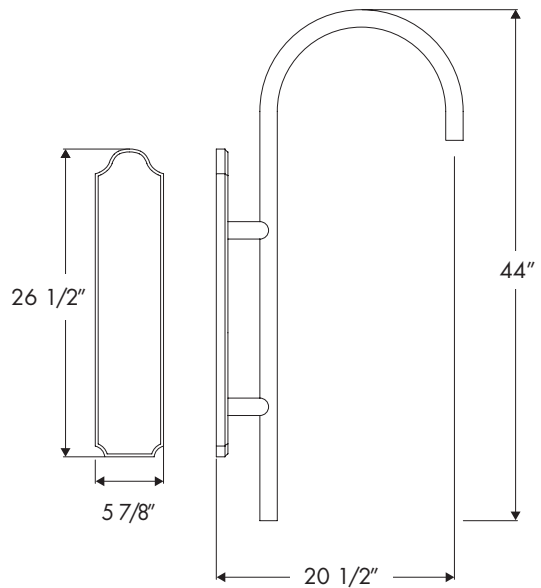
**CR-17B**



**CR-17A**



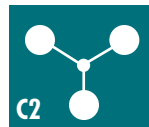
**CR-18**



**BR-17**

*Durable Cast and Extruded Aluminum Construction*

## CONFIGURATIONS



**Environmental Lighting for Architecture, Inc.**  
17891 Arenth Avenue, City of Industry, CA 91748-1197  
626.965.0821 • 800.423.6561 • fax 626.965.9494  
[www.ela-lighting.com](http://www.ela-lighting.com)