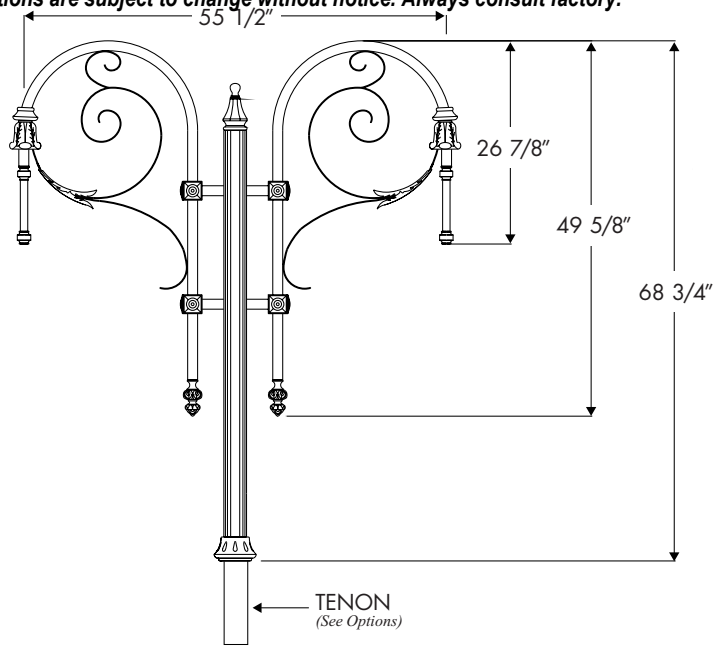
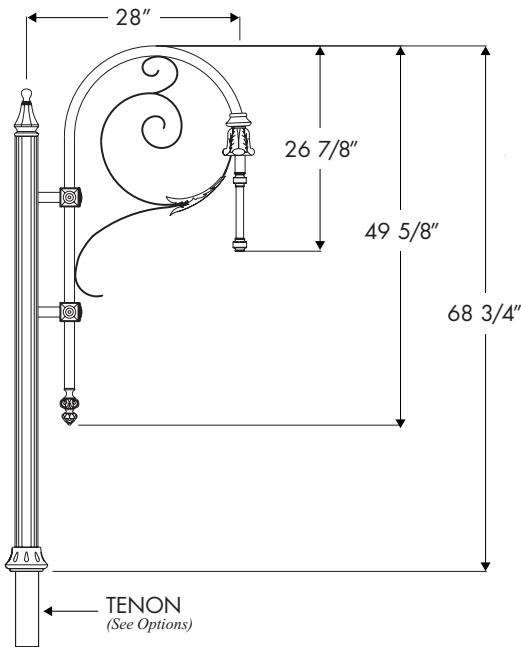


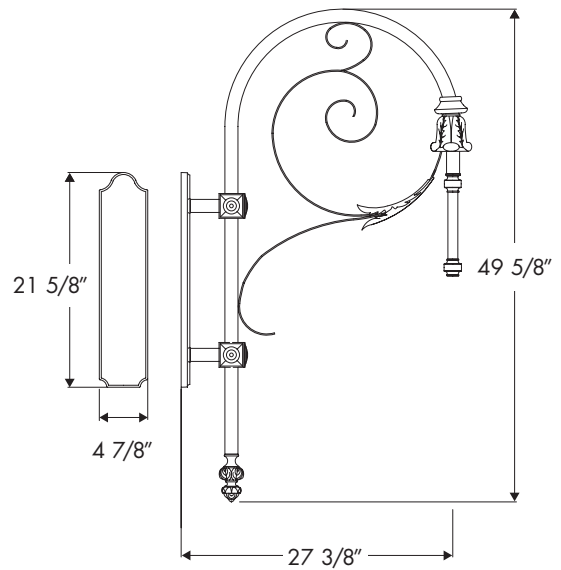
Note: Specifications are subject to change without notice. Always consult factory.



**CR-16B**



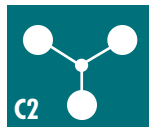
**CR-16A**



**BR-16A**

*Durable Cast and Extruded Aluminum Construction*

**CONFIGURATIONS**



*Options*

*Cross Arm tenon is fitted for 3" and 4" diameter poles per request.*

**Environmental Lighting for Architecture, Inc.**  
 17891 Arenth Avenue, City of Industry, CA 91748-1197  
 626.965.0821 • 800.423.6561 • fax 626.965.9494  
[www.ela-lighting.com](http://www.ela-lighting.com)