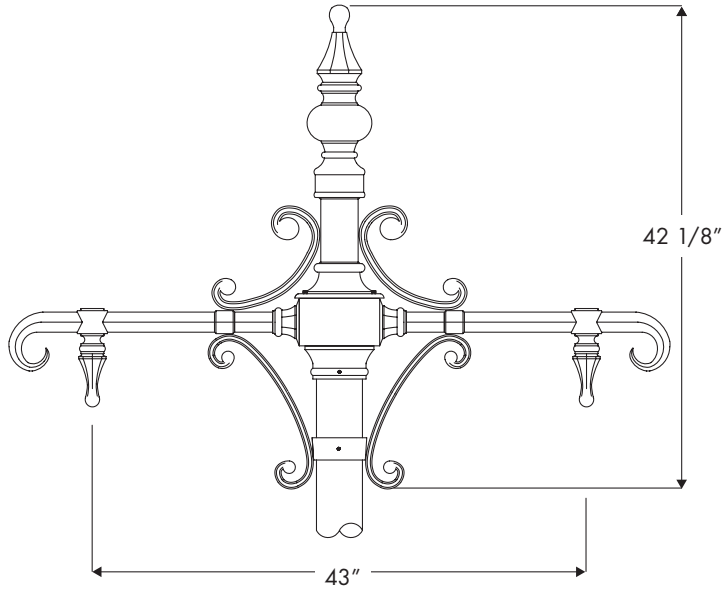
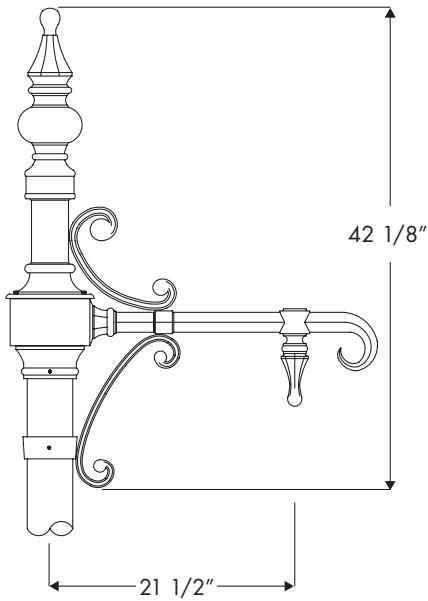


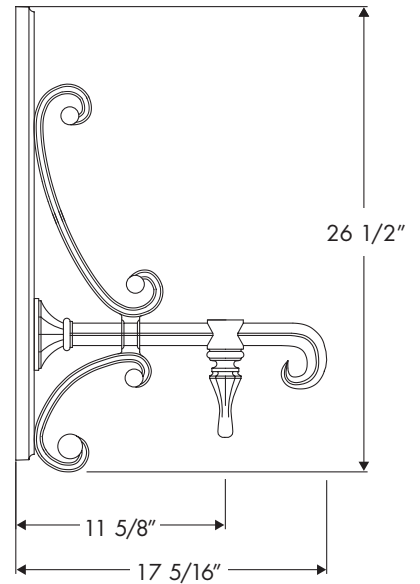
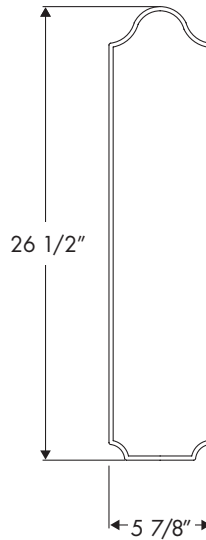
Note: Specifications are subject to change without notice. Always consult factory.



CR-2B



CR-2A



BR-105

Durable Cast and Extruded Aluminum Construction

CONFIGURATIONS



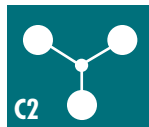
A



B



C1



C2



D1



D2



E



Environmental Lighting for Architecture, Inc.
17891 Arenth Avenue, City of Industry, CA 91748-1197
626.965.0821 • 800.423.6561 • fax 626.965.9494
www.ela-lighting.com