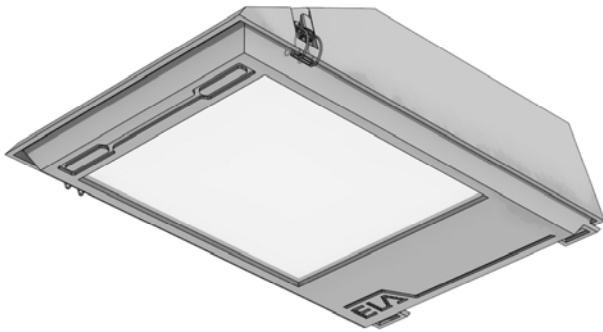


Project Name:	Type:
Notes:	Order Matrix Number:

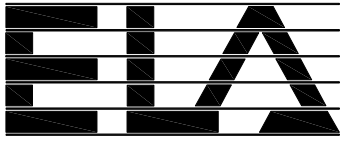
WEDGE



The Wedge is a sleek luminaire designed to deliver a minimal design appearance with maximum performance. Mission accomplished! It easily outperforms its closest competitors in side-by-side laboratory testing. Suitable for cross arm or wall mounting conditions. The Wedge is a perfect high-end solution to street and roadway lighting, parking lots, site and walkway lighting, shopping malls, schools and universities and much more.

Constructed of high grade aluminum with a powder coat finish and sealed with a tempered glass lens, the Wedge is built for the harshest outdoor elements. The Wedge can also meet or exceed the high standards of today's lighting requirements by offering extraordinary optics. The Wedge is available with an array of high-performance segmented reflectors to achieve maximum performance for all light distributions and is designed with a natural full cut-off to meet all Dark Skies requirements. Available with a maximum 200 watt Metal Halide or 150 watt High Pressure Sodium, the Wedge can also accommodate today's Low-Energy requirements with up to 95 watt LED or 100 watt Induction sources while still maintaining exceptional light output.

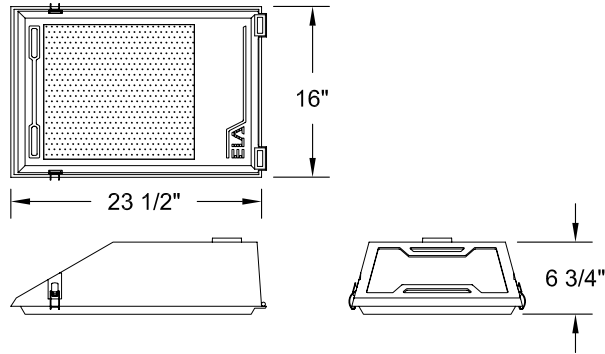
The Wedge offers a classic contemporary design while performing at a level that is second to none.



1	2	3	4	5	6	7	8	9
Fixture /	Size /	Mounting /	Optics /	Ballast /	Voltage /	Lens /	Color /	Option /
WDG /	23 /	A1 /	H3 /	100MH /	120 /	CG /	AG /	PCR /

1. Fixture: WDG

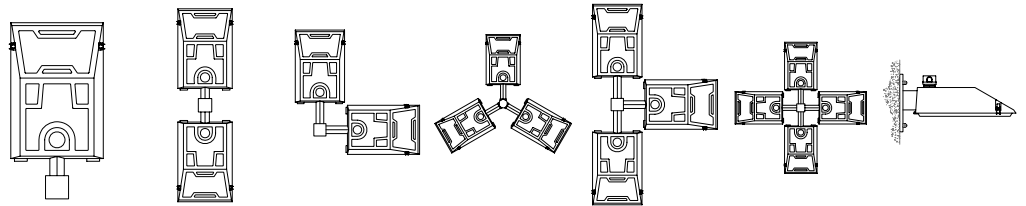
2. Size



Matrix #:
Description:
Notes:
EPA:
Weight:

Size 23
Max Wattage 200W
EPA: 0.9
30 lbs.

3. Mounting

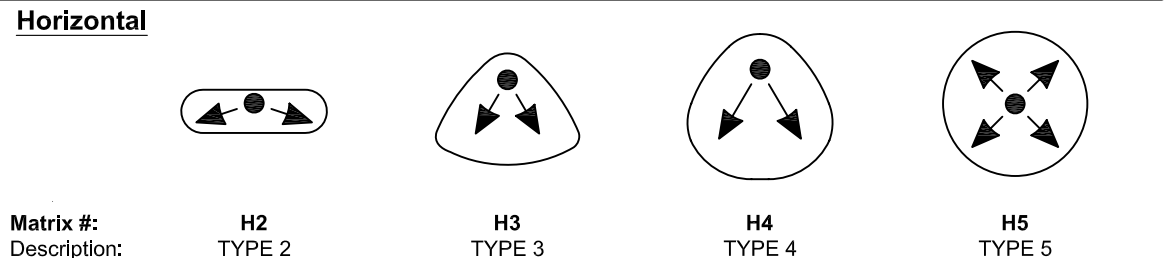


Notes:
1. Please consult factory for other mounting options.

Matrix #:
Description:

A1 Cross Arm	B1 180°	B2 90° Apart	C2 120° Apart	C3 90° Apart	D1 90° Apart	WB Wall Bracket
------------------------	-------------------	------------------------	-------------------------	------------------------	------------------------	---------------------------

4. Optics



5. Ballast

Description:

Matrix #:

Notes:
1. Electronic ballast available for 50, 70, 100, 150watt MH lamps. Please consult with factory for available voltages.
2. Other wattages and ballasts available. Consult factory.
3. All Induction setups are ONLY available in Types 3 and 5 distributions.
* Types 3 & 5 distribution ONLY
** Types 5 distribution ONLY

Pulse Start Metal Halide (Watts/Type)	Metal Halide (Watts/Type)	High Pressure Sodium (Watts/Type)	Compact Fluorescent (Watts/Type)	CosmoPolis (Watts/Type)	Incandescent (Watts/Type)	Induction Bulb Type (Watts/Type)
39PSMH	50MH	35HPS	13CFL*	60COS	INC	35iB
50PSMH	70MH	50HPS	18CFL*	90COS	LED (Watts/Type)	55iB *
70PSMH	100MH	70HPS	26CFL*	140COS	55LED	85iB *
100PSMH		100HPS	32CFL*	210COS	75LED	100iB *
150PSMH		150HPS	42CFL*	315COS	85LED	Induction Circular Type (Watts/Type)
200PSMH			57CFL*		95LED	40iC *
			70CFL*		115LED	70iC *
					125LED	80iC *
					135LED	

6. Voltage

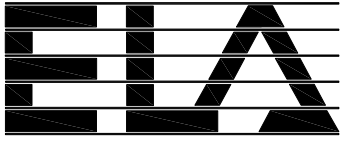
* Only these voltages are available with LED.
▲ Please consult factory for CFL availability

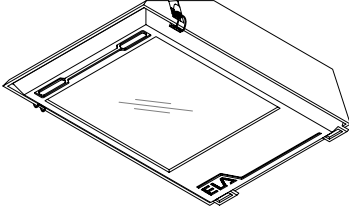
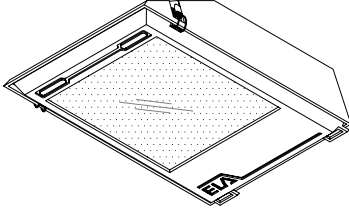
Matrix #:

120 *	208 *	240 *	277 *	347 *▲	480 *▲
--------------	--------------	--------------	--------------	---------------	---------------



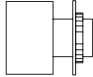
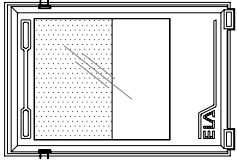
Description:

120V	208V	240V	277V	347V	480V
------	------	------	------	------	------

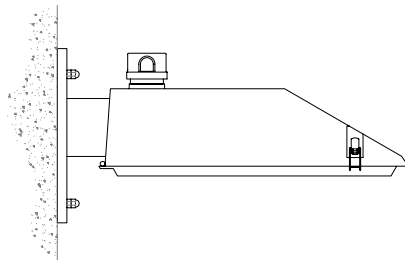


7. Lens		
	Matrix #: CG Description: Clear Tempered Glass	Matrix #: FG Description: Frosted Tempered Glass

8. Color	Powder Coat Finish		Hand-Applied Finish																																
	<table border="0"> <tr><td>Matrix #</td><td>Description</td><td>Matrix #</td><td>Description</td></tr> <tr><td>AG</td><td>Augustine Green</td><td>MG</td><td>Malaga Green</td></tr> <tr><td>GY</td><td>Architectural Grey</td><td>MN</td><td>Midnight</td></tr> <tr><td>CC</td><td>Charcoal</td><td>PW</td><td>Pewter</td></tr> <tr><td>CY</td><td>Clay</td><td>SS</td><td>Sand Storm</td></tr> <tr><td>DB</td><td>Dark Bronze</td><td>SB</td><td>Statuary Bronze</td></tr> <tr><td>HB</td><td>Harbor Blue</td><td>VL</td><td>Village Green</td></tr> <tr><td>HP</td><td>Hammered Pewter</td><td>W</td><td>White</td></tr> </table>	Matrix #	Description	Matrix #	Description	AG	Augustine Green	MG	Malaga Green	GY	Architectural Grey	MN	Midnight	CC	Charcoal	PW	Pewter	CY	Clay	SS	Sand Storm	DB	Dark Bronze	SB	Statuary Bronze	HB	Harbor Blue	VL	Village Green	HP	Hammered Pewter	W	White		
Matrix #	Description	Matrix #	Description																																
AG	Augustine Green	MG	Malaga Green																																
GY	Architectural Grey	MN	Midnight																																
CC	Charcoal	PW	Pewter																																
CY	Clay	SS	Sand Storm																																
DB	Dark Bronze	SB	Statuary Bronze																																
HB	Harbor Blue	VL	Village Green																																
HP	Hammered Pewter	W	White																																

9. Options	<p>Notes:</p> <p>1. BBU option is available for fluorescent lamp only.</p> <p>2. Test button location shall have visibility for testing on site. Consult factory for placement location.</p> <p>Photocell Options: Photocell is available in 120 thru 480 volts. Specify when ordering.</p>			
				
	Matrix #: BBU Description: Battery Backup	Matrix #: PCR Description: Photocell Receptacle <i>Twist Lock by others</i>	Matrix #: PCB Description: Photocell Button	Matrix #: HSS Description: House Side Shield

Fixture Ordering Example:

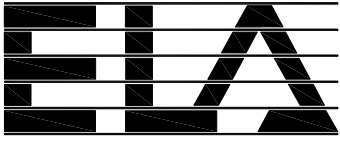


1	2	3	4	5	6	7	8	9								
Fixture	/	Size	/	Mounting	/	Optics	/	Ballast	/	Voltage	/	Lens	/	Color	/	Option
WDG	/	23	/	A1	/	H3	/	100MH	/	120	/	CG	/	AG	/	PCR

Fixture Ordering Form:

1	2	3	4	5	6	7	8	9								
Fixture	/	Size	/	Mounting	/	Optics	/	Ballast	/	Voltage	/	Lens	/	Color	/	Option

1. _____ / _____ / _____ / _____ / _____ / _____ / _____ / _____ / _____



Specifications:

Fixture Housing: Two-piece cast, low copper aluminum #A356 alloy (<0.6% Cu) consisting of the main body housing and a permanently attached, hinged door/lens panel.

Optics: Units shall be spun or segmented sharp cut-off optics. Reflector assemblies are rigidly mounted within a sand-cast, low copper (<0.6% Cu) aluminum alloy enclosure.

Electrical Module: All electrical components are UL and CSA recognized, mounted on a single plate, and factory pre-wired. All sockets are factory pre-wired. A quick-disconnect plug for the ballast module is standard. *Reference pages 2 and 3 for lamp characteristics, ballast types, and voltage technical data.*

Lens: A 1/8" tempered glass lens retained by eight lens clips & sealed to lens frame by silicone gasket. Lens frame is hinged to housing by stainless steel expansion pins and seals the optical compartment with a one-piece gasket. Lens is to be factory installed.

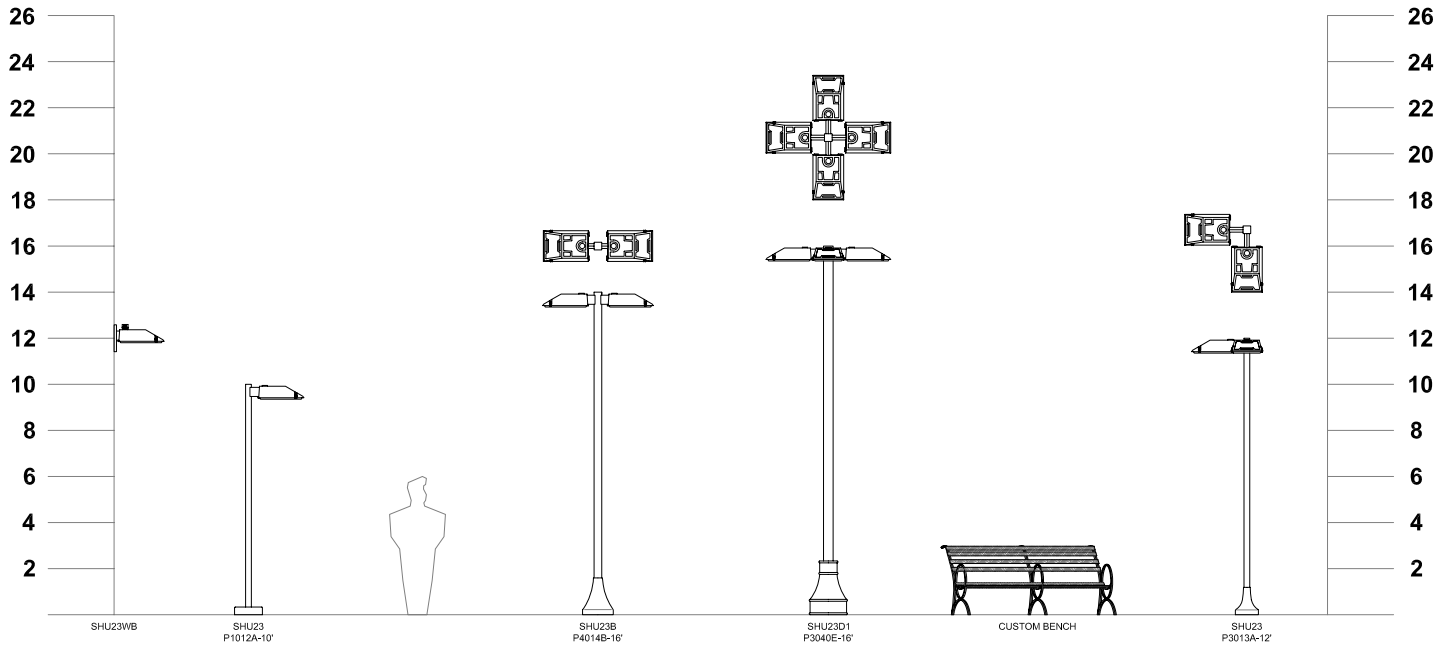
Finish/Color: Finish is super TGIC thermoset polyester powder coat. ELA offers RAL color matches along with our standard color selection. Custom and hand applied colors are available upon special request.

Certification: Fixtures shall be listed for outdoor, wet location. UL 1598. IP rating 65.

CAUTION: Fixtures must be grounded in accordance with national, state, and/or local codes. Failure to do so may result in serious personal injury.

ELA RESERVES THE RIGHT TO CHANGE SPECIFICATIONS WITHOUT NOTICE.

Elevated Scale: Suggested Poles and Arms for the Wedge Fixture



Fixture:	WDG23WB	WDG23		WDG23B	WDG23D1	ELA CUSTOM BENCH	WDG23B2
Arm:							
Pole:		P1012A-10		P4014B-16	P3040E-16		P3013A-12
Options:	PCR						