

Project Name:	Type:
Notes:	Order Matrix Number:

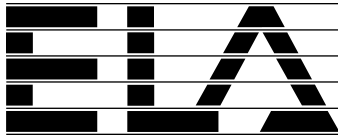
WASHINGTON 3



A quarter-sphere shaped wall sconce, the *Washington 3* combines a clean look with excellent performance. Available with either a clear or frosted glass lens, the *Washington 3* is the perfect solution for lighting walls, walkways, stairways, and much more. Suitable for both indoor and outdoor applications, the *Washington 3* is UL Listed for wet locations.

Constructed of high grade die cast aluminum and finished with a durable powder-coated finish, the *Washington 3* has a full cut-off for Dark Skies requirements. Available in up to a maximum 150 watt Metal Halide or High Pressure Sodium, the *Washington 3* completely complies with today's Low-Energy requirements with a 48 watt LED system or up to 42 watt CFL lamp, while still maintaining excellent light output.

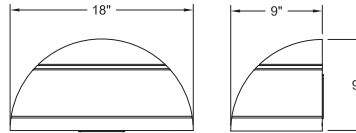
The *Washington 3* offers clean contemporary styling, extraordinary durability, and excellent performance for any architectural structure.



1	2	3	4	5	6	7	8	9
Fixture	Size	Mounting	Optics	Ballast	Voltage	Lens	Color	Option
WA3	18	WB	H5	48LED	120	FG	DB	-

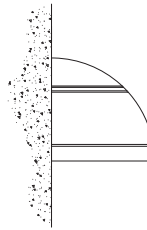
1. Fixture: WA3

2. Size



Matrix #: 18
Description:
Notes: Max Wattage 150W
EPA: --
Weight: 12 lbs.

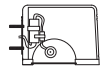
3. Mounting



Matrix #:
Description: **WB**
 Wall Bracket

4. Optics

Horizontal



Matrix #:
Description:



H3
 TYPE 3



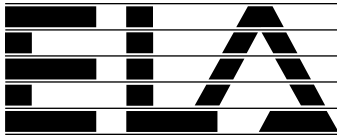
H5
 TYPE 5

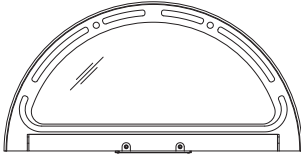
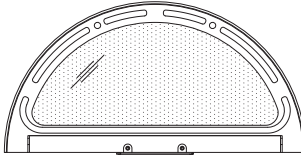
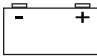

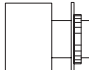
5. Ballast

Description:	Pulse Start Metal Halide (Watts / Type)	Metal Halide (Watts / Type)	High Pressure Sodium (Watts / Type)	Compact Fluorescent (Watts / Type)	LED (Watts / Type)
Matrix #:	50PSMH	T6 39MH	50HPS	13CFL	48LED *
	70PSMH	50MH	70HPS	18CFL	
	100PSMH	70MH	100HPS	26CFL	
	150PSMH	T6 70MH	150HPS	32CFL	
		100MH		42CFL	
		T6 150MH			
		150MH			

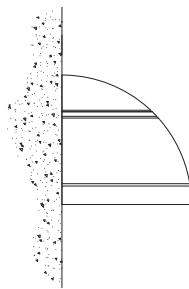
Notes:
 1. Electronic ballast available for 50, 70, 100 watt MH lamps.
 2. Other wattages and ballasts available. Consult factory.

* Fits type 5 only.



6. Voltage <small>* Only these voltages are available for LED. Consult factory for other voltages.</small>	Matrix #: 120 * 208 240 277 * 347 480 Description: 120V 208V 240V 277V 347V 480V
7. Lens Notes: <small>Consult factory for custom lens options.</small>	<div style="display: flex; justify-content: space-around; align-items: center;"> <div style="text-align: center;">  CG Clear Glass </div> <div style="text-align: center;">  FG Frosted Glass </div> </div> Matrix #: CG FG Description: Clear Glass Frosted Glass
8. Color Notes: <small>Consult factory for custom colors.</small>	Powder Coat Finish Matrix # Description DB Dark Bronze
9. Options Notes: <small>1. BBU option is available for fluorescent lamp only. 2. Test button location shall have visibility for testing on site. Consult factory for placement location.</small>	<div style="display: flex; justify-content: space-around; align-items: center;"> <div style="text-align: center;">  BBU Battery Backup </div> <div style="text-align: center;">  TB Terminal Block </div> <div style="text-align: center;">  PCB Photocell Button </div> </div>

Fixture Ordering Example:



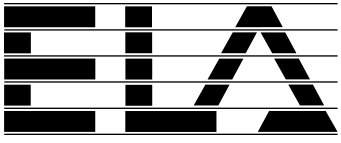
WA3/18/WB/H3/48LED/120/FG/DB

1	2	3	4	5	6	7	8	9
Fixture	Size	Mounting	Optics	Ballast	Voltage	Lens	Color	Option
WA3 <small>Washington 3 Fixture</small>	18 <small>18</small>	WB <small>Wall Bracket</small>	H5 <small>Horizontal Type 5</small>	48LED <small>48 Watt LED</small>	120 <small>120 Volts</small>	FG <small>Frosted Glass</small>	DB <small>Dark Bronze</small>	-

Fixture Ordering Form:

1	2	3	4	5	6	7	8	9	9	9
Fixture	Size	Mounting	Optics	Lamp	Voltage	Lens	Color	Option	Option	Option

1. **WA3** / _____ / _____ / _____ / _____ / _____ / _____ / _____ / _____ / _____ / _____



Specifications

Fixture Housing: Two-piece die-cast. Housing shall be corrosion resistant die cast aluminum alloy #A380. The housing shall be free of any foreign materials or cosmetic fillers. For other mounting options, consult factory for installation.

Optics: Units have a sheet metal fabricated reflector and are rigidly mounted within a die-cast, low copper (<0.6% Cu) aluminum alloy enclosure.

Electrical Module: All electrical components are UL and CSA recognized, and factory prewired. LED diodes have a color temperature of 5100K and are rated at 90 lumens per diode. An optional quick-disconnect plug for the ballast module is available when specified.
Reference pages 2 and 3 for lamp characteristics, ballast types, and voltage technical data.

Lens: Glass lens shall be a heated treated and impact resistant tempered glass lens. All lenses to be factory installed with continuous sealant.

Finish/Color: Finish is super TGIC thermoset polyester powder coat paint. ELA offers RAL color matches along with our standard color selection. Custom and hand applied colors are available upon special request.

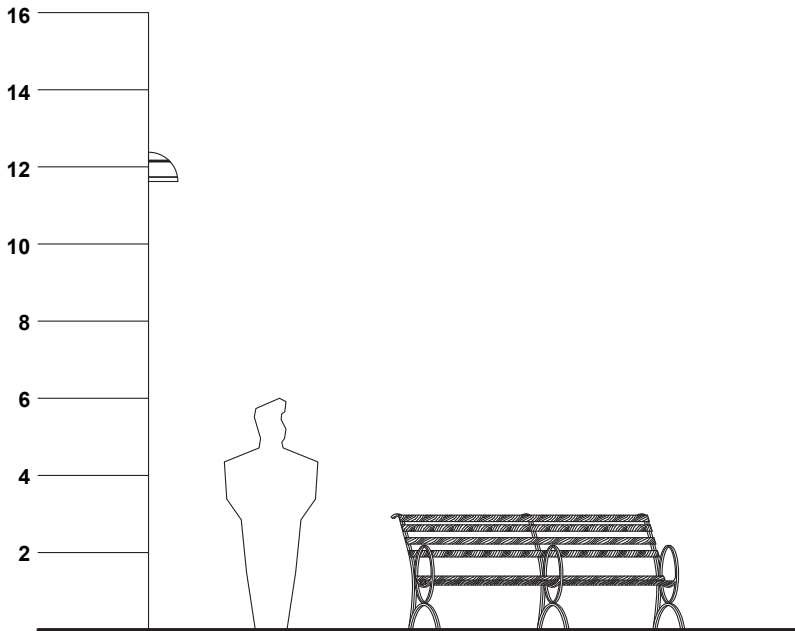
Certification: Fixtures shall be listed for outdoor, wet location. UL1598. IP rating 65.

CAUTION: Fixtures must be grounded in accordance with national, state, and/or local codes. Failure to do so may result in serious personal injury.

ELA RESERVES THE RIGHT TO CHANGE SPECIFICATIONS WITHOUT NOTICE.

Elevated Scale

Suggested Mounting Height
for the Washington 3 Fixture



Fixture : WA3/18/WB

Arm :

Pole:

Options :