

Environmental Lighting for Architecture, Inc.

Project Name:	Type:
Notes:	Order Matrix Number:

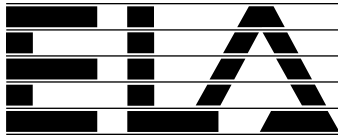
# WASHINGTON 1



ELA's *Washington 1* wall sconce is a trapezoid shaped design, available in two sizes, which combines a clean look with excellent performance. Available with either a clear or frosted glass lens, the *Washington 1* is the perfect solution for lighting walls, walkways, stairways, and much more. The *Washington 1* may be used both indoors and outdoors, as it is UL Listed for wet locations.

Constructed of high grade die cast aluminum and finished with a durable powder-coated finish, the *Washington 1* has a full cut-off for Dark Skies applications. Available in up to a maximum 400 watt Metal Halide or High Pressure Sodium, the *Washington 1* can also accommodate today's Low-Energy requirements with a 48 watt LED system or up to a 42 watt CFL lamp, while still maintaining excellent light output.

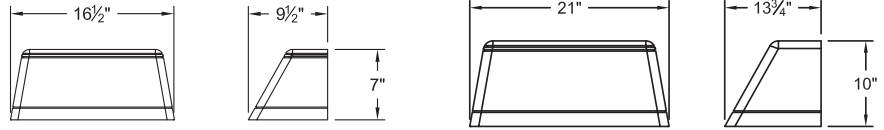
The *Washington 1* offers clean contemporary styling, extraordinary durability, and excellent performance for any architectural structure.



1	2	3	4	5	6	7	8	9
Fixture /	Size /	Mounting /	Optics /	Ballast /	Voltage /	Lens /	Color /	Option
<b>WA1 /</b>	<b>16 /</b>	<b>WB /</b>	<b>H5 /</b>	<b>48LED /</b>	<b>120 /</b>	<b>FG /</b>	<b>DB /</b>	<b>-</b>

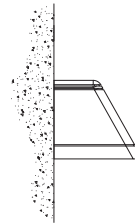
**1. Fixture: WA1**

**2. Size**



<b>Matrix #:</b>	<b>16</b>	<b>21</b>
<b>Description:</b>		
<b>Notes:</b>	Max Wattage 150W	Max Wattage 400W
<b>EPA:</b>	--	--
<b>Weight:</b>	12 lbs.	18 lbs.

**3. Mounting**



**Matrix #:**  
**Description:** **WB**  
Wall Bracket

**4. Optics**

**Horizontal**



**Matrix #:**  
**Description:**



**H3**  
TYPE 3



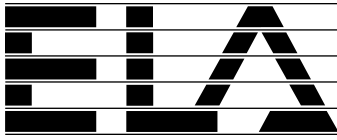
**H5**  
TYPE 5

**5. Ballast**

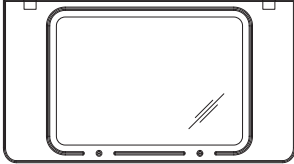
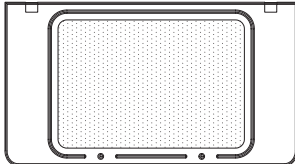
<b>Description:</b>	Pulse Start Metal Halide (Watts / Type)	Metal Halide (Watts / Type)	High Pressure Sodium (Watts / Type)	Compact Fluorescent (Watts / Type)	LED (Watts / Type)
<b>Matrix #:</b>	<b>50PSMH</b> <b>70PSMH</b> <b>100PSMH</b> <b>150PSMH</b> <b>200PSMH *</b> <b>250PSMH *</b> <b>320PSMH *</b> <b>350PSMH *</b> <b>400PSMH *</b>	<b>T6 39MH</b> <b>50MH</b> <b>70MH</b> <b>T6 70MH</b> <b>100MH</b> <b>T6 150MH</b> <b>150MH</b>	<b>50HPS</b> <b>70HPS</b> <b>100HPS</b> <b>150HPS</b> <b>200HPS *</b> <b>250HPS *</b> <b>400HPS *</b>	<b>13CFL</b> <b>18CFL</b> <b>26CFL</b> <b>32CFL</b> <b>42CFL</b>	<b>48LED **</b>

**Notes:**  
1. Electronic ballast available for 50, 70, 100 watt MH lamps.  
2. Other wattages and ballasts available. Consult factory.

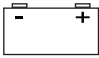

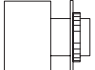
\* Fits size 21 only.  
\*\* Fits size 16 and type 5 only.



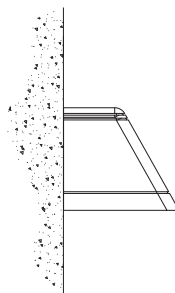
<b>6. Voltage</b> <small>* Only these voltages are available for LED. Consult factory for other voltages.</small>	<b>Matrix #:</b>	<b>120 *</b>	<b>208</b>	<b>240</b>	<b>277 *</b>	<b>347</b>	<b>480</b>
	<b>Description:</b>	120V	208V	240V	277V	347V	480V

<b>7. Lens</b>  <small>Notes: Consult factory for custom lens options.</small>		
	<b>Matrix #:</b> CG <b>Description:</b> Clear Glass	<b>Matrix #:</b> FG <b>Description:</b> Frosted Glass

<b>8. Color</b>  <small>Notes: Consult factory for custom colors.</small>	<b>Powder Coat Finish</b> <b>Matrix #</b> Description <b>DB</b> Dark Bronze   
-------------------------------------------------------------------------------------	-----------------------------------------------------------------------------------------------

<b>9. Options</b>  <small>Notes: 1. BBU option is available for fluorescent lamp only. 2. Test button location shall have visibility for testing on site. Consult factory for placement location.</small>	 <b>BBU</b> Battery Backup	 <b>TB</b> Terminal Block	 <b>PCB</b> Photocell Button
-------------------------------------------------------------------------------------------------------------------------------------------------------------------------------------------------------------------------	---------------------------------------------------------------------------------------------------------------------	---------------------------------------------------------------------------------------------------------------------	-------------------------------------------------------------------------------------------------------------------------

**Fixture Ordering Example:**



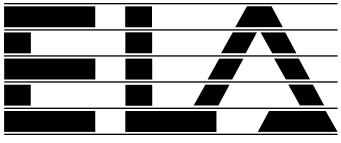
WA1/16/WB/H5/48LED/120/FG/DB

1	2	3	4	5	6	7	8	9
Fixture	Size	Mounting	Optics	Ballast	Voltage	Lens	Color	Option
WA1 <small>Washington 1 Fixture</small>	16 <small>16</small>	WB <small>Wall Bracket</small>	H5 <small>Horizontal Type 5</small>	48LED <small>48 Watt LED</small>	120 <small>120 Volts</small>	FG <small>Frosted Glass</small>	DB <small>Dark Bronze</small>	- <small>-</small>

**Fixture Ordering Form:**

1	2	3	4	5	6	7	8	9	9	9
Fixture	Size	Mounting	Optics	Lamp	Voltage	Lens	Color	Option	Option	Option

1. WA1 / \_\_\_\_\_ / \_\_\_\_\_ / \_\_\_\_\_ / \_\_\_\_\_ / \_\_\_\_\_ / \_\_\_\_\_ / \_\_\_\_\_ / \_\_\_\_\_ / \_\_\_\_\_ / \_\_\_\_\_



# Specifications

**Fixture Housing:** Two-piece die-cast. Housing shall be corrosion resistant die cast aluminum alloy #A380. The housing shall be free of any foreign materials or cosmetic fillers. For other mounting options, consult factory for installation.

**Optics:** Units have a sheet metal fabricated reflector and are rigidly mounted within a die-cast, low copper (<0.6% Cu) aluminum alloy enclosure.

**Electrical Module:** All electrical components are UL and CSA recognized, and factory prewired. LED diodes have a color temperature of 5100K and are rated at 90 lumens per diode. An optional quick-disconnect plug for the ballast module is available when specified.  
*Reference pages 2 and 3 for lamp characteristics, ballast types, and voltage technical data.*

**Lens:** Glass lens shall be a heat treated and impact resistant tempered glass lens. All lenses to be factory installed with continuous sealant.

**Finish/Color:** Finish is super TGIC thermoset polyester powder coat paint. ELA offers RAL color matches along with our standard color selection. Custom and hand applied colors are available upon special request.

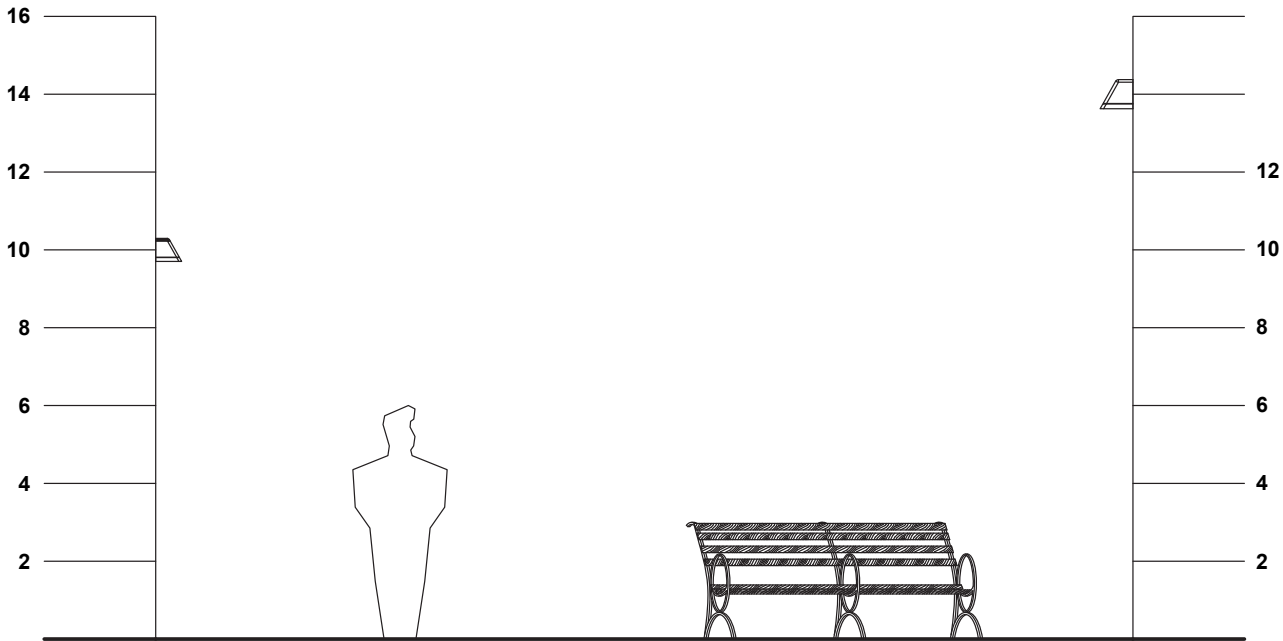
**Certification:** Fixtures shall be listed for outdoor, wet location. UL1598. IP rating 65.

**CAUTION:** Fixtures must be grounded in accordance with national, state, and/or local codes. Failure to do so may result in serious personal injury.

**ELA RESERVES THE RIGHT TO CHANGE SPECIFICATIONS WITHOUT NOTICE.**

# Elevated Scale

Suggested Mounting Height  
for the Washington 1 Fixture



Fixture : WA1/16/WB

WA1/21/WB

Arm :

Pole:

Options :