



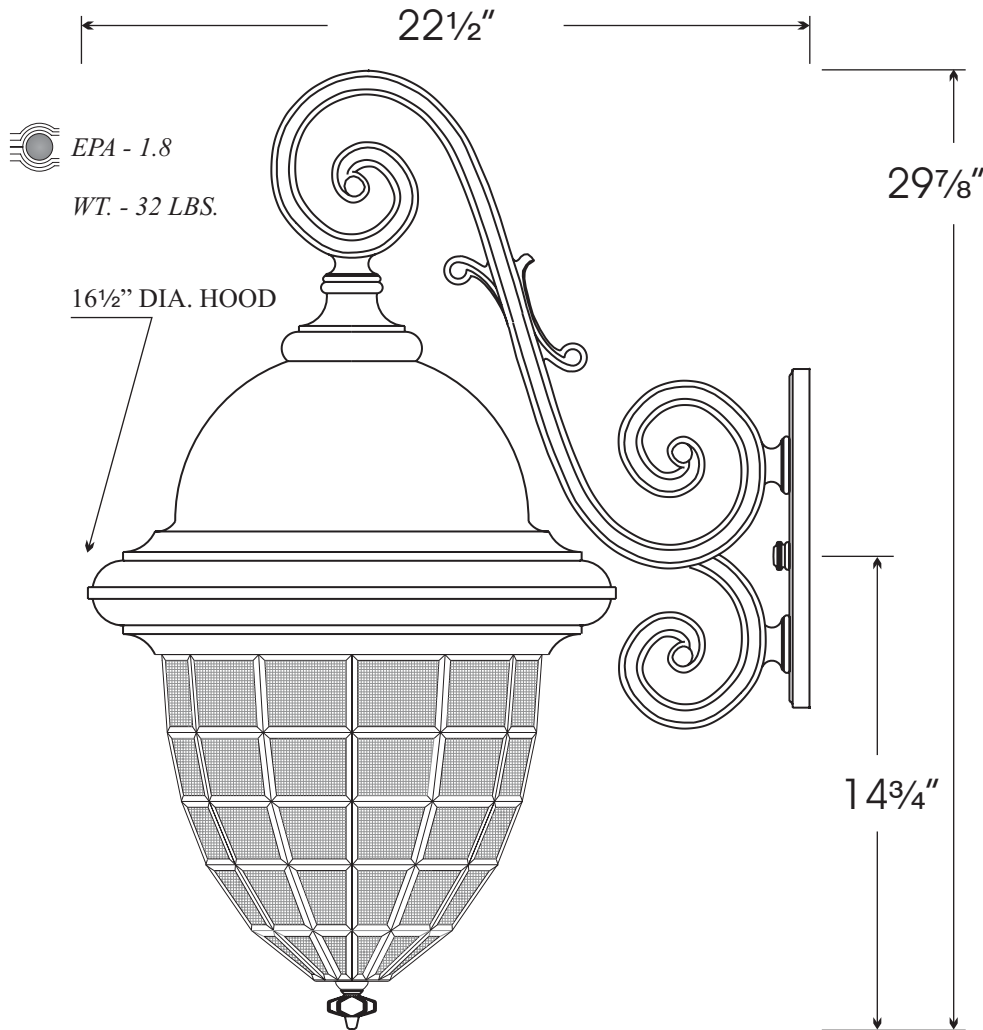
**ELA LIGHTING COMPANY, INC.**  
 17891 Arenth Avenue  
 City of Industry, CA 91748  
 Web: www.ela-lighting.com  
 E-mail: info@ela-lighting.com

Project  
 Type

**OAKHURST**

*Wall Mounted Lantern with Faceted Bound Glass Globe*

**L151-1BH  
 Luminaire**



EPA - 1.8  
 WT. - 32 LBS.

PHOTOMETRICS & LAYOUTS  
 AVAILABLE UPON REQUEST.

**WATTAGE:**  
 HID - 70, 75, 100, 150, and 175  
 Fluorescent - 13-42

**BALLAST:**  
 MH (Metal Halide)  
 HPS (High Pressure Sodium)  
 PL (Compact Fluorescent)  
 PLS (Pulse Start)  
 INC (Incandescent)  
 OTHER (Please Specify)

**VOLTAGE:**  
 120, 208, 240 and 277  
 (Multi-Tap)

**SOCKET:**  
 MB - (Medium Base Porcelain)

**OPTICS:**  
 PG = Prismatic Glass Refractor  
 PG2 (Type II), PG3 (Type III),  
 or PG5 (Type V).  
 -or-  
 SP & ST = Polished Alum. Reflector  
 SP (Spun) or ST (Stacked)

**DIFFUSER:**  
 FBG - (Faceted Bound Glass)  
 OTHER (Please Specify)

**POWDER COAT FINISHES:**  
 MN (Midnight), DB (Dark Bronze),  
 WH (White), VL (Village Green),  
 NR (Natural Russet), GY (Gray),  
 DG (Dark Green), or  
 CUSTOM (Specify)

FIXTURE WATTAGE BALLAST VOLTAGE OPTICS DIFFUSER COLOR OPTIONS

L151-1BH	100	MH	120	N/A	FBG	DB	N/A
----------	-----	----	-----	-----	-----	----	-----

**OPTIONS:**  
 SEE END OF CATALOG

**SPECIFICATIONS:**

The **L1515-1BH** lantern is a period style cast (#356 grade) aluminum and fabricated aluminum and brass fixture. Corrosion resistant.

**TESTING:**  
 This product and all its components shall be U.L. Listed.

**ELECTRICAL:**  
 Ballasts are High Power Factor (HPF). Sockets are Med. Base 4KV Rated.

**OPTICS:**  
 Refractors shall be precision molded of Borosilicate glass with Types 2, 3 or 5 distribution or of spun aluminum.

**DARK SKIES (available):**  
 Units will be hydroformed or segmented sharp cut-off optics.

**WARRANTY:**  
 3-Year Manufacturer's warranty.

**ELA LIGHTING**

- ▶ An American Tradition Since 1929.
- ▶ Custom Capabilities Second To None.
- ▶ Other Materials Such As Copper, Brass, Stainless Steel And Iron Are Also Available.

**Call Toll Free: 1-800-423-6561**  
**Fax: 1-626-965-9494**