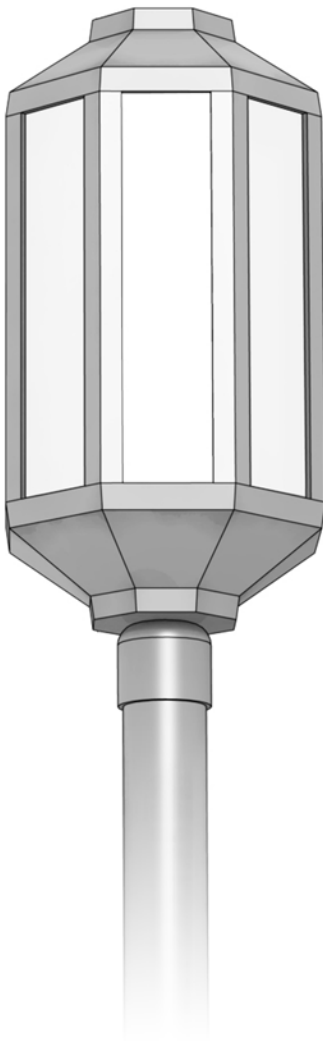


Project Name:	Type:
Notes:	Order Matrix Number:

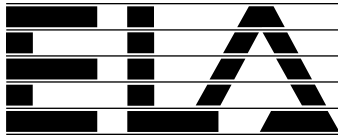
# MIRAMAR



The *Miramar* is a contemporary, eight-sided luminaire that offers several mounting styles and many lens options. A regular in ELA's line for years, this timeless design is suitable for pole, pier mount, crossarm, wall or ceiling mounted applications. The *Miramar* is a perfect specification for shopping malls, decorative street lighting, parking lots, government buildings, site and walkway lighting, schools, libraries, high-end residential applications, and much more.

Constructed of high grade cast aluminum with a powder-coated finish, the *Miramar* is built to endure the toughest of outdoor conditions. The *Miramar* can also meet the performance standards of today's lighting demands. It's available with an assortment of refractors or reflectors for Type III or Type V distributions and is also available with a **cut-off** if specified with a horizontal lamp. Available with a maximum 400 watt Metal Halide or 250 watt High Pressure Sodium, the *Miramar* can also accommodate today's **Low-Energy** requirements with up to 57 watt CFL, 200 watt Induction or 110 watt LED sources while still maintaining excellent light output.

With its clean contemporary style, superior durability, low-energy options and high performance standards, the *Miramar* is the perfect solution for a full array of lighting applications.



1	2	3	4	5	6	7	8	9
Fixture /	Size /	Mounting /	Optics /	Ballast /	Voltage /	Lens /	Color /	Option
MIR /	12 /	PT /	V5 /	100MH /	120 /	FG /	CY /	--

<b>1. Fixture: MIR</b>
<b>2. Size</b>

**12**  
Max Wattage 150W  
EPA: 1.0  
Weight: 30 lbs.

**15**  
Max Wattage 400W  
EPA: 1.8  
Weight: 40 lbs.

**Matrix #:**  
**Description:**  
**Notes:**  
**EPA:**  
**Weight:**

<b>3. Mounting</b>
--------------------

**CA**  
Cross Arm

**CP**  
Chain Pendant

**PT**  
Post Top

**SP**  
Stem Pendant

**WB**  
Wall Bracket

**Notes:**  
1. Please consult factory for other mounting options.  
2. When ordering Post Top, please specify fitter size.

**Matrix #:**  
**Description:**

<b>4. Optics</b>
------------------

**Vertical**

**Matrix #:**  
**Description:**

**V3 \***  
TYPE 3

**V5**  
TYPE 5

**Horizontal**

**Matrix #:**  
**Description:**

**H3**  
TYPE 3

**H5**  
TYPE 5

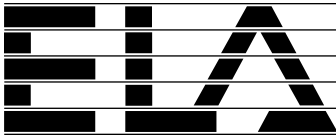
**Notes:**  
\* Glass refractor required.

<b>5. Ballast</b>	<b>Description:</b>
<b>Matrix #:</b>	

Pulse Start Metal Halide (Watts / Type)	Metal Halide (Watts / Type)	CosmoPolis Ceramic Metal Halide (Watts / Type)	High Pressure Sodium (Watts / Type)	Compact Fluorescent (Watts / Type)	LED (Watts / Type)	Induction Bulb Type (Watts / Type)	Induction Circular Type (Watts / Type)
50PSMH	T6-39MH	50MH	50HPS	13CFL	40LED ■	35iB ◆	40iC ■
70PSMH	50MH	40COS	70HPS	18CFL	55LED ■	55iB ◆	70iC ■
100PSMH	70MH	60COS	100HPS	26CFL	65LED ■	85iB ◆	80iC ■
150PSMH	T6 70MH	90COS	150HPS	32CFL	75LED ■	100iB ◆	
200PSMH	100MH	140COS	200HPS *	42CFL	85LED ■	120iB ◆	
250PSMH *	T6 150MH		250HPS *	57CFL	95LED ■	165iB ◆	Induction Tubular Type (Watts / Type)
320PSMH *					110LED ■	200iB ◆	40iT ◆
350PSMH *							70iT ◆
400PSMH *							80iT ◆
							100iT ◆

**Notes:**  
1. Electronic ballast available for 50, 70, 100, and 150 watt MH lamps.  
2. Other wattages and ballasts available. Consult factory.  
■ Fits horizontal only.  
◆ Fits vertical only.  
\* Fits model size 15 only.





# Specifications

**Fixture Housing:** Four-piece sand-cast. Housing shall be corrosion resistant cast aluminum alloy #A356. The housing shall be free of any foreign materials or cosmetic fillers. Standard fitters shall slip over 3" or 4" diameter tenons. For other mounting options, consult factory for installation.

**Optics:** Units shall be spun or segmented sharp cut-off optics. Specular Alzak® optical segments are rigidly mounted within a sand-cast, low copper (<0.6% Cu) aluminum alloy enclosure. For vertical lamping option, either an open lamp or prismatic borosilicate glass refractor will be utilized.

**Electrical Module:** All electrical components are UL and CSA recognized, mounted on a single plate, and factory pre-wired. All sockets are factory pre-wired. A quick-disconnect plug for the ballast module is standard. *Reference pages 2 and 3 for lamp characteristics, ballast types, and voltage technical data.*

**Lens:** Eight (8) side panels with lens clips provided for attachment to the fixture. Glass lenses shall be sealed in field by others. Other lenses to be factory installed.

**Finish/Color:** Finish is super TGIC thermoset polyester powder coat. ELA offers RAL color matches along with our standard color selection. Custom and hand applied colors are available upon special request.

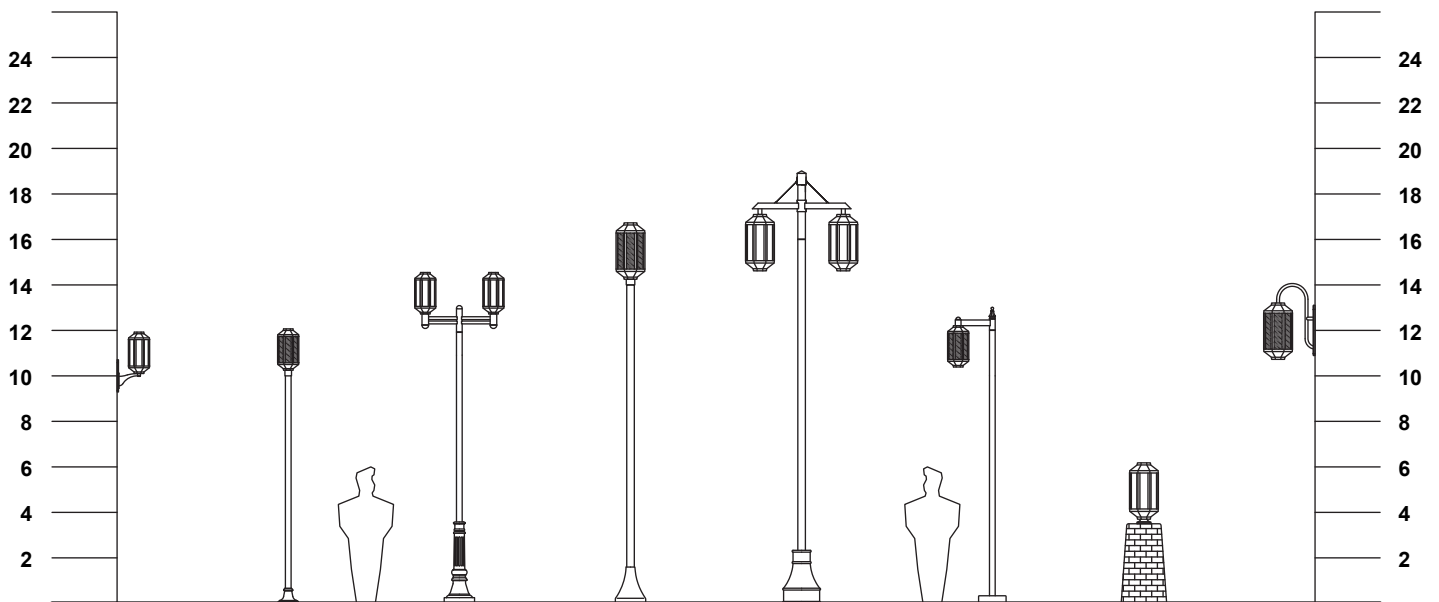
**Certification:** Fixtures shall be listed for outdoor, wet location. UL1598. IP rating 65.

**CAUTION:** Fixtures must be grounded in accordance with national, state, and/or local codes. Failure to do so may result in serious personal injury.

**ELA RESERVES THE RIGHT TO CHANGE SPECIFICATIONS WITHOUT NOTICE.**

# Elevated Scale

Suggested Poles and Arms for the Miramar Fixture



<b>Fixture :</b>	MIR/12/WB	MIR/12/PT	MIR/12/CA	MIR/17/PT	MIR/17/PD	MIR/12/PD	MIR/17/PT	MIR/17/WB
<b>Arm :</b>	WB352		CA4B		CA21B	CA98A		WB19
<b>Pole:</b>		P3010A-10'	P3016A-13'	P4014B-14'	P3040-16'	P1012A-12'	PM609	
<b>Options :</b>								

*Note: Modifications to the fixture and additional pole heights are available.*