



ELA LIGHTING COMPANY, INC.
 17891 Arenth Avenue
 City of Industry, CA 91748
 Web: www.ela-lighting.com
 E-mail: info@ela-lighting.com

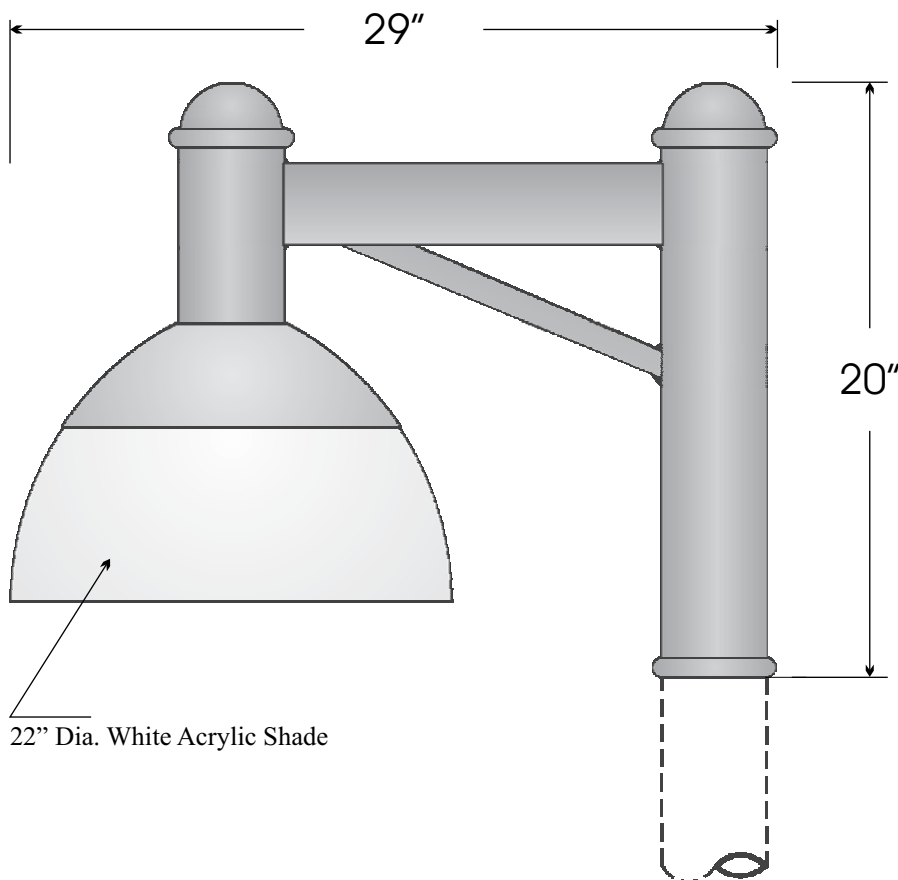
Project
 Type

EMBASSY
 Post Mounted Luminaire with Acrylic Shade

L3224
 Luminaire



WT. - 35 LBS.



22" Dia. White Acrylic Shade

PHOTOMETRICS & LAYOUTS
 AVAILABLE UPON REQUEST.

WATTAGE:
 HID - 50, 70, 75, 100, 150 and 175
 Fluorescent - 13-42

POSTLINE BALLAST:
 MH (Metal Halide)
 HPS (High Pressure Sodium)
 PL (Compact Fluorescent)
 PLS (Pulse Start)
 INC (Incandescent)
 OTHER (Please Specify)

VOLTAGE:
 120, 208, 240 and 277 (Multi-Tap)

SOCKET:
 MB - (Medium Base Porcelain)

OPTICS:
 N/A

DIFFUSER:
 CAC - (Clear Acrylic)
 WAC - (White Acrylic)
 OTHER (Please Specify)

POWDER COAT FINISHES:
 MN (Midnight), DB (Dark Bronze),
 WH (White), VL (Village Green),
 NR (Natural Russet), GY (Gray),
 DG (Dark Green), or
 CUSTOM (Specify)

FIXTURE WATTAGE BALLAST VOLTAGE OPTICS DIFFUSER COLOR OPTIONS

L3224

OPTIONS:
 SEE END OF CATALOG

SPECIFICATIONS:

The **L3224** lantern is a contemporary style cast (#356 grade) aluminum fixture. Corrosion resistant.

TESTING:
 This product and all its components shall be U.L. Listed.

ELECTRICAL:
 Ballasts are High Power Factor (HPF). Sockets are Med. or Mogul Base 4KV Rated.

OPTICS:
 Refractors shall be precision molded of Borosilicate glass with Types 2, 3 or 5 distribution or of spun aluminum.

DARK SKIES (available):
 N/A

WARRANTY:
 3-Year Manufacturer's warranty.

- ELA LIGHTING**
- ▶ An American Tradition Since 1929.
 - ▶ Custom Capabilities Second To None.
 - ▶ Other Materials Such As Copper, Brass, Stainless Steel And Iron Are Also Available.

Call Toll Free: 1-800-423-6561
 Fax: 1-626-965-9494

LA7-1



ELA LIGHTING COMPANY, INC.

17891 Arenth Avenue

City of Industry, CA 91748

Web: www.ela-lighting.com E-mail: info@ela-lighting.com

Phone: 800/423-6561 Fax: 626/965-9494

Photometry Testing Done By an Independent Testing Laboratory.

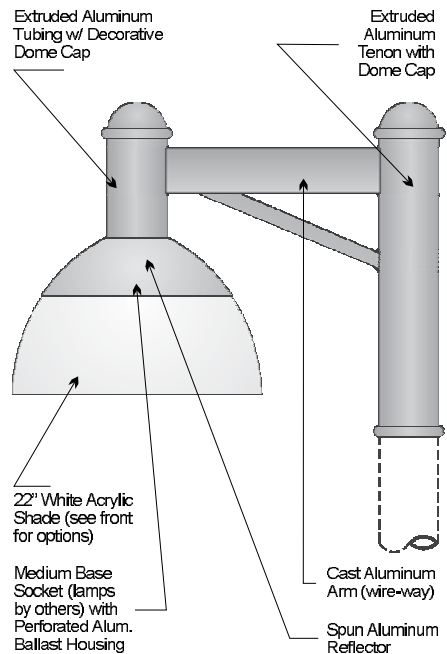
**L3224
Luminaire**

CONVERSION FACTORS

MOUNTING HEIGHTS

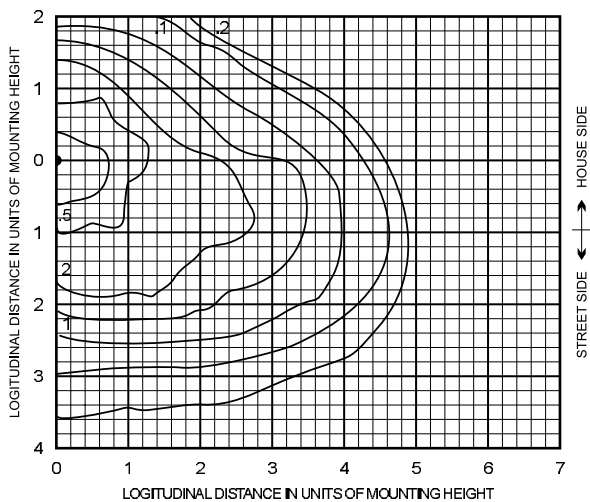
LAMP TYPE	LUMENS	9'	10'	12'	14'	16'	18'	20'	22'	25'
35 CLR HPS	2250	.23	.20	.14	.10	.08	.06			
70 CLR HPS	5800	.60	.52	.36	.27	.20	.16			
100 CLR HPS	9500	1.00	.86	.59	.44	.33	.26			
150 CLR HPS	16000	1.50	1.40	1.00	.74	.56	.44	.32	.20	.08
50 CLR MH	3800	.37	.33	.24	.18	.13	.11			
70 CLR MH	5500	.54	.48	.34	.25	.19	.15			
100 CLR MH	8500	.87	.76	.53	.39	.30	.23			
175 CLR MH	16600	1.75	1.50	1.00	.77	.58	.46	.34	.22	.10
100 DX MV	4200	.42	.37	.26	.19	.15	.12			
150 DX MV	8600	.85	.75	.54	.40	.30	.24			

SPECIFICATIONS

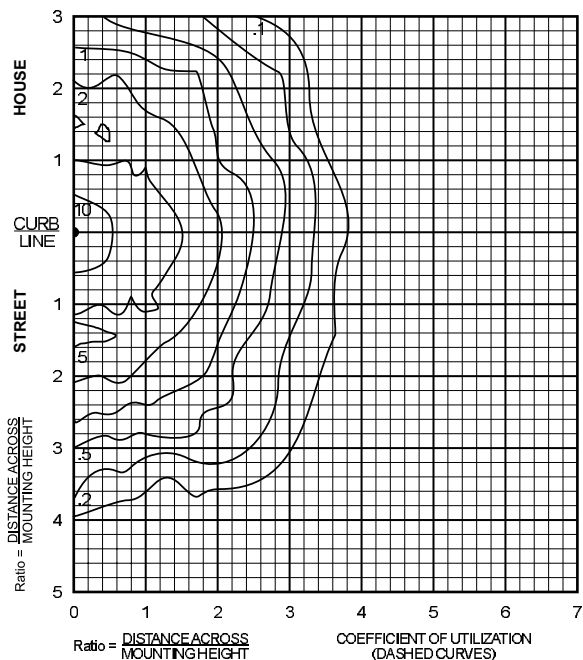


ISOLUX CHARTS

Type III Distributor
150w CLR HPS, 14400 Mean Lumens
12' Height



Type V Distribution
175w CLR MH, 9100 Mean Lumens
12' Height



LA7-2

Note: Specifications are subject to change without notice. Always consult factory.