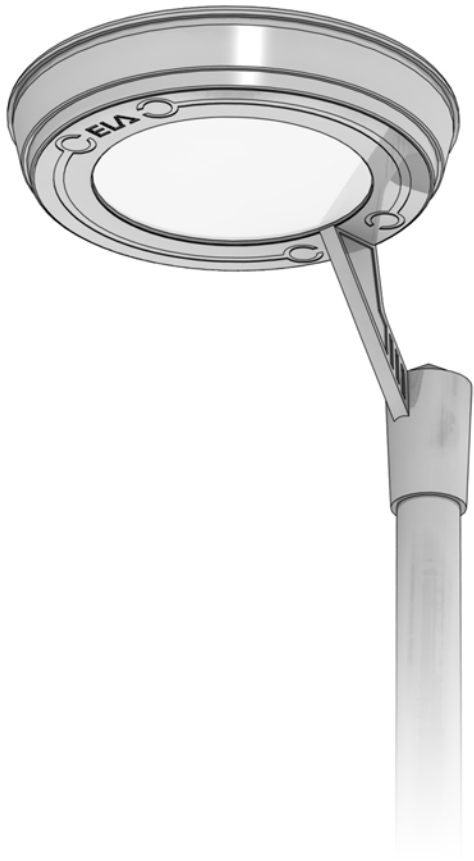
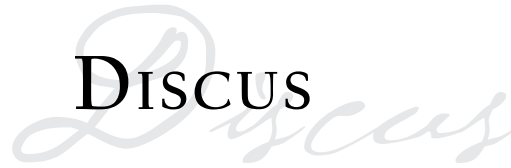


Project Name:	Type:
Notes:	Order Matrix Number:

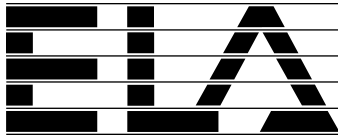
# DISCUS



The *Discus* is a clean contemporary luminaire designed to deliver maximum performance. Mission accomplished! Suitable for pole, crossarm, or wall mounting conditions, the *Discus* is a perfect high-end solution to street and roadway lighting, parking lots, site and walkway lighting, shopping malls, school and universities, and much, much more. Also the lens ring of the *Discus* is designed to laser-cut any logo or name into it to help provide a strong identity for any project.

Constructed of high grade aluminum with a powder-coated finish with a sealed, tempered glass lens, the *Discus* is built for the harshest outdoor elements. The low profile design of the *Discus* offers a low EPA to minimize wind-loading; while meeting or exceeding the high standards of today's lighting requirements by offering extraordinary optics. The *Discus* is available with an array of high-performance segmented reflectors to achieve maximum performance for all light distributions and is designed with a natural full cut-off to meet all Dark Sky requirements. Available with a maximum 400 watt Metal Halide or High Pressure Sodium, the *Discus* can also accommodate today's Low-Energy requirements with up to 135 watt LED or 150 watt Induction sources while still maintaining exceptional light output.

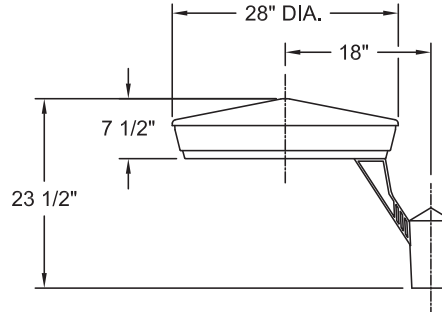
The *Discus* offers a classic contemporary look while performing at a level that is second to none.



1	2	3	4	5	6	7	8	9
Fixture /	Size /	Mounting /	Optics /	Ballast /	Voltage /	Lens /	Color /	Option
<b>DCS /</b>	<b>28 /</b>	<b>PT /</b>	<b>H5 /</b>	<b>100MH /</b>	<b>120 /</b>	<b>FG /</b>	<b>CY /</b>	<b>--</b>

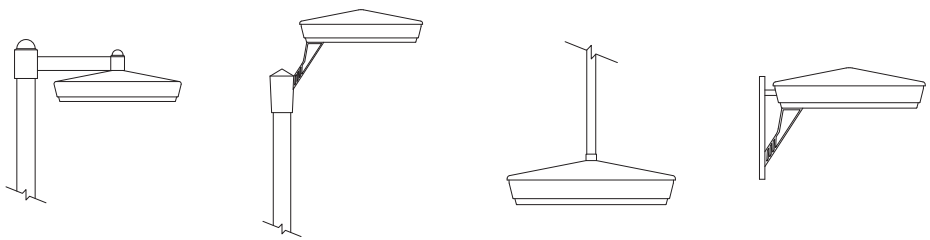
**1. Fixture: DCS**

**2. Size**



**Matrix #:** 28  
**Description:**  
**Notes:**  
**EPA:** Max Wattage 400W  
**Weight:** 0.8  
 48 lbs.

**3. Mounting**

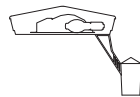


**Notes:**  
 1. Please consult factory for other mounting options.  
 2. When ordering Post Top, please specify fitter size.

**Matrix #:**  
**Description:** PD Pendant, PT Post Top, SP Stem Pendant, WB Wall Bracket

**4. Optics**

**Horizontal**



**Description:**

**Matrix #:**



**H2**  
TYPE 2



**H3**  
TYPE 3



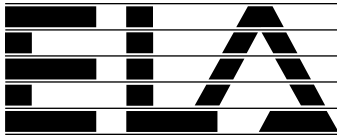
**H4**  
TYPE 4



**H5**  
TYPE 5


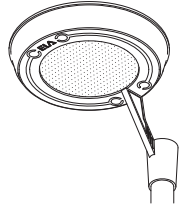
**5. Ballast**

<b>Description:</b>	Pulse Start Metal Halide (Watts / Type)	Metal Halide (Watts / Type)	CosmoPolis Ceramic Metal Halide (Watts / Type)	High Pressure Sodium (Watts / Type)	Compact Fluorescent (Watts / Type)	LED (Watts / Type)	Induction Tubular Type (Watts / Type)	Induction Circular Type (Watts / Type)
<b>Matrix #:</b>	50PSMH 70PSMH 100PSMH 150PSMH 200PSMH 320PSMH 350PSMH 400PSMH	50MH 70MH T6 70MH 100MH T6 150MH 250MH 350MH 400MH	40COS 60COS 90COS 140COS	50HPS 70HPS 100HPS 150HPS 250HPS 400HPS	18CFL 26CFL 32CFL 42CFL 57CFL 60CFL	55LED ** 65LED ** 75LED ** 85LED ** 95LED ** 135LED **	40iT * 70iT * 80iT * 100iT * 120iT * 150iT *	40iC * 70iC * 80iC * 100iC * 120iC *
<b>Notes:</b>	1. Electronic ballast available for 50, 70, 100, 150, 200, and 250 watt MH lamps. 2. Other wattages and ballasts available. Consult factory.						Incandescent (Watts / Type) <b>INC</b>	Induction Bulb Type (Watts / Type) <b>35iB **</b> <b>55iB **</b>
	* Fits type 5 only. ** Fits type 3 and type 5 only.							



<b>6. Voltage</b>	<b>Matrix #:</b>	<b>120 *</b>	<b>208</b>	<b>240</b>	<b>277 *</b>	<b>347</b>	<b>480</b>
	<b>Description:</b>	120V	208V	240V	277V	347V	480V

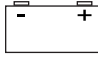
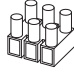
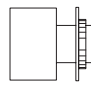

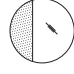

\* Only these voltages are available with LED.

<b>7. Lens</b>		
	<b>CG</b> Clear Glass	<b>FG</b> Frosted Glass

**Notes:**  
Consult factory for custom lens options.

<b>8. Color</b>	<b>Powder Coat Finish</b>	<b>Hand-Applied Finish</b>																																											
	<table border="0"> <tr> <th>Matrix #</th> <th>Description</th> <th>Matrix #</th> <th>Description</th> </tr> <tr> <td><b>AG</b></td> <td>Augustine Green</td> <td><b>MG</b></td> <td>Malaga Green</td> </tr> <tr> <td><b>GY</b></td> <td>Architectural Grey</td> <td><b>MN</b></td> <td>Midnight</td> </tr> <tr> <td><b>CC</b></td> <td>Charcoal</td> <td><b>PW</b></td> <td>Pewter</td> </tr> <tr> <td><b>CY</b></td> <td>Clay</td> <td><b>SS</b></td> <td>Sand Storm</td> </tr> <tr> <td><b>DB</b></td> <td>Dark Bronze</td> <td><b>SB</b></td> <td>Statuary Bronze</td> </tr> <tr> <td><b>HR</b></td> <td>Harbor Blue</td> <td><b>VL</b></td> <td>Village Green</td> </tr> <tr> <td><b>HP</b></td> <td>Hammered Pewter</td> <td><b>W</b></td> <td>White</td> </tr> </table>	Matrix #	Description	Matrix #	Description	<b>AG</b>	Augustine Green	<b>MG</b>	Malaga Green	<b>GY</b>	Architectural Grey	<b>MN</b>	Midnight	<b>CC</b>	Charcoal	<b>PW</b>	Pewter	<b>CY</b>	Clay	<b>SS</b>	Sand Storm	<b>DB</b>	Dark Bronze	<b>SB</b>	Statuary Bronze	<b>HR</b>	Harbor Blue	<b>VL</b>	Village Green	<b>HP</b>	Hammered Pewter	<b>W</b>	White	<table border="0"> <tr> <th>Matrix #</th> <th>Description</th> </tr> <tr> <td><b>CH</b></td> <td>Cracked Hide</td> </tr> <tr> <td><b>LV</b></td> <td>Light Verde</td> </tr> <tr> <td><b>OR</b></td> <td>Old Iron</td> </tr> <tr> <td><b>R</b></td> <td>Rust</td> </tr> <tr> <td><b>V</b></td> <td>Verde</td> </tr> </table>	Matrix #	Description	<b>CH</b>	Cracked Hide	<b>LV</b>	Light Verde	<b>OR</b>	Old Iron	<b>R</b>	Rust	<b>V</b>
Matrix #	Description	Matrix #	Description																																										
<b>AG</b>	Augustine Green	<b>MG</b>	Malaga Green																																										
<b>GY</b>	Architectural Grey	<b>MN</b>	Midnight																																										
<b>CC</b>	Charcoal	<b>PW</b>	Pewter																																										
<b>CY</b>	Clay	<b>SS</b>	Sand Storm																																										
<b>DB</b>	Dark Bronze	<b>SB</b>	Statuary Bronze																																										
<b>HR</b>	Harbor Blue	<b>VL</b>	Village Green																																										
<b>HP</b>	Hammered Pewter	<b>W</b>	White																																										
Matrix #	Description																																												
<b>CH</b>	Cracked Hide																																												
<b>LV</b>	Light Verde																																												
<b>OR</b>	Old Iron																																												
<b>R</b>	Rust																																												
<b>V</b>	Verde																																												

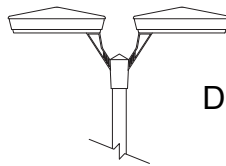
**Notes:**  
Consult factory for custom colors.

<b>9. Options</b>						
	<b>BBU</b> Battery Backup	<b>TB</b> Terminal Block	<b>PCB</b> Photocell Button	<b>PCR</b> Photocell receptacle Twist Lock by others	<b>HSS</b> House Side Shield	<b>CL</b> Custom Logo

**Notes:**  
1. BBU option is available for fluorescent lamp only.  
2. Test button location shall have visibility for testing on site. Consult factory for placement location.

**Photocell Options:**  
Photocell is available in 120 thru 480 volts.  
Photocell receptacle only fits some cross arms. Consult factory. Specify when ordering.

**Fixture Ordering Example:**



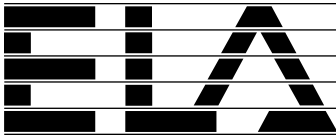
DCS/28/PT/H5/100MH/120/FG/CY

1	2	3	4	5	6	7	8	9
Fixture	Size	Mounting	Optics	Ballast	Voltage	Lens	Color	Option
DCS	28	PT	H5	100MH	120	FG	CY	-
Discus Fixture	28	Post Top	Horizontal Type 5	100 Watt Metal Halide	120 Volts	Frosted Glass	Clay	-

**Fixture Ordering Form:**

1	2	3	4	5	6	7	8	9	9	9
Fixture	Size	Mounting	Optics	Lamp	Voltage	Lens	Color	Option	Option	Option

1. DCS / \_\_\_\_\_ / \_\_\_\_\_ / \_\_\_\_\_ / \_\_\_\_\_ / \_\_\_\_\_ / \_\_\_\_\_ / \_\_\_\_\_ / \_\_\_\_\_ / \_\_\_\_\_ / \_\_\_\_\_



# Specifications

**Fixture Housing:** Two-piece sand-cast. Housing shall be corrosion resistant cast aluminum alloy #A356. The housing shall be free of any foreign materials or cosmetic fillers. Standard fitters shall slip over 4" diameter tenon. For other mounting options, consult factory for installation.

**Optics:** Units shall be spun or segmented sharp cut-off optics. Specular Alzak® optical segments are rigidly mounted within a sand-cast, low copper (<0.6% Cu) aluminum alloy enclosure.

**Electrical Module:** All electrical components are UL and CSA recognized, mounted to housing, and factory pre-wired. All sockets are factory pre-wired. *Reference pages 2 and 3 for lamp characteristics, ballast types, and voltage technical data.*

**Lens:** All lens options have continuous gasketing all around (sealed from water and insect entry). The glass lens shall be 1/8" thick tempered glass, factory installed.

**Finish/Color:** Finish is super TGIC thermoset polyester powder coat. ELA offers RAL color matches along with our standard color selection. Custom and hand applied colors are available upon special request.

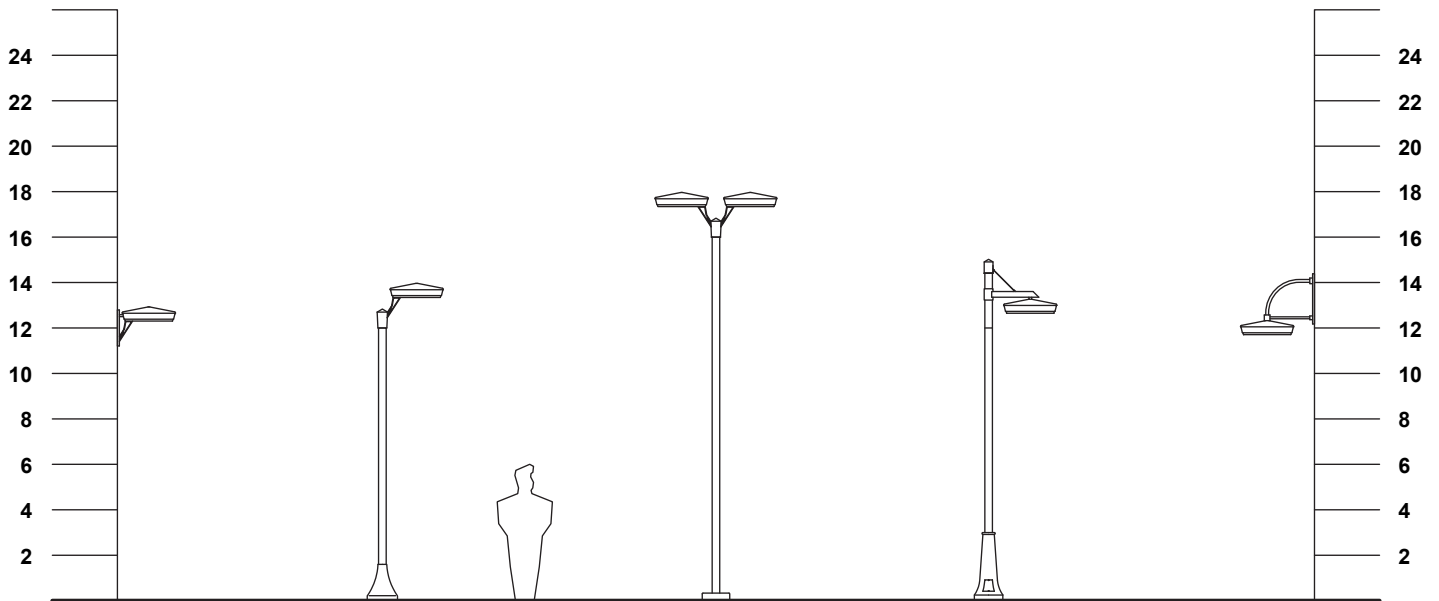
**Certification:** Fixtures shall be listed for outdoor, wet location. UL1598. IP rating 65.

**CAUTION:** Fixtures must be grounded in accordance with national, state, and/or local codes. Failure to do so may result in serious personal injury.

**ELA RESERVES THE RIGHT TO CHANGE SPECIFICATIONS WITHOUT NOTICE.**

# Elevated Scale

Suggested Poles and Arms  
for the Discus Fixture



<b>Fixture :</b>	DCS/28/WB	DCS/28/PT	DCS/28/PT	DCS/28/PD	DCS/28/WB
<b>Arm :</b>	WB258			CA21A	WB260
<b>Pole:</b>		P4014B-12'	P1012B-16'	P3015B-12'	
<b>Options :</b>					

*Note: Modifications to the fixture and additional pole heights are available.*