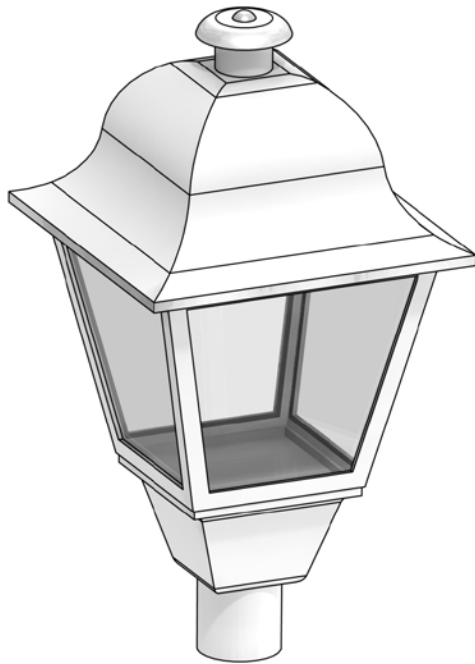


Project Name:	Type:
Notes:	Order Matrix Number:

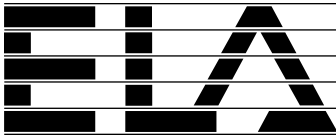
# DELAWARE



Available in two sizes, the *Delaware* is a traditional lantern that is able to perform in today's tough lighting standards. Suitable for pole, cross arm, wall or ceiling mounting conditions, the *Delaware* is often specified for court houses, museums, historical sites, schools, parking lots, site and walkway lighting, lighting for "Old Town" sections of cities, turn-of-the-century applications, and much more.

Constructed of high grade cast aluminum and finished with a powder-coated finish, the *Delaware* is built for the toughest of outdoor conditions. The *Delaware* can also meet the performance standards of today's lighting demands. It's available with an array of refractors or reflectors for several light distributions and is also available with a full cut-off to meet **Dark Skies** requirements. Available in up to a maximum 250 watt Metal Halide or High Pressure Sodium, the *Delaware* can also accommodate today's **Low-Energy** requirements with up to 75 watt LED or 250 watt Induction sources while still maintaining excellent light output.

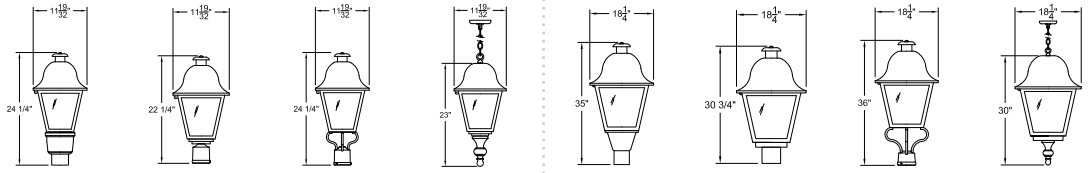
The *Delaware* offers a classic traditional look while meeting today's high performance standards for lighting.



1	2	3	4	5	6	7	8	9
Fixture /	Size /	Mounting /	Optics /	Ballast /	Voltage /	Lens /	Color /	Option
DLW /	18BH /	PT /	V5 /	100MH /	120 /	CG /	CY /	--

1. Fixture: DLW

2. Size



**Matrix #:**  
**Description:**  
**Notes:**  
**EPA:**  
**Weight:**

**12BH**  
Ballast  
Housing

**12ST**  
Step Housing  
Convex Fork  
Max Wattage 70W  
0.9  
22 lbs.

**12PD**  
Pendant

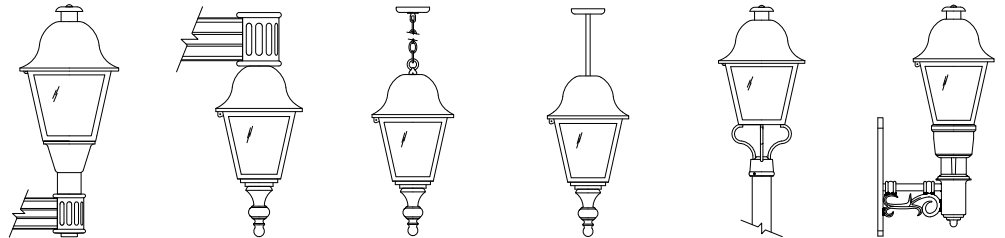
**18BH**  
Ballast  
Housing

**18ST**  
Step Housing  
Convex Fork  
Max Wattage 250W  
1.9  
32 lbs.

**18PD**  
Pendant

**NOTE:**  
Standard finial shown.

3. Mounting



**Notes:**  
1. Please consult factory for Poles, Wall Brackets, and other mounting options.  
2. When ordering Post Top, please specify fitter size.

**Matrix #:** CA Description: Cross Arm PD Description: Pendant CP Description: Chain Pendant SP Description: Stem Pendant PT Description: Post Top WB Description: Wall Bracket

4. Optics

Vertical



**Matrix #:**  
**Description:**



**V3 \*\***  
TYPE 3

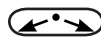


**V5**  
TYPE 5

Horizontal



**Matrix #:**  
**Description:**



**H2**  
TYPE 2



**H3 \* ♦**  
TYPE 3



**H4**  
TYPE 4



**H5 \* ♦**  
TYPE 5

**Notes:**  
1. Vertical optics fit a mogul base socket.  
2. Horizontal only use medium base socket, unless otherwise specified.

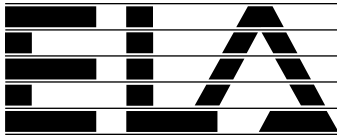
\* Fits mogul base socket and ED28 lamp.  
\*\* Glass refractor required.  
♦ Fits size 12 horizontal only.

5. Ballast

<b>Description:</b> Pulse Start Metal Halide (Watts / Type)	<b>Incandescent</b> (Watts / Type)	<b>Metal Halide</b> (Watts / Type)	<b>High Pressure Sodium</b> (Watts / Type)	<b>Compact Fluorescent</b> (Watts / Type)	<b>Induction Tubular Type</b> (Watts / Type)	<b>Induction Bulb Type</b> (Watts / Type)
<b>Matrix #:</b> 50PSMH 70PSMH 100PSMH ■ 150PSMH ■ 175PSMH ■ ♦ 200PSMH ■ ♦ 250PSMH ■ ♦	<b>INC</b>	50MH 70MH T6 70MH 100MH ■ T6 150MH ■	50HPS 70HPS 100HPS ■ 150HPS ■ 200HPS ■ 250HPS ■	18CFL 26CFL 32CFL 42CFL 57CFL ■	40iT ■ *	35iB 55iB 85iB ■ 100iB ■ 120iB ■ 165iB ■ 200iB ■ 250iB ■
			LED (Watts / Type) 40LED * 75LED * 135LED **		Induction Circular Type (Watts / Type) 40iC ■ * 70iC ■ * 80iC ■ * 100iC ■ *	

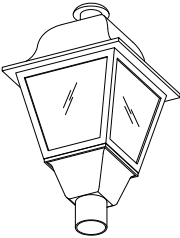
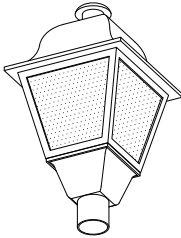
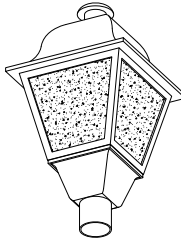
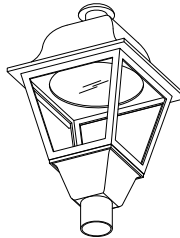
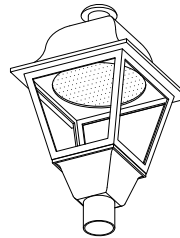
**Notes:**  
1. Electronic ballast available for 50, 70, 100, 150, 200, and 250 watt MH lamps.  
2. Other wattages and ballasts available. Consult factory.

■ Only fits model size 18.  
♦ Model size 18 fits vertical only.  
\* Fits horizontal type 5 only.  
\*\* Fits model size 18 horizontal type 3, and 5 only.



<b>6. Voltage</b>	<b>Matrix #:</b>	<b>120 *</b>	<b>208</b>	<b>240</b>	<b>277 *</b>	<b>347</b>	<b>480</b>
	<b>Description:</b>	120V	208V	240V	277V	347V	480V

\* Only these voltages are available with LED.

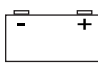

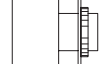



<b>7. Lens</b>					
	<b>CG</b> Clear Glass <b>CA</b> Clear Acrylic * <b>CP</b> Clear Polycarb.*	<b>FG</b> Frosted Glass <b>FA</b> Frosted Acrylic * <b>FP</b> Frosted Polycarb.*	<b>SG</b> Seedy Glass <b>SA</b> Seedy Acrylic *	<b>DSCG</b> Clear Glass (Dark Skies)	<b>DSFG</b> Frosted Glass (Dark Skies)

**Notes:**  
Consult factory for custom lens.

\* 50W max wattage fits model size 12 only.

<b>8. Color</b>	<b>Powder Coat Finish</b>		<b>Hand-Applied Finish</b>	
	<b>Matrix #</b> Description	<b>Matrix #</b> Description	<b>Matrix #</b> Description	<b>Matrix #</b> Description
	<b>AG</b> Augustine Green	<b>MG</b> Malaga Green	<b>CH</b> Cracked Hide	
	<b>GY</b> Architectural Grey	<b>MN</b> Midnight	<b>LV</b> Light Verde	
	<b>CC</b> Charcoal	<b>PW</b> Pewter	<b>OR</b> Old Iron	
	<b>CY</b> Clay	<b>SS</b> Sand Storm	<b>R</b> Rust	
	<b>DB</b> Dark Bronze	<b>SB</b> Statuary Bronze	<b>V</b> Verde	
	<b>HR</b> Harbor Blue	<b>VL</b> Village Green		
	<b>HP</b> Hammered Pewter	<b>W</b> White		

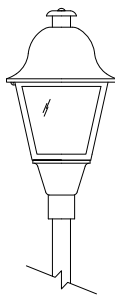
**Notes:**  
Consult factory for custom colors.

<b>9. Options</b>						
	<b>BBU</b> Battery Backup	<b>TB</b> Terminal Block	<b>PCB</b> Photocell Button	<b>PCR</b> Photocell receptacle Twist Lock by others	<b>VR</b> Vertical Glass Refractor	<b>HSS</b> House Side Shield

**Notes:**  
1) BBU option is available for fluorescent lamp only.  
2) Test button location shall have visibility for testing on site. Consult factory for placement location.

**Photocell Options:**  
Photocell is available in 120 thru 480 volts.  
Photocell receptacle only fits some cross arms. Consult factory. Specify when ordering.

**Fixture Ordering Example:**



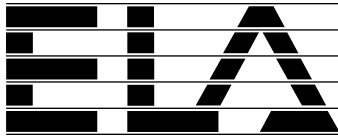
DLW/18BH/PT/V5/100MH/120/CG/CY

1	2	3	4	5	6	7	8	9
Fixture	Size	Mounting	Optics	Ballast	Voltage	Lens	Color	Option
DLW	18BH	PT	V5	100MH	120	CG	CY	-
Delaware Fixture	18 Ballast Housing	Post Top	Vertical Type 5	100 Watt Metal Halide	120 Volts	Clear Glass	Clay	-

**Fixture Ordering Form:**

1	2	3	4	5	6	7	8	9	9	9
Fixture	Size	Mounting	Optics	Lamp	Voltage	Lens	Color	Option	Option	Option

1. DLW / / / / / / / / / /



# Specifications

**Fixture Housing:** One-piece sand-cast. Housing shall be corrosion resistant cast aluminum alloy #A356. The housing shall be free of any foreign materials or cosmetic fillers. Standard fitters shall slip over 3" or 4" tenon. Please consult factory for other options. For wall and arm mounts, consult factory for installation.

**Optics:** Units shall be hydroformed or segmented sharp cut-off optics. Specular Alzak® optical segments are rigidly mounted within a sand-cast, low copper (<0.6% Cu) aluminum alloy enclosure. If refractor is ordered it shall be made of borosilicate glass with prismatic optics.

**Electrical Module:** All electrical components are UL and CSA recognized, mounted on a single plate, and factory prewired. An optional quick-disconnect plug for the ballast module is available when specified. *Reference pages 2 and 3 for lamp characteristics, ballast types, and voltage technical data.*

**Lens:** Four (4) side panels with stainless steel clips provided for attachment to the fixture. Glass side lenses shall be sealed in field by others. The Dark Skies lens options shall be tempered glass, factory installed.

**Finish/Color:** Finish is super TGIC thermoset polyester powder coat paint. ELA offers RAL color matches along with our standard color selection. Custom and hand applied colors are available upon special request.

**Certification:** Fixtures shall be listed for outdoor, wet location. UL1598. IP rating 65.

**CAUTION:** Fixtures must be grounded in accordance with national, state, and/or local codes. Failure to do so may result in serious personal injury.

**ELA RESERVES THE RIGHT TO CHANGE SPECIFICATIONS WITHOUT NOTICE.**

# Elevated Scale

Suggested Poles and Arms for the Delaware Fixture



<b>Fixture :</b>	DLW/12BH/WB	DLW/12ST/PT	DLW/18BH/PT	DLW/18CF/CA	DLW/18PD/PD	DLW/12PD/PD	DLW/12CF/PT	DLW/18ST/WB
<b>Arm :</b>	BR6			CR10B	CR2A	CR24A		BR7
<b>Pole:</b>		P3009A-8'	P3016A-10'	P3025D-14'	P3042B-14'	P3012A-8'	PM607	
<b>Options :</b>								

*Note: Modifications to the fixture and additional pole heights are available.*