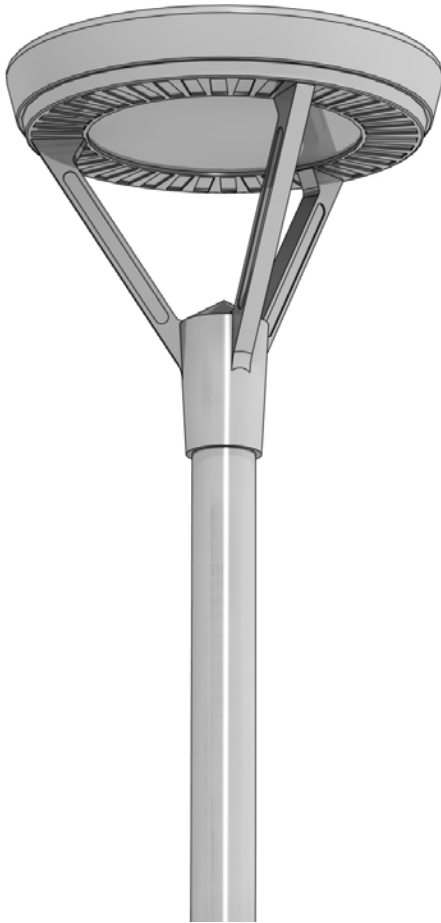


Project Name:	Type:
Notes:	Order Matrix Number:

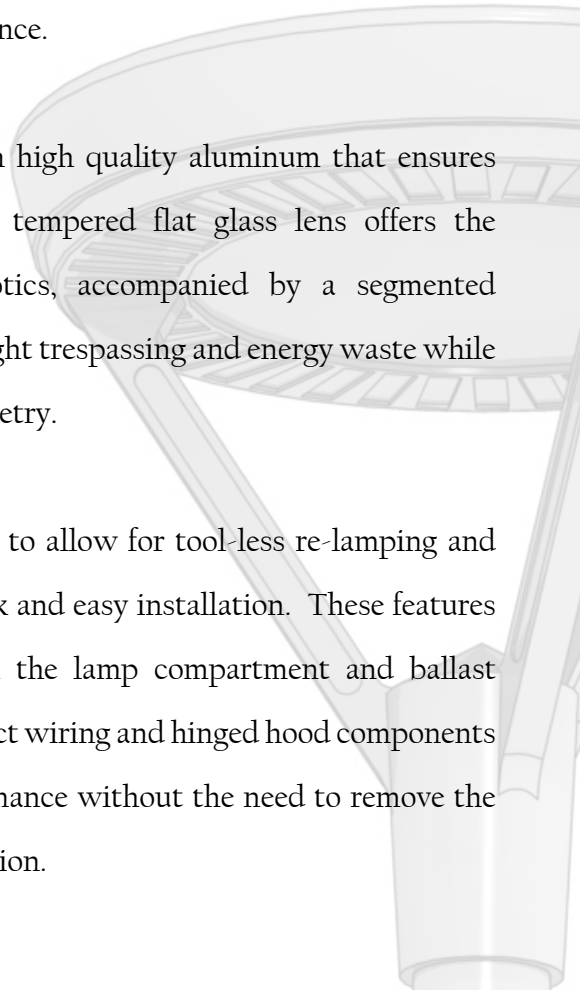
# CHUTE

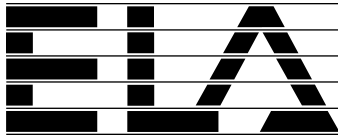


The *Chute* is part of ELA's contemporary style of fixtures that is aimed to fill the need for effective lighting performance and also match modern architecture and surroundings. This family of fixtures allows designers to illuminate the smallest walkways to large parking lot areas where safety is an issue, while keeping a continuous theme of design. Along with a modern design, the *Chute* utilizes segmented optics to allow the *Chute* to adhere to the growing demand for full cut-off (Dark Skies) compliance.

ELA provides the *Chute* with high quality aluminum that ensures strength and longevity. A tempered flat glass lens offers the performance of modern optics, accompanied by a segmented reflector, which minimizes light trespassing and energy waste while providing full cut-off photometry.

The *Chute* has been designed to allow for tool-less re-lamping and maintenance, as well as quick and easy installation. These features allow direct access to both the lamp compartment and ballast housing. The quick disconnect wiring and hinged hood components allow for fast on-site maintenance without the need to remove the *Chute* from its mounting location.

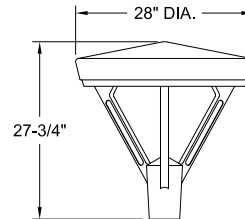




1	2	3	4	5	6	7	8	9
Fixture /	Size /	Mounting /	Optics /	Ballast /	Voltage /	Lens /	Color /	Option
<b>CHU</b> /	<b>28</b> /	<b>PT</b> /	<b>H5</b> /	<b>100MH</b> /	<b>120</b> /	<b>DSFG</b> /	<b>CY</b> /	<b>--</b>

**1. Fixture: CHU**

**2. Size**



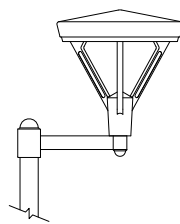
**Matrix #:**  
**Description:**  
**Notes:**  
**EPA:**  
**Weight:**

**28**  
 Max Wattage 400W  
 2.0  
 52 lbs.

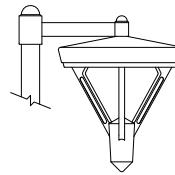
**3. Mounting**

**Notes:**  
 1. Please consult factory for Poles, Wall Brackets, and other mounting options.  
 2. When ordering Post Top, please specify fitter size.

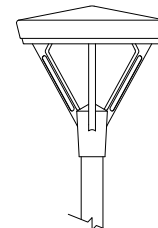
**Matrix #:**  
**Description:**



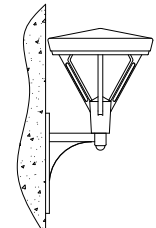
**CA**  
 Cross Arm



**PD**  
 Pendant



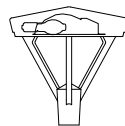
**PT**  
 Post Top



**WB**  
 Wall Bracket

**4. Optics**

**Horizontal**



**Description:**

**Matrix #:**



**H2**  
 TYPE 2



**H3**  
 TYPE 3



**H4**  
 TYPE 4

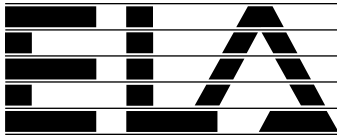


**H5**  
 TYPE 5

**5. Ballast**

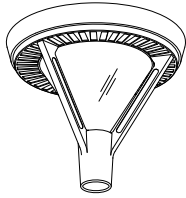
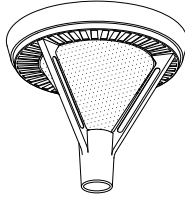
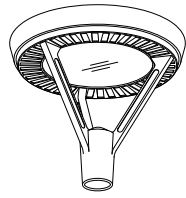
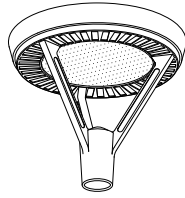
Description:	Incandescent	Metal Halide	High Pressure Sodium	Compact Fluorescent	Induction Tubular Type	Induction Bulb Type
Pulse Start Metal Halide (Watts / Type)	(Watts / Type)	(Watts / Type)	(Watts / Type)	(Watts / Type)	(Watts / Type)	(Watts / Type)
<b>Matrix #:</b>	<b>INC</b>	<b>50MH</b>	<b>50HPS</b>	<b>18CFL</b>	<b>40iT</b>	<b>35iB</b>
		<b>70MH</b>	<b>70HPS</b>	<b>26CFL</b>	<b>70iT</b>	<b>55iB</b>
		<b>100PSMH</b>	<b>100HPS</b>	<b>32CFL</b>	<b>80iT</b>	<b>85iB</b>
		<b>150PSMH</b>	<b>150HPS</b>	<b>42CFL</b>	<b>100iT</b>	<b>100iB</b>
		<b>175PSMH</b>		<b>57CFL</b>		
		<b>200PSMH</b>		<b>60CFL</b>		
		<b>400PSMH</b>			Induction Circular Type (Watts / Type)	
	<b>LED</b>				<b>40iC</b>	
	(Watts / Type)				<b>70iC</b>	
	<b>40LED</b>				<b>80iC</b>	
	<b>75LED</b>				<b>100iC</b>	
	<b>135LED</b>				<b>120iC</b>	

**Notes:**  
 1. Electronic ballast available for 50, 70, 100, 150, 200, and 250 watt MH lamps.  
 2. Other wattages and ballasts available. Consult factory.  
 3. ED17 lamp is 150W max and ED28 lamp is 400W max.



<b>6. Voltage</b>	<b>Matrix #:</b>	<b>120 *</b>	<b>208</b>	<b>240</b>	<b>277 *</b>	<b>347</b>	<b>480</b>
	<b>Description:</b>	120V	208V	240V	277V	347V	480V


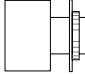
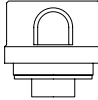
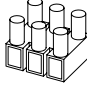
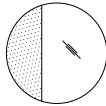
\* Only these voltages are available with LED.

<b>7. Lens</b>				
	<b>CA</b> Clear Acrylic	<b>FA</b> Frosted Acrylic	<b>DSCG</b> Clear Glass (Dark Skies)	<b>DSFG</b> Frosted Glass (Dark Skies)

**Notes:**  
Consult factory for custom lens.

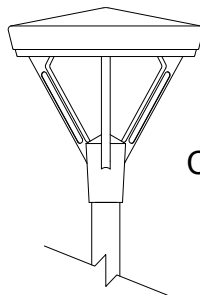
<b>8. Color</b>	<b>Powder Coat Finish</b>	<b>Hand-Applied Finish</b>																																											
	<table border="0"> <tr><td><b>Matrix #</b></td><td><b>Description</b></td><td><b>Matrix #</b></td><td><b>Description</b></td></tr> <tr><td><b>AG</b></td><td>Augustine Green</td><td><b>MG</b></td><td>Malaga Green</td></tr> <tr><td><b>GY</b></td><td>Architectural Grey</td><td><b>MN</b></td><td>Midnight</td></tr> <tr><td><b>CC</b></td><td>Charcoal</td><td><b>PW</b></td><td>Pewter</td></tr> <tr><td><b>CY</b></td><td>Clay</td><td><b>SS</b></td><td>Sand Storm</td></tr> <tr><td><b>DB</b></td><td>Dark Bronze</td><td><b>SB</b></td><td>Statuary Bronze</td></tr> <tr><td><b>HR</b></td><td>Harbor Blue</td><td><b>VL</b></td><td>Village Green</td></tr> <tr><td><b>HP</b></td><td>Hammered Pewter</td><td><b>W</b></td><td>White</td></tr> </table>	<b>Matrix #</b>	<b>Description</b>	<b>Matrix #</b>	<b>Description</b>	<b>AG</b>	Augustine Green	<b>MG</b>	Malaga Green	<b>GY</b>	Architectural Grey	<b>MN</b>	Midnight	<b>CC</b>	Charcoal	<b>PW</b>	Pewter	<b>CY</b>	Clay	<b>SS</b>	Sand Storm	<b>DB</b>	Dark Bronze	<b>SB</b>	Statuary Bronze	<b>HR</b>	Harbor Blue	<b>VL</b>	Village Green	<b>HP</b>	Hammered Pewter	<b>W</b>	White	<table border="0"> <tr><td><b>Matrix #</b></td><td><b>Description</b></td></tr> <tr><td><b>CH</b></td><td>Cracked Hide</td></tr> <tr><td><b>LV</b></td><td>Light Verde</td></tr> <tr><td><b>OR</b></td><td>Old Iron</td></tr> <tr><td><b>R</b></td><td>Rust</td></tr> <tr><td><b>V</b></td><td>Verde</td></tr> </table>	<b>Matrix #</b>	<b>Description</b>	<b>CH</b>	Cracked Hide	<b>LV</b>	Light Verde	<b>OR</b>	Old Iron	<b>R</b>	Rust	<b>V</b>
<b>Matrix #</b>	<b>Description</b>	<b>Matrix #</b>	<b>Description</b>																																										
<b>AG</b>	Augustine Green	<b>MG</b>	Malaga Green																																										
<b>GY</b>	Architectural Grey	<b>MN</b>	Midnight																																										
<b>CC</b>	Charcoal	<b>PW</b>	Pewter																																										
<b>CY</b>	Clay	<b>SS</b>	Sand Storm																																										
<b>DB</b>	Dark Bronze	<b>SB</b>	Statuary Bronze																																										
<b>HR</b>	Harbor Blue	<b>VL</b>	Village Green																																										
<b>HP</b>	Hammered Pewter	<b>W</b>	White																																										
<b>Matrix #</b>	<b>Description</b>																																												
<b>CH</b>	Cracked Hide																																												
<b>LV</b>	Light Verde																																												
<b>OR</b>	Old Iron																																												
<b>R</b>	Rust																																												
<b>V</b>	Verde																																												

**Notes:**  
Consult factory for custom colors.

<b>9. Options</b>					
	<b>Matrix #:</b> <b>BBU</b>	<b>PCB</b>	<b>PCR</b>	<b>TB</b>	<b>HSS</b>
<b>Notes:</b> 1) BBU option is available for fluorescent lamp only. 2) Test button location shall have visibility for testing on site. Consult factory for placement location.	<b>Description:</b> Battery Backup	Photocell Button	Photocell receptacle <i>Twist Lock by others</i>	Terminal Block	House Side Shield

**Photocell Options:**  
Photocell is available in 120 thru 480 volts.  
Photocell receptacle only fits some cross arms. Consult factory. Specify when ordering.

**Fixture Ordering Example:**



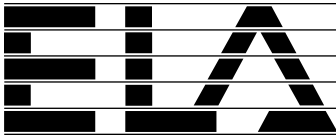
CHU/28/PT/H5/100MH/120/DSFG/CY

1	2	3	4	5	6	7	8	9
Fixture	Size	Mounting	Optics	Ballast	Voltage	Lens	Color	Option
CHU	28	PT	H5	100MH	120	DSFG	CY	-
Chute Fixture	28	Post Top	Horizontal Type 5	100 Watt Metal Halide	120 Volts	Frosted Glass Dark Skies	Clay	-

**Fixture Ordering Form:**

1	2	3	4	5	6	7	8	9	9	9
Fixture	Size	Mounting	Optics	Lamp	Voltage	Lens	Color	Option	Option	Option

1. CHU / \_\_\_\_\_ / \_\_\_\_\_ / \_\_\_\_\_ / \_\_\_\_\_ / \_\_\_\_\_ / \_\_\_\_\_ / \_\_\_\_\_ / \_\_\_\_\_ / \_\_\_\_\_ / \_\_\_\_\_



# Specifications

**Fixture Housing:** One-piece sand-cast. Housing shall be corrosion resistant cast aluminum alloy #A356. The housing shall be free of any foreign materials or cosmetic fillers. Standard fitters shall slip over 4" tenon. Please consult factory for other options. For wall and arm mounts, consult factory for installation.

**Optics:** Units shall be spun or segmented sharp cut-off optics. Specular Alzak® optical segments are rigidly mounted within a sand-cast, low copper (<0.6% Cu) aluminum alloy enclosure. All sockets are factory prewired. The optical segments are positioned so that reflected light does not pass through the lamp arc tube to achieve maximum lamp output.

**Electrical Module:** All electrical components are UL and CSA recognized, mounted on a single plate, and factory prewired. Reference pages 2 and 3 for lamp characteristics, ballast types, and voltage technical data.

**Lens:** All lens options have continuous gasketing all around (sealed from water and insect entry). The acrylic lens shall be a minimum 3/16" thick, factory installed. The Dark Skies lens shall be 1/8" thick tempered glass, factory installed.

**Finish/Color:** Finish is super TGIC thermoset polyester powder coat paint. ELA offers RAL color matches along with our standard color selection. Custom and hand applied colors are available upon special request.

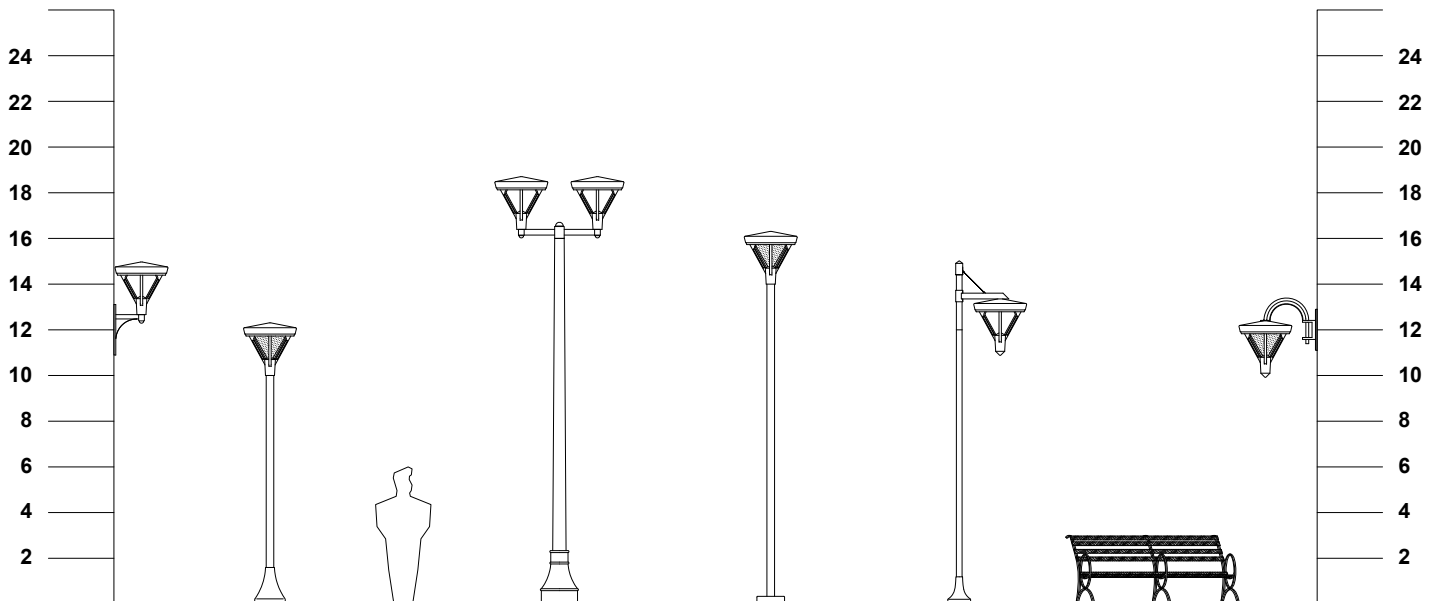
**Certification:** Fixtures shall be listed for outdoor, wet location. UL1598. IP rating 65.

**CAUTION:** Fixtures must be grounded in accordance with national, state, and/or local codes. Failure to do so may result in serious personal injury.

**ELA RESERVES THE RIGHT TO CHANGE SPECIFICATIONS WITHOUT NOTICE.**

# Elevated Scale

Suggested Poles and Arms for the Chute Fixture



<b>Fixture :</b>	CHU/28/WB	CHU/28/PT	CHU/28/IP	CHU/28/PT	CHU/28/IP	CHU/28/WB
<b>Arm :</b>	BR42		CR43B Inverted		CR21A	BR14
<b>Pole:</b>		P4014B-10'	P3040G-16'	P1012B-14'	P3014A-12'	
<b>Options :</b>						

Note: Modifications to the fixture and additional pole heights are available.