

Project Name:	Type:
Notes:	Order Matrix Number:

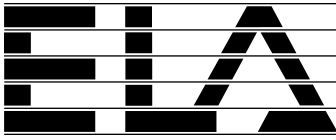
# ARCOS



*Arcos* means Arches in Spanish, and that's what ELA has used to design this new classic wall sconce. Available with a selection of lenses, with or without a grill, the *Arcos* is a great choice for many applications that require an outdoor wall to be washed with light. The options of having a lens or closed top and/or bottom allows the *Arcos* to be specified with an up-light and/or down-light and/or a simple illumination through the front lens. The *Arcos* is the perfect specification for shopping malls, restaurants, hotels, retail stores, museums, schools, libraries, theaters, entrances, high-end residential applications, and much more.

Constructed of high grade cast aluminum and finished with a durable powder-coated finish, the *Arcos* is built and sealed for all outdoor conditions, but is suitable for many indoor applications as well. Available in up to a maximum 70 watt Metal Halide or High Pressure Sodium, the *Arcos* can also accommodate today's Low-Energy requirements with up to 75 watt LED or 70 watt Induction sources while still maintaining excellent light output.

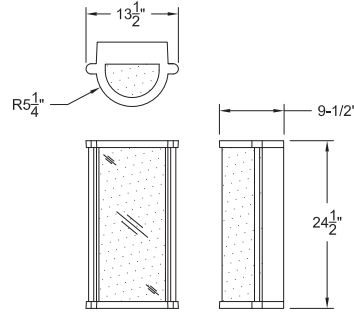
The *Arcos* offers unique contemporary styling, extraordinary durability, and an excellent choice for lighting the wall of any upscale structure.



1	2	3	4	5	6	7	8	9
Fixture /	Size /	Mounting /	Optics /	Ballast /	Voltage /	Lens /	Color /	Option
<b>ARC /</b>	<b>24 /</b>	<b>WB /</b>	<b>OP /</b>	<b>70MH /</b>	<b>120 /</b>	<b>FA /</b>	<b>CY /</b>	<b>GR</b>

**1. Fixture: ARC**

**2. Size**

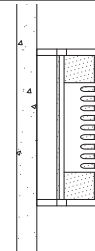


**24**

Max Wattage 70W  
1.6  
30 lbs.

Matrix #:  
Description:  
Notes:  
EPA:  
Weight:

**3. Mounting**

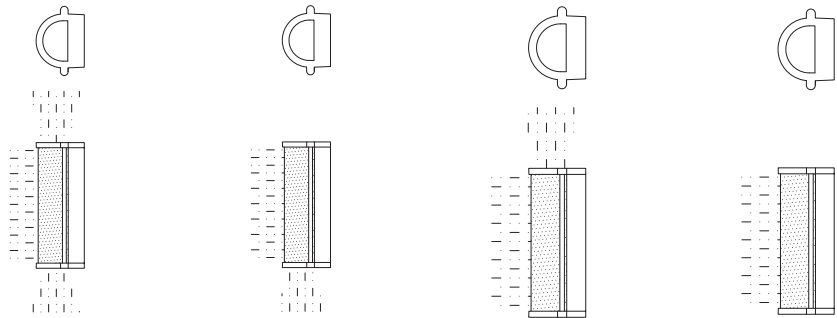


**WB**

Wall Bracket

Matrix #:  
Description:

**4. Optics**



Matrix #:  
Description:

**OP**  
Illuminated Front,  
Top, and Bottom  
Ends

**CT**  
Illuminated Front  
and Bottom Ends  
Closed Top End

**CB**  
Illuminated Front  
and Top Ends  
Closed Bottom End

**CE**  
Illuminated Front  
Closed Top and  
Bottom Ends

Notes:  
1. Reflector is a painted white finish. Consult factory for custom options.

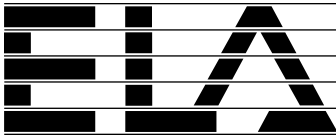
**5. Ballast**

Description:	Pulse Start Metal Halide (Watts / Type)	Incandescent (Watts / Type)	Metal Halide (Watts / Type)	High Pressure Sodium (Watts / Type)	Compact Fluorescent (Watts / Type)	Induction Tubular Type (Watts / Type)	Induction Bulb Type (Watts / Type)
Matrix #:	50PSMH 70PSMH	INC	50MH 70MH T6 70MH	50HPS 70HPS	18CFL 26CFL 32CFL 42CFL	40iT 70iT	35iB 55iB

Notes:  
1. Electronic ballast available for 50 and 70 watt MH lamps.  
2. Other wattages and ballasts available. Consult factory.

LED  
(Watts / Type)  
**40LED**  
**75LED**





# Specifications

**Fixture Housing:** One-piece sand-cast. Housing shall be corrosion resistant cast aluminum alloy #A356. The housing shall be free of any foreign materials or cosmetic fillers. Please consult factory for other options. For wall mounts, consult factory for installation.

**Optics:** Units have a sheet metal fabricated reflector and are rigidly mounted within a sand-cast, low copper (<0.6% Cu) aluminum alloy enclosure. An optional quick-disconnect plug for the ballast module is available when specified.

**Electrical Module:** All electrical components are UL and CSA recognized, mounted on a single plate, and factory prewired.  
*Reference pages 2 and 3 for lamp characteristics, ballast types, and voltage technical data.*

**Lens:** Acrylic front and end lenses to be a minimum of .1875" thickness. All lenses to be factory installed with continuous sealant.

**Finish/Color:** Finish is super TGIC thermoset polyester powder coat paint. ELA offers RAL color matches along with our standard color selection. Custom and hand applied colors are available upon special request.

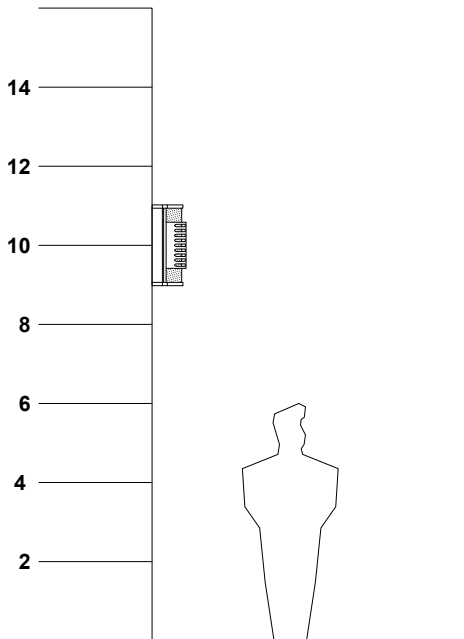
**Certification:** Fixtures shall be listed for outdoor, wet location. UL1598. IP rating 65.

**CAUTION:** Fixtures must be grounded in accordance with national, state, and/or local codes. Failure to do so may result in serious personal injury.

**ELA RESERVES THE RIGHT TO CHANGE SPECIFICATIONS WITHOUT NOTICE.**

# Elevated Scale

Suggested Mounting Height  
for the Arcos Fixture



**Fixture :** ARC/24/WB  
**Arm :**  
**Pole:**  
**Options :** GR