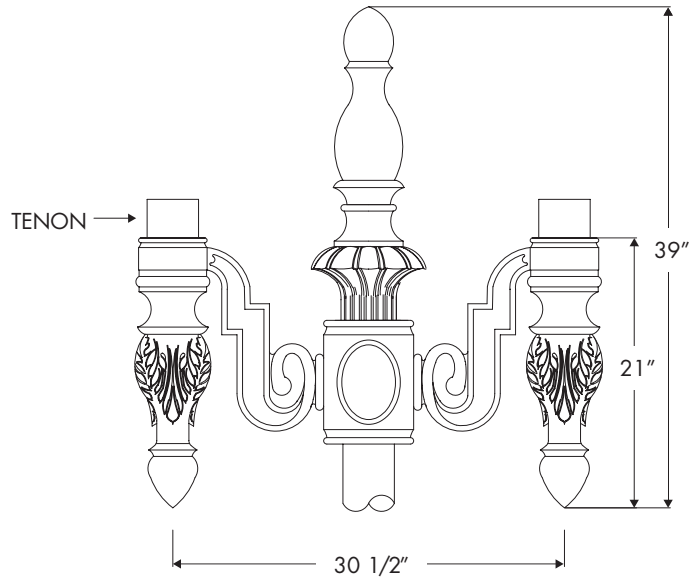
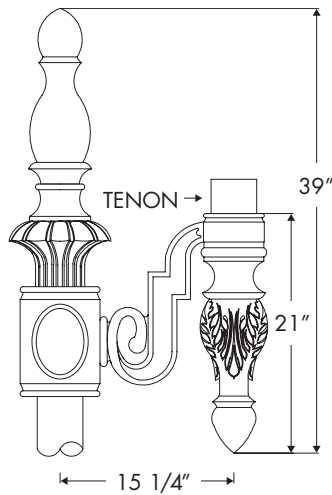


Note: Specifications are subject to change without notice. Always consult factory.



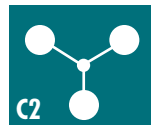
**CR-26B**



**CR-26A**

*Durable Cast and Extruded Aluminum Construction*

**CONFIGURATIONS**



**Environmental Lighting for Architecture, Inc.**  
17891 Arenth Avenue, City of Industry, CA 91748-1197  
626.965.0821 • 800.423.6561 • fax 626.965.9494  
www.ela-lighting.com