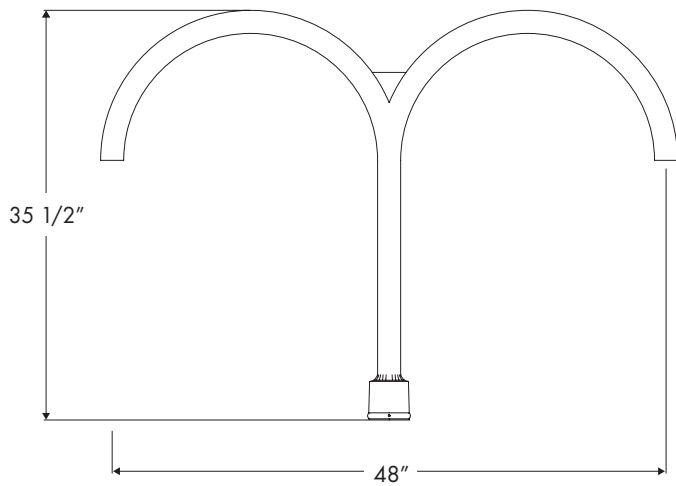
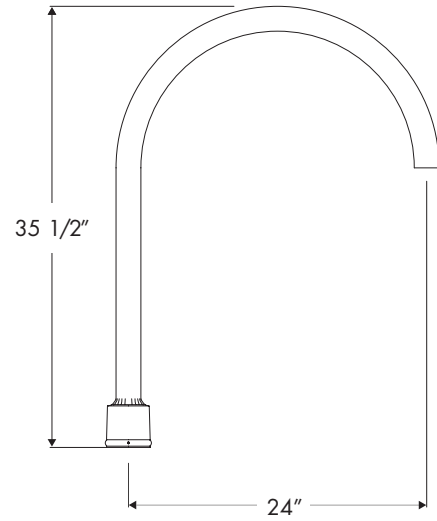


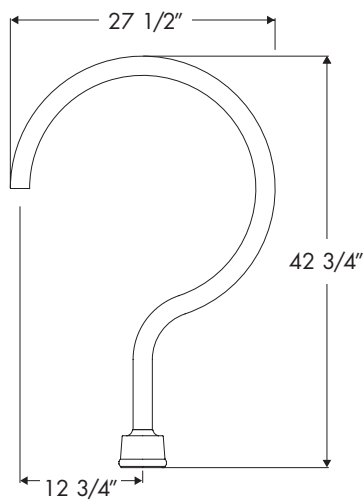
Note: Specifications are subject to change without notice. Always consult factory.



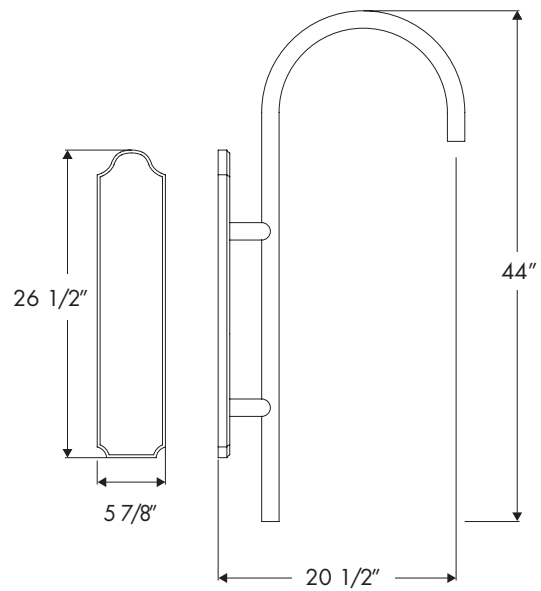
CR-17B



CR-17A



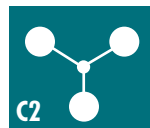
CR-18



BR-17

Durable Cast and Extruded Aluminum Construction

CONFIGURATIONS



Environmental Lighting for Architecture, Inc.
 17891 Arenth Avenue, City of Industry, CA 91748-1197
 626.965.0821 • 800.423.6561 • fax 626.965.9494
www.ela-lighting.com